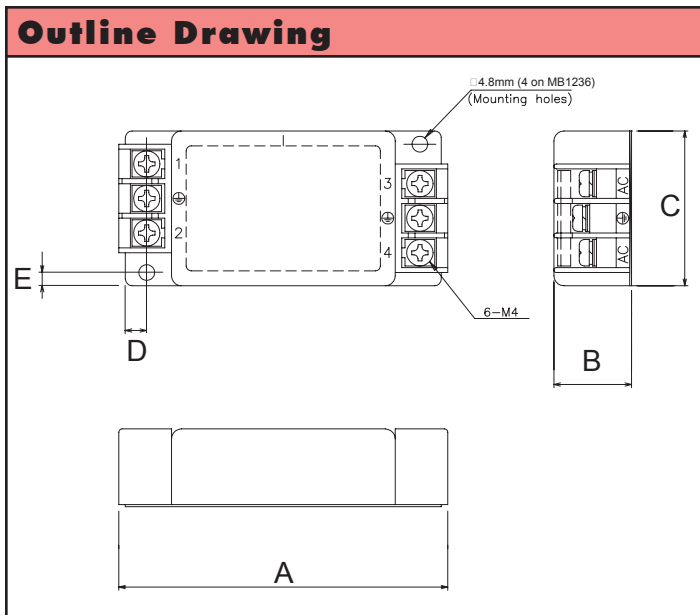




- Features**
- ◆ High Attenuation Wide Band Two Stage Filter
 - ◆ Screw Terminals with Cover
 - ◆ Low Profile, Metal Case

Specifications		MODELS	MB1206	MB1210	MB1216	MB1220	MB1236	
ITEMS								
Rated Voltage (AC,DC)	V	250V						
Rated Current (AC,DC) (1)	A	6	10	16	20	36		
Test Voltage (terminal to case, AC 1 min.)	V	2500V (20mA) at 25°C, 70% RH						
Isolation Resistance (terminal to case, 500VDC)	Ω	100M Ohms min. at 25°C, 70% RH						
Leakage Current	-	125V, 60Hz =0.5mA max.; 250V, 60Hz =1mA max.						
DC Resistance	mΩ	140	50	34	20	9		
Temperature Rise	°C	40°C max.						
Operating Temperature (1)	°C	-25 to +85°C						
Operating Humidity	%	30% to 95% RH (non-condensing)						
Storage Temperature	°C	-40 to +85°C						
Storage Humidity	%	10% to 95% RH (non-condensing)						
Vibration	-	Sweep:10-55-10Hz (1min.), Amplitude 1.5mm X, Y, and Z axes, 2 hours each						
Safety Standard	-	UL1283, CSA C22.2 No.8 (C-UL), VDE0565 Teil3, Teil3A2, and EN133200 (VDE)						

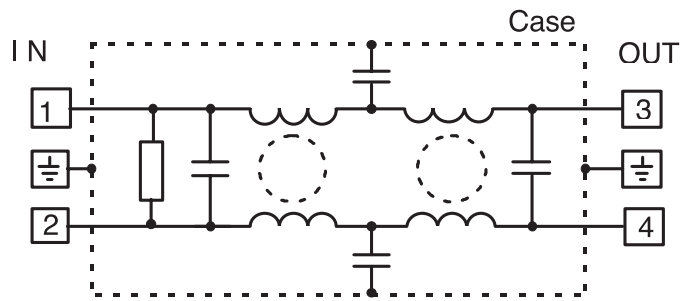
Notes:
 (1) Value at Ta ≤ 35°C. Refer to the derating curve at Ta > 35°C.



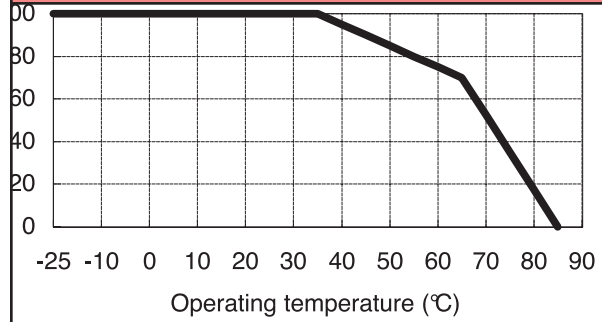
Dimensions

Model	A	B	C	D	E	Weight (g)
MB1206	100	23.6	47	6.5	4	190
MB1210	107	26	47	6.5	4	220
MB1216	117	30	47	6.5	4	310
MB1220	151	35	52	6.5	4	530
MB1236	151	35	67	7.5	6.5	660

Circuit

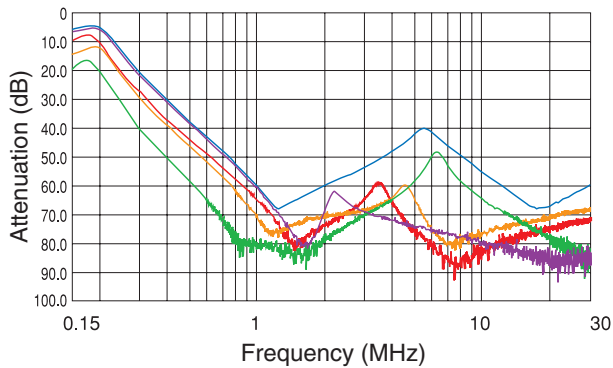


Derating



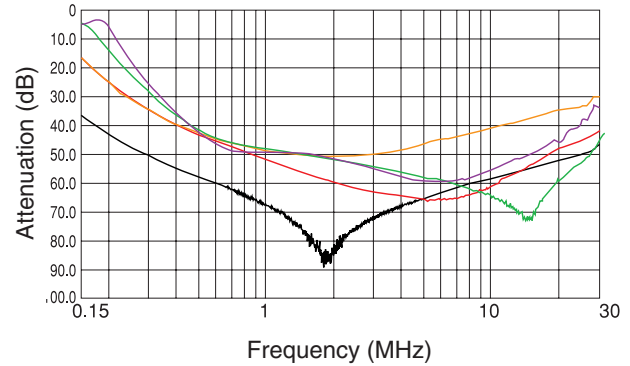
Typ. Insertion Loss, Symmetrical

MB1206 MB1210 MB1216 MB1220 MB1236



Typ. Insertion Loss, Asymmetrical

MB1206 MB1210 MB1216 MB1220 MB1236



For Additional Information, please visit us.tdk-lambda.com/lp/products/mb-series.htm