

C. W. Webster 5-21-72  
 APPROVED BY/DATE

6  
 REV

**SAFETY ORGANIZATION(S):**

THIS FILTER HAS BEEN FORMALLY RECOGNIZED, CERTIFIED OR APPROVED BY THE LISTED AGENCY. THEREFORE, ALL TEST/REQUIREMENTS SPECIFIED IN THE LATEST REVISION OF THE FOLLOWING AGENCY STANDARDS HAVE BEEN MET.

UL 1283  
 CSA 22.2, NO.0,0,4,8  
 VDE 565-3

**OPERATING SPECIFICATIONS:**

LINE VOLTAGE/CURRENT: 20 AMP., 120/250 VAC  
 16 AMP./40°C, 250 VAC  
 LINE FREQUENCY: 50-60Hz  
 40°C  
 MAX. CASE RISE  $\theta$  RATED CURRENT: 0.5mA at 120V 60 Hz  
 MAX. LEAKAGE CURRENT, EACH LINE TO GROUND: 1.0 mA at 250V 50 Hz  
 OPERATING AMBIENT TEMP. RANGE: -10°C TO +40°C  $\theta$  RATED CURRENT,  $I_r$

IN AN AMBIENT,  $T_a$ , HIGHER THAN 40°C, THE MAXIMUM OPERATING CURRENT,  $I_o$ , IS AS FOLLOWS:

$$I_o = I_r \sqrt{\frac{85 - T_a}{45}}$$

**RELIABILITY SPECIFICATIONS:**

STORAGE TEMPERATURE: -40°C TO +85°C  
 HUMIDITY: 21 DAYS  $\theta$  40°C 95% RH  
 CURRENT OVERLOAD TEST: 6 TIMES RATED CURRENT FOR 8 SECONDS

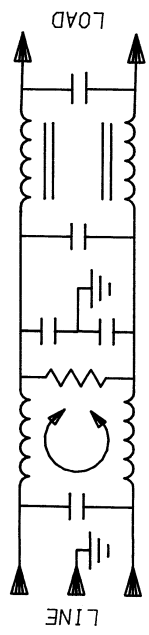
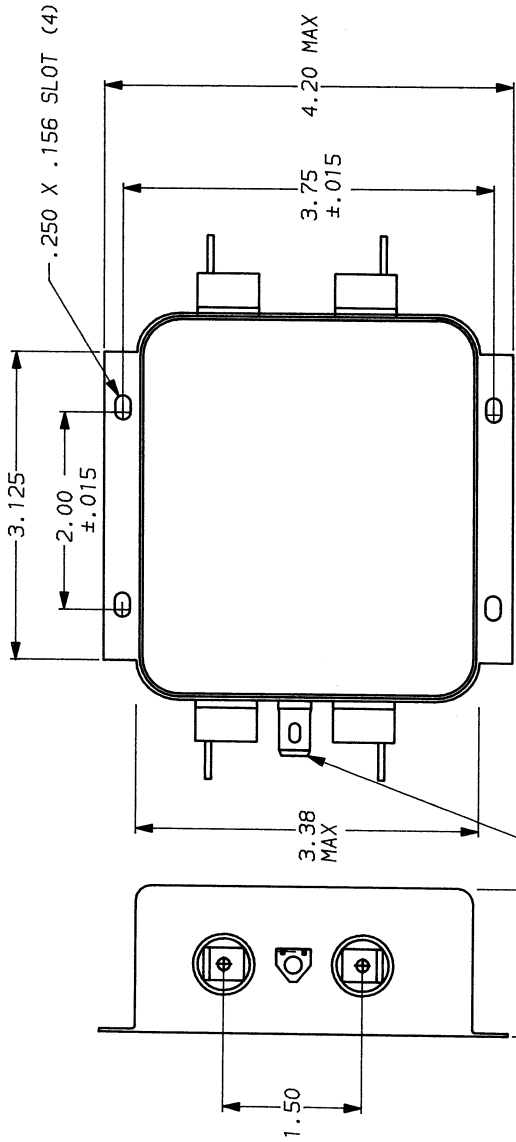
**TEST SPECIFICATIONS:**

INDUCTANCE: 1.8 mH NOMINAL  
 CAPACITANCE: MEASURED @ 1 KHz, 0.25 VAC MAX., 25°C  $\pm$ 1°C  
 LINE TO GROUND: .011  $\mu$ F  $\pm$ 20%  
 LINE TO LINE: 1.08  $\mu$ F  $\pm$ 20%  
 DISCHARGE RESISTOR: 330 K $\Omega$   
 LINE/GROUND AND LINE/LINE INSULATION RESISTANCE: 6000 M $\Omega$  (MIN) AT 100 VDC  
 (W/O DISCHARGE RESISTOR) 20°C AND 50% RH

**RECOMMENDED RECEIVING INSPECTION HIPOT:**

LINE TO GROUND: 2250 VDC FOR 1 MINUTE  
 LINE TO LINE: 1450 VDC FOR 1 MINUTE

FILTER APPROVAL:  
 THE BEST WAY TO SELECT AND QUALIFY A FILTER IS FOR YOUR ENGINEERING TO TEST THE UNIT IN YOUR EQUIPMENT.



FREQUENCY MHZ	50 $\Omega$ - 50 $\Omega$ (MINIMUM) INSERTION LOSS									
	.15	.5	1	2	5	10	20	30		
COMMON	15	30	41	49	60	46	36	30		
DIFF. dB	25	65	65	65	65	60	57	55		

This document is proprietary to CORCOM INC. and is not to be reproduced nor used for manufacturing purposes except on CORCOM's order or prior written consent.

TOLERANCE EXCEPT AS NOTED  
 DECIMAL: .XXX .XX .X ANGLES  $\pm$ 1°  
 ENGLISH:  $\pm$ .025  
 METRIC:  $\pm$   
 MATERIAL: AS SUPPLIED  
 FINISH: AS SUPPLIED

**corcom**  
 LIBERTYVILLE, IL 60048

**P** **corcom**  
 LIBERTYVILLE, IL 60048

POWER LINE FILTER

SCALE DATE DRG. NO. REV.  
 NTS 9-12-89 20VV1.06  
 DRW. BY: TDL OPERATOR: CW