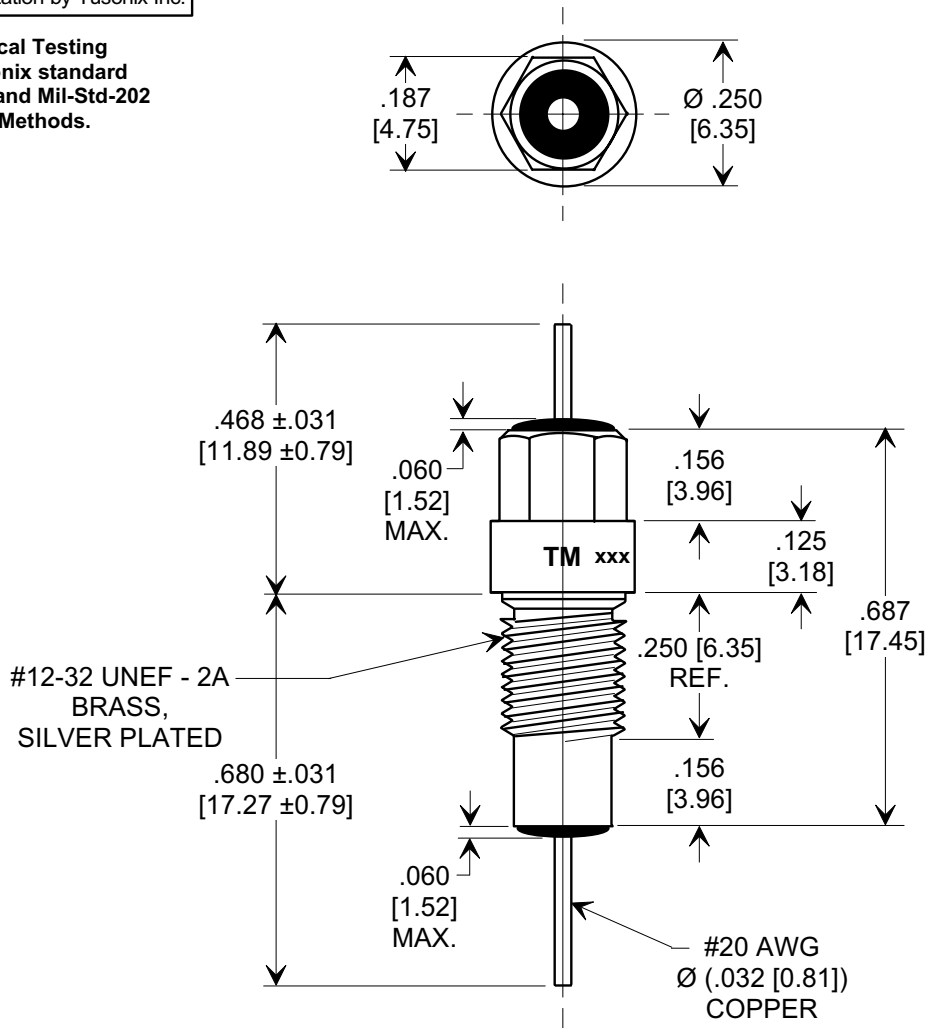
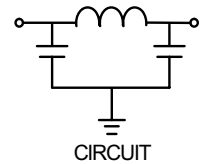
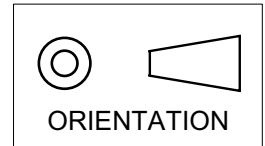


# MARKETING SALES DRAWING

**DIMENSIONS IN INCHES - DO NOT SCALE THIS DRAWING**  
**DIMENSIONS IN METRIC - [ ]**

This drawing is the property of Tusonix, Inc., and may not be used, reproduced, published or disclosed to others without expressed authorization by Tusonix Inc.

**Electrical Testing**  
**per Tusonix standard**  
**test plans and Mil-Std-202**  
**Test Methods.**



**NOTES:**

- TUSONIX STANDARD PART NUMBER: 4253-002.  
 TUSONIX RoHS COMPLIANT PART NUMBER: 4253-002 LF.  
 CUSTOMER MUST SPECIFY STANDARD OR RoHS PART NUMBER WHEN ORDERING.
- LEAD FINISH: SILVER PLATED.
- PART MARKING: TRADEMARK AND VARIATION NUMBER ON HEX FLATS.  
 STANDARD PART: BLACK INK. RoHS PART: GREEN INK.
- SUPPLIED WITH SILVER PLATED COPPER ALLOY HEX NUT AND INTERNAL TOOTH LOCK WASHER.

MIN. CAP.(pf)	+125 °C WORKING VOLTAGE	CURRENT DC	I.R. MIN. @ 100 (VDC)	DWV (VDC)	MINIMUM NO LOAD INSERTION LOSS (dB) AT 25°C PER MIL-STD-220				
					1 MHz	10 MHz	100 MHz	1GHz	10 GHz
50,000	70 VDC	10A	10 G Ω	175	15	60	75	75	75

X-2015 Rev-0	<b>REVISION RECORD</b>		<b>TUSONIX</b> TUCSON, ARIZONA	--TOLERANCES-- Unless Otherwise Specified		Title <b>MULTILAYER BUSHING STYLE EMI FILTER</b>	
	Original Release C.O. <b>20011210-2-09</b>	<b>0</b>		DECIMAL ± .015 [0.38]	Drawn S.M. 12-18-01		
	ADDED NOTES 1-4. S.M. 10-06-05	<b>1</b>		ANGLES ±	Approved B.Mc. 12-18-01		
	<b>20050927-10-05</b> CORRECTED P/N NOTE 1. ADDED IR & DWV/S.M. 03-16-06	<b>2</b>		<b>20060315-5-01</b>	<b>A</b>	<b>4253-002</b>	