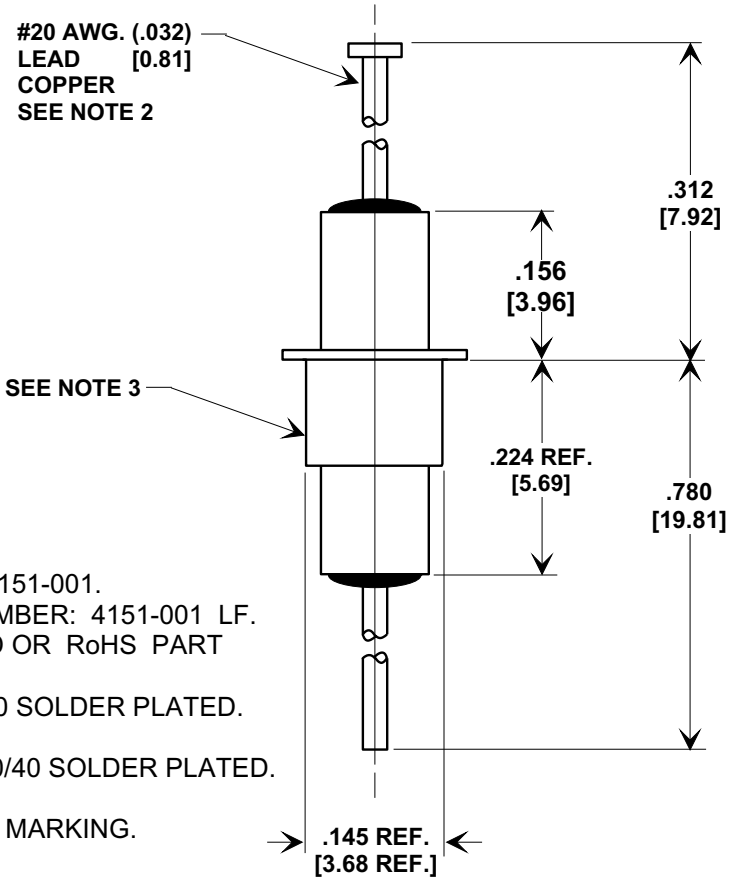
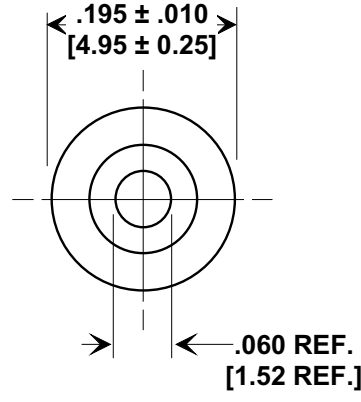
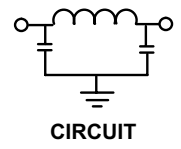
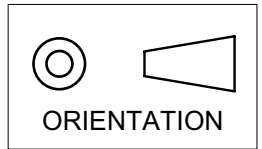


MARKETING SALES DRAWING

DIMENSIONS IN INCHES - DO NOT SCALE THIS DRAWING
DIMENSIONS IN METRIC - []

Electrical Testing
 per Tusonix standard
 test plans and Mil-Std-202
 Test Methods.



NOTES:

- TUSONIX STANDARD PART NUMBER: 4151-001.
 TUSONIX RoHS COMPLIANT PART NUMBER: 4151-001 LF.
 CUSTOMER MUST SPECIFY STANDARD OR RoHS PART NUMBER WHEN ORDERING.
- LEAD FINISH: STANDARD PART #: 60/40 SOLDER PLATED.
 RoHS PART #: SILVER PLATED.
- EYELET FINISH: STANDARD PART #: 60/40 SOLDER PLATED.
 RoHS PART #: SILVER PLATED.
- PART MARKING: STANDARD PART: NO MARKING.
 RoHS PART: GREEN DOT ON BODY.

MIN. CAP.	85°C Working Voltage	125°C Working Voltage	Current IDC	DWV @ 2 SEC. MIN.	I.R. @ 100 (VDC.)	Minimum No Load Insertion Loss (dB) at 25°C per Mil-Std-220			
						10 MHz	100 MHz	1 GHz	10 GHz
22,000 pF	100 VDC	70 VDC	10 A	250 VDC	10 G MIN	35	70	70	70

X-2015 Rev-0 REVISION RECORD Original Release C.O. 6611 DIM'S REVISED E.C. 5-26-92 C.O. 6667 DWG. WAS EXISTING SHOULD HAVE BEEN REVISED PER C.O. 20040128-1-01 NOT NEW RELEASE L.E. 02-02-04 20040202-4-01 ADDED NOTES. S.M. 05-10-05 20050428-1-02	0	MULTILAYER EYELET STYLE EMI FILTER	Title		
	--TOLERANCES-- Unless Otherwise Specified		Drawn L.E. 01-28-04		
	DECIMAL ± .031[0.79]		Scale 5 X		
	ANGLES ±		Approved B.Mc. 01-28-04		
TUSONIX TUCSON, ARIZONA		A	4151-001		