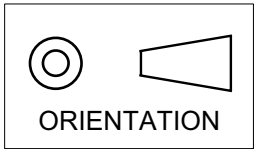
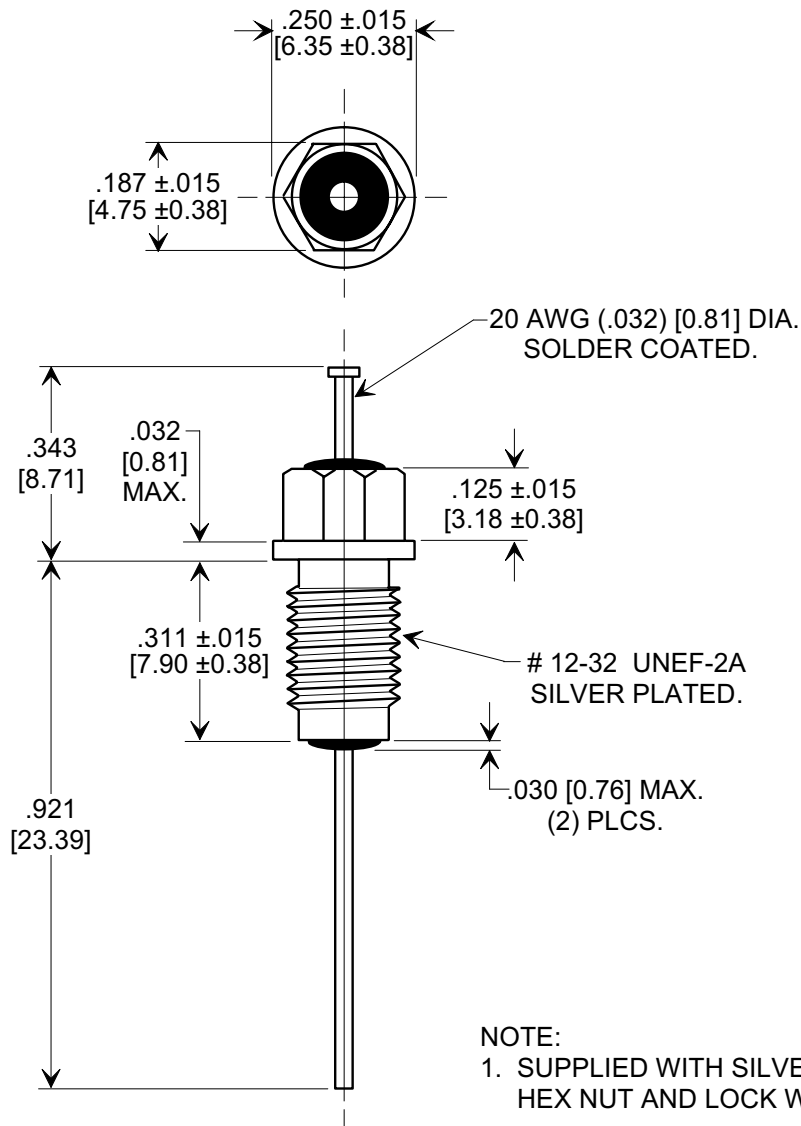
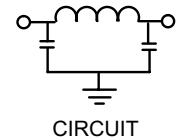


**MARKETING SALES DRAWING**  
**DIMENSIONS IN INCHES - DO NOT SCALE THIS DRAWING**  
**DIMENSIONS IN METRIC - [ ]**

This drawing is the property of Tusonix, Inc., and may not be used, reproduced, published or disclosed to others without expressed authorization by Tusonix Inc.



**Electrical Testing**  
per Tusonix standard  
test plans and Mil-Std-202  
Test Methods.



**NOTE:**  
1. SUPPLIED WITH SILVER PLATED HEX NUT AND LOCK WASHER.

MIN. CAP. (pF)	WORKING VOLTAGE (VVdc)		CURRENT IDC	MINIMUM NO LOAD INSERTION LOSS (dB) AT 25°C PER MIL-STD -220			
	85°C	125 °C		50 MHz	100 MHz	1 GHz	10 GHz
5000	200	100	10 A	50	65	70	70

<b>REVISION RECORD</b> Original Release C.O. 20070529-3-01 0	TOLERANCES unless otherwise specified 2 PLC. DECIMAL ± // // // 3 PLC. DECIMAL ± .031 [0.79]	Title <b>M15733/61-0010 BUSHING STYLE EMI FILTER</b>	
	ANGLES ± // // //	Drawn S.M. 05-29-07	Scale X 3
	<b>TUSONIX</b> TUCSON, ARIZONA	Approved R.L. 05-29-07	
	<b>A</b>	<b>4203-553</b>	

X-2015 Rev-0