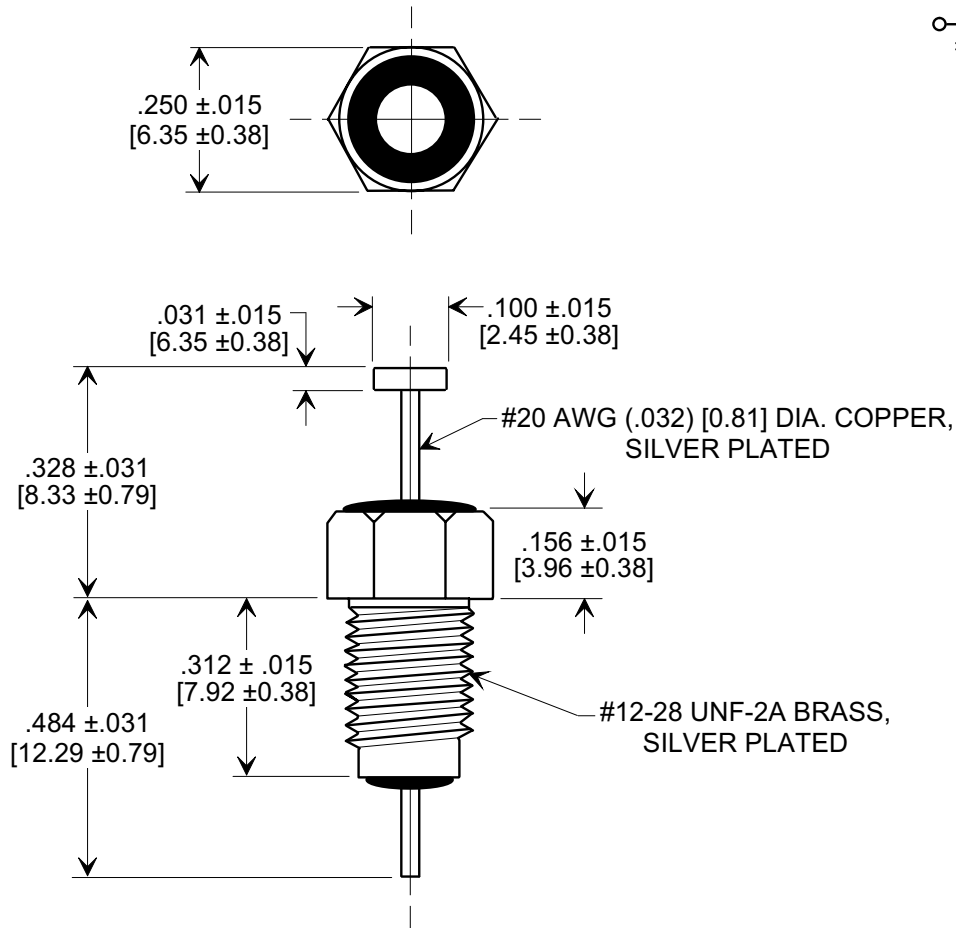
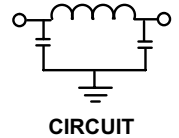
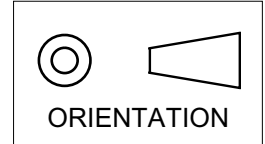


MARKETING SALES DRAWING
DIMENSIONS IN INCHES - DO NOT SCALE THIS DRAWING
DIMENSIONS IN METRIC - []

Electrical Testing
per Tusonix standard
test plans and Mil-Std-202
Test Methods.



NOTES:

- SUPPLIED WITH SILVER PLATED HEX NUT AND LOCK WASHER.
- TUSONIX STANDARD PART NUMBER: 4202-021.
TUSONIX RoHS COMPLIANT PART NUMBER: 4202-021 LF.
CUSTOMER MUST SPECIFY STANDARD OR RoHS PART NUMBER WHEN ORDERING.
- PART MARKING: TRADEMARK AND VARIATION NUMBER ON HEX FLATS.
STANDARD PART: BLACK INK. RoHS PART: GREEN INK.

MIN. CAP. (pF)	WORKING VOLTAGE (VVdc)		CURRENT (Idc)	DWV (VDC)	I.R. MIN. @ 100 VDC	MINIMUM NO LOAD INSERTION LOSS (dB) AT 25°C PER MIL-STD -220			
	85°C	125 °C				10 MHz	100 MHz	1 GHz	10 GHz
1500	350	200	10 A	700	10 G	5	45	70	70

X-2015 Rev-0	REVISION RECORD			--TOLERANCES-- Unless Otherwise Specified	Title		
	Original Release C.O. 1617	0			BUSHING STYLE EMI FILTER		
	CURRENT UNIT "A" ADDED. L.E. 8-20-85	1		DECIMAL ±	Drawn	S.M. 02-12-02	Scale ₃ X
	RDN TO COMP FMT & ADDED METRIC. S.M. 02-12-02	2		ANGLES ±	Approved	T.C. 02-12-02	
ADDED NOTES 2, 3 & REF. TO PLATING ON LEAD & BUSHING. S.M. 05-18-05	20020213-3-09	2		TUSONIX TUCSON, ARIZONA	A	4202-021	
20050503-6-13	3						