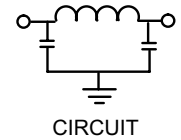
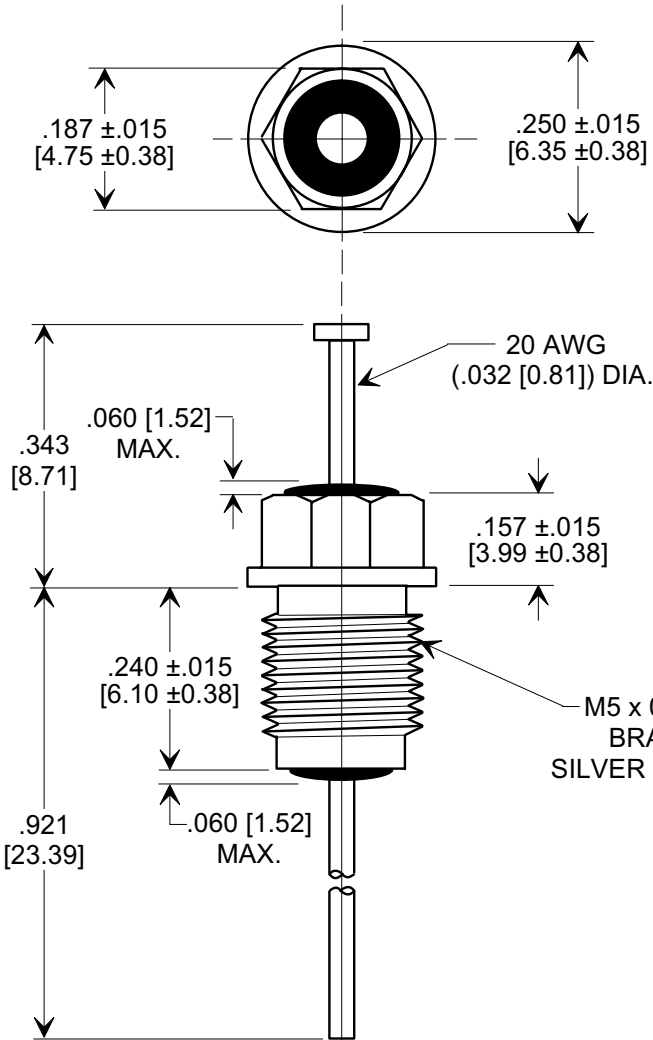
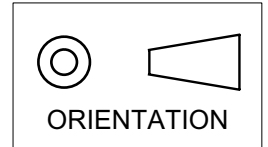


**MARKETING SALES DRAWING**  
**DIMENSIONS IN INCHES - DO NOT SCALE THIS DRAWING**  
**DIMENSIONS IN METRIC - [ ]**

Electrical Testing  
per Tusonix standard  
test plans and Mil-Std-202  
Test Methods.



**NOTES:**

- TUSONIX STANDARD PART NUMBER: 4209-003.  
TUSONIX RoHS COMPLIANT PART NUMBER: 4209-003 LF.  
CUSTOMER MUST SPECIFY STANDARD OR RoHS PART NUMBER WHEN ORDERING.
- LEAD FINISH: STANDARD PART #: 60/40 SOLDER PLATED. RoHS PART #: SILVER PLATED.
- PART MARKING: TRADEMARK AND VARIATION NUMBER ON HEX FLATS.  
STANDARD PART: BLACK INK. RoHS PART: GREEN INK.
- SUPPLIED WITH SILVER PLATED HEX NUT AND INTERNAL TOOTH LOCK WASHER.

MIN. CAP. (pF)	WORKING VOLTAGE (WVdc)		CURRENT IDC	MINIMUM NO LOAD INSERTION LOSS (dB) AT 25°C PER MIL-STD -220			
	85°C	125°C		10 MHz	100 MHz	1 GHz	10 GHz
1500	350	200	10 A	5	45	70	70

<b>REVISION RECORD</b> Original Release <b>C.O. 4668</b> RDN TO COMP FMT. S.M. 05-09-00 <b>2000508-3-01</b> ADDED NOTES. S.M. 05-29-05 <b>20050727-2-02</b>	<b>0</b>	 <b>TUCSON, ARIZONA</b> -- TOLERANCES -- Unless Otherwise Specified 2 Place Decimal 3 Place Decimal  .031 Angles	<b>BUSHING STYLE EMI FILTER</b>	
			Title <b>S.M. 05-09-00</b>	
			Drawn <b>S.M. 05-09-00</b>	
			Approved <b>T.C. 05-09-00</b>	
			<b>A</b>	

**4209-003**

X-2015 Rev-0