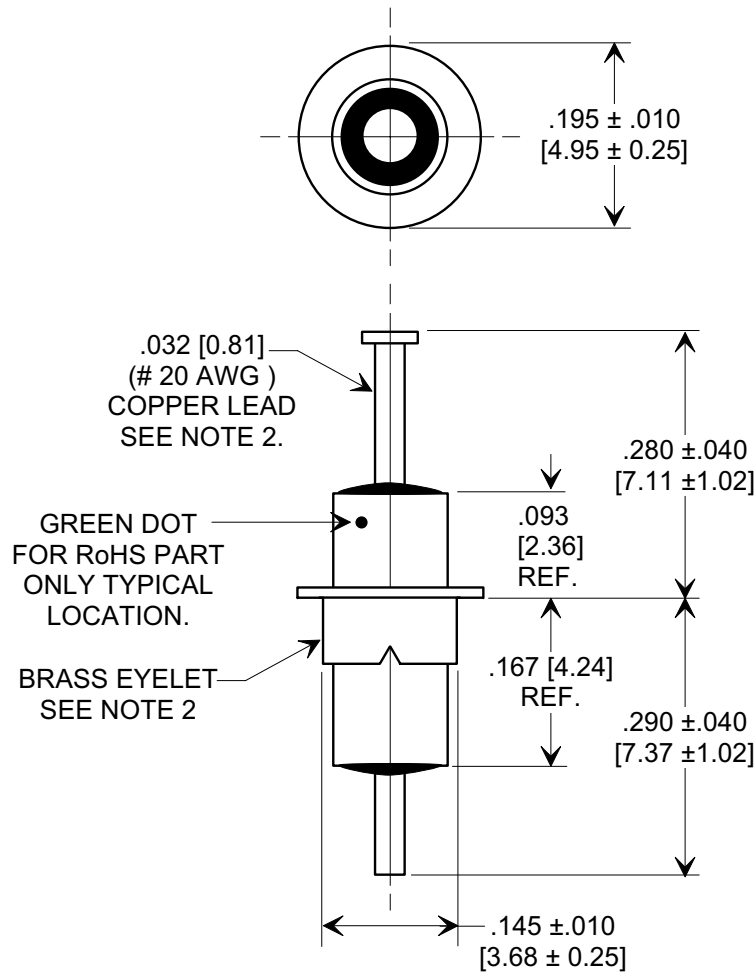
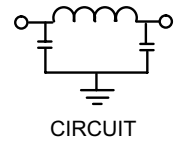
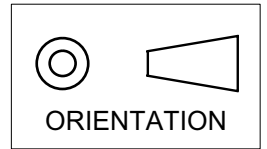


MARKETING SALES DRAWING
DIMENSIONS IN INCHES - DO NOT SCALE THIS DRAWING
DIMENSIONS IN METRIC - []

Electrical Testing
per Tusonix standard
test plans and Mil-Std-202
Test Methods.



Notes:

- Tusonix Standard part number: 4101-004.
Tusonix RoHS compliant part number: 4101-004 LF.
Customer must specify Standard or RoHS part number when ordering.
- Lead finish: Standard Part No.: 60/40 solder plated. RoHS Part No. Silver Plated.
Eyelet finish Standard Part No.: 60/40 solder plated. RoHS Part No. Silver Plated.
- Part Marking: Standard has no marking. RoHS part: Green Dot.

MIN. CAP. (pF)	WORKING VOLTAGE (WVdc)		CURRENT Idc. (A)	I.R. MIN. @ 100 (VDC.)	DWV 25 SEC. (VDC)	MINIMUM NO LOAD INSERTION LOSS (dB) AT 25°C PER MIL-STD-220			
	85°C	125°C				10 MHz	100 MHz	1 GHz	10 GHz
1750	250	125	10	10 G Ω	500	5	50	60	60

X-2015 Rev-0	REVISION RECORD				--TOLERANCES-- Unless Otherwise Specified		Title	
	Original Release C.O.	0			DECIMAL ± .031 [0.79]		EYELET STYLE EMI FILTER Drawn S.M. 07-19-00 Scale 5 X Approved T.C. 07-19-00	
	RDN TO CMP FMT. S.M. 07-19-00				ANGLES ±			
	20000914-3-05	1	REVISED TO STANDARDIZE DWG. ADDED IR & DWV. S.M. 09-13-05		TUSONIX TUCSON, ARIZONA		A 4101-004	
20050829-1-05	2							