

# 28S2011-000

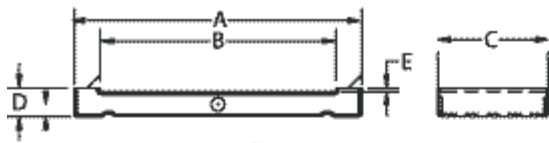


Figure #1

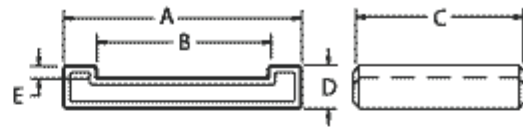


Figure #2



Figure #3

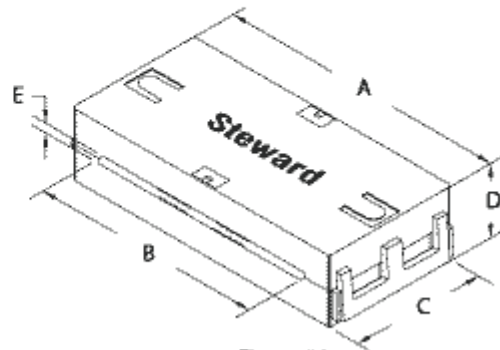


Figure #4  
Split ferrite core assembly with hinged black plastic case

### Drawing Figure #

Figure Number
1

### Electrical Characteristics

Z (Ω) @ 25 MHz	Z (Ω) @ 100 MHz	Z (Ω) @ 300 MHz
100	280	600

### Physical Dimensions

A in	A mm	B in	B mm	C in	C mm	D in	D mm	E in	E mm
3.000	76.20	2.570	65.28	1.125	28.58	0.250	6.35	0.033	0.84

