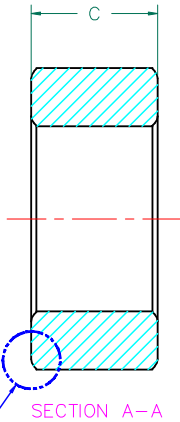
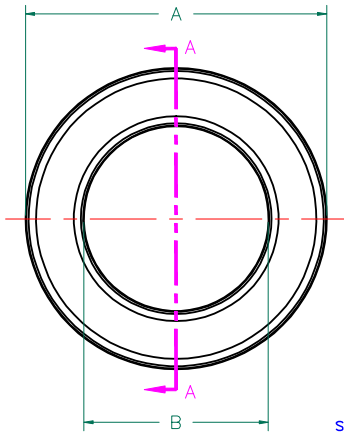
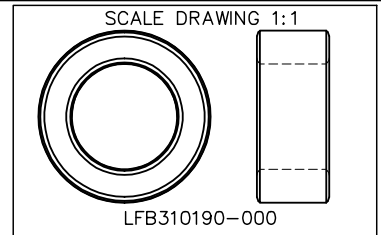
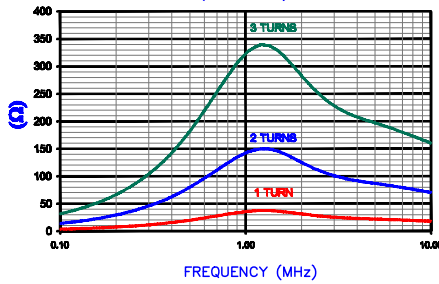


UNCONTROLLED DOCUMENT



SEE DETAIL "A"

Z vs. FREQUENCY
1 TURN, 2, AND 3 TURNS
(REF. ONLY)



AGILENT E4991A RF Impedance/Material Analyzer
HP 16092A Test Fixture REF# 2492

IMPEDANCE (Z) NET^{SEE NOTE 1}

FREQUENCY	500 KHz	1 MHz	5 MHz
NOMINAL (REF.) 1 TURN	19 Ω	33 Ω	22 Ω
MINIMUM (SPEC.) 1 TURN	— Ω	25 Ω	— Ω
NOMINAL (REF.) 2 TURNS	80 Ω	143 Ω	88 Ω
NOMINAL (REF.) 3 TURNS	182 Ω	322 Ω	196 Ω

TEST CRITERIA

METER HP4396A OR EQUIVALENT
FIXTURE HP16092A OR EQUIVALENT

NOTES:

- NET IMPEDANCE IS IMPEDANCE OF THE FERRITE CORE ONLY. ALL IMPEDANCE CONTRIBUTION FROM TEST WIRE AND FIXTURES HAS BEEN REMOVED.

FERRITE CORE DIMENSIONS (SPEC):

A	31.00 [1.220]	±	0.51 [.020]
B	19.00 [.748]	±	0.51 [.020]
C	13.00 [.512]	±	0.25 [.010]

WEIGHT/1000 28.76 kgs [63.40 Lbs]

DIMENSIONS ARE IN mm [INCHES].

REV	DESCRIPTION	DATE	INT
D	UPDATE COMPANY LOGO	07/13/08	TMB
C	REMOVE MIN TOLS @500 KHz	02/13/06	JRK
B	REVISE TOLERANCES ADD TEST REF #	12/28/04	JRK
A	ORIGINAL DRAFT	09/30/02	TMB

This print is the property of Laird Tech. and is loaned in confidence subject to return upon request and with the understanding that no copies shall be made without the written consent of Laird Tech. All rights to design or invention are reserved.



PROJECT/PART NUMBER: LFB310190-000	REV D	PART TYPE: FERRITE CORE	DRAWN BY: TMB
DATE: 09/30/02	SCALE: 1.75:1	MATERIAL: LF	
CAD # LFB310190-000-D	TOOL # B1220		