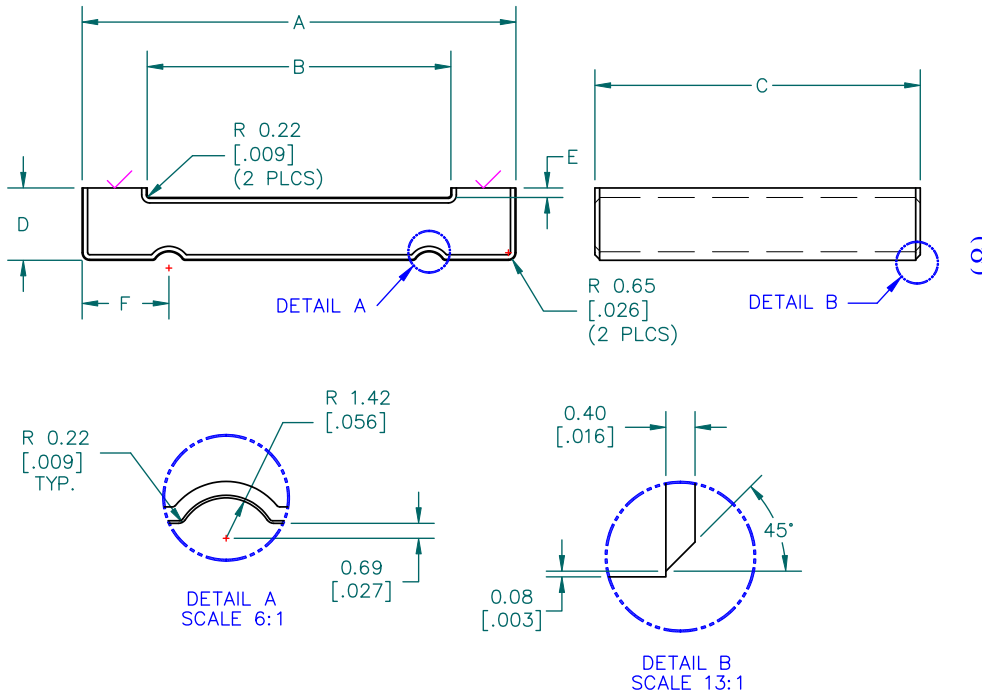
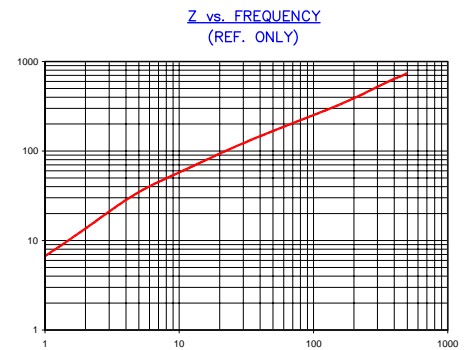


UNCONTROLLED DOCUMENT



IMPEDANCE (Z)			
Frequency	25 MHz	100 MHz	300 MHz
Nominal (REF)	115 Ω	250 Ω	520 Ω
Minimum	- Ω	200 Ω	- Ω



FREQUENCY (MHz)
 AGILENT E4991A Impedance/Material Analyzer
 HP 16092A-Test Fixture

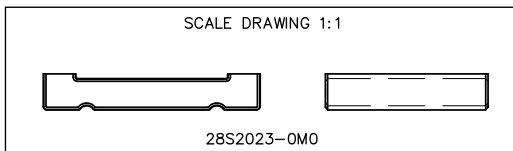
FERRITE CORE DIMENSIONS (SPEC): mm [in]

A	38.10 [1.500]	+	0.76 [.030]
B	26.67 [1.050]	+	0.76 [.030]
C	25.40 [1.000]	+	0.51 [.020]
D	6.35 [.250]	+	0.25 [.010]
E	0.84 [.033]	+	0.25 [.010]
F	7.62 [.300]	+	0.25 [.010]

WEIGHT/1000 30.56 kgs. 67.38 Lbs.

NOTES:

1. ADD METAL CLIPS FOR SHIPPING P/N ASSE017-2.



DIMENSIONS ARE IN mm[INCHES].				THIS DOCUMENT CONTAINS INFORMATION WHICH IS PROPRIETARY AND CONFIDENTIAL TO STEWARD. NO PRODUCTION OR PUBLICATION OF THIS DOCUMENT IN WHOLE OR IN PART SHALL BE MADE WITHOUT WRITTEN AUTHORIZATION FROM STEWARD.																											
D	UPDATE FORMAT & Z SPECS ADD CURVE CHANGE TOLS ON F DIMENSION	07/15/03	JRK	<div style="text-align: center; font-size: 2em; font-weight: bold; color: red;">Steward</div> <table border="1" style="width: 100%; border-collapse: collapse;"> <tr> <td>PROJECT/PART NUMBER:</td> <td>REV</td> <td>PART TYPE:</td> <td>DRAWN BY:</td> </tr> <tr> <td style="text-align: center;">28S2023-0M0</td> <td style="text-align: center;">D</td> <td style="text-align: center;">FERRITE SPLIT RIBBON</td> <td style="text-align: center;">DJB</td> </tr> <tr> <td>DATE:</td> <td>SCALE:</td> <td colspan="2">MATERIAL:</td> </tr> <tr> <td style="text-align: center;">12/17/90</td> <td style="text-align: center;">2 : 1</td> <td colspan="2" style="text-align: center;">STEWARD 28</td> </tr> <tr> <td>CAD #</td> <td>TOOL #</td> <td colspan="2"></td> </tr> <tr> <td style="text-align: center;">28S2023-0M0-D</td> <td style="text-align: center;">S2023</td> <td colspan="2"></td> </tr> </table>				PROJECT/PART NUMBER:	REV	PART TYPE:	DRAWN BY:	28S2023-0M0	D	FERRITE SPLIT RIBBON	DJB	DATE:	SCALE:	MATERIAL:		12/17/90	2 : 1	STEWARD 28		CAD #	TOOL #			28S2023-0M0-D	S2023		
PROJECT/PART NUMBER:	REV	PART TYPE:	DRAWN BY:																												
28S2023-0M0	D	FERRITE SPLIT RIBBON	DJB																												
DATE:	SCALE:	MATERIAL:																													
12/17/90	2 : 1	STEWARD 28																													
CAD #	TOOL #																														
28S2023-0M0-D	S2023																														
C	UPDATE P/N FOR NEW CATALOG	7/27/95	JBE																												
B	UPDATE	11/02/94	JBE																												
A	ORIGINAL DRAFT	12/17/90	DJB																												
REV	DESCRIPTION	DATE	INT																												