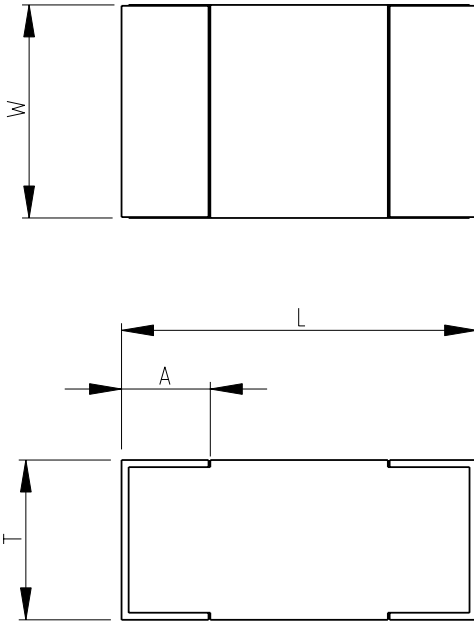


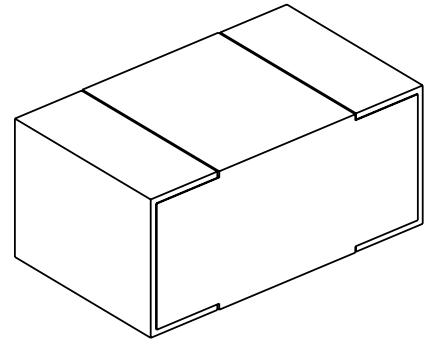
LOC	DIST	REVISIONS					
E	B	P	LTR	DESCRIPTION	DATE	DWN	APVD
			BA	NEW RELEASE	15-Sep-08	SM	St.P

FOR FURTHER INFORMATION SEE DATA SHEET FOR
BMB SERIES-MULTILAYER FERRITE BEADS



RoHS Compliant

BMB-A,BMB-B,BMB-L,BMB-R 0805 AND
BMB-P 0805 SERIES AS SHOWN



BMB-P 0805				
BMB-R 0805				
BMB-L 0805	2.0±0.20	1.2±0.20	0.9±0.20	0.5±0.30
BMB-B 0805				
BMB-A 0805				
SERIES	L	W	T	A

2008

RELEASED FOR PUBLICATION

BY TYCO ELECTRONICS CORPORATION. ALL RIGHTS RESERVED.

© COPYRIGHT 2008

THIS DRAWING IS UNPUBLISHED.

DIMENSIONS: mm	DWN	15-Sep-08	MATERIAL	FINISH			
	SUBHASH.M		-	-			
TOLERANCES UNLESS OTHERWISE SPECIFIED: 0 PLC ±0.5 1 PLC ±0.2 2 PLC ±0.1 3 PLC ±- 4 PLC ±- ANGLES ±5°	CHK	15-Sep-08	Tyco Electronics Corporation Dorcan, Swindon, SN3 5HH				
	ALLAN.P						
	APVD	15-Sep-08	NAME MULTILAYER FERRITE BEADS SERIES BMB 0805				
	STEPHEN.P						
PRODUCT SPEC	-	SIZE CAGE CODE DRAWING NO RESTRICTED TO A 4 00779 ©= 1624117 -					
APPLICATION SPEC	-						
WEIGHT	-	CUSTOMER DRAWING SCALE 25:1 SHEET 1 OF 1 REV BA					