

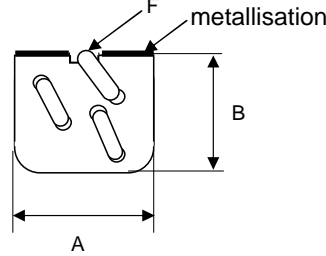
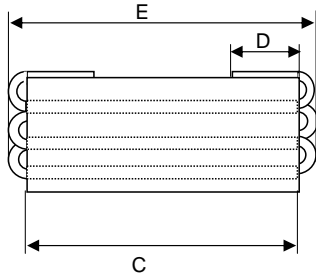
# Spezifikation für Freigabe / specification for release

Kunde / customer : \_\_\_\_\_  
 Artikelnummer / part number : **7427511**  
 Bezeichnung : **5-Loch SMD Ferritperle WE-SUKW**  
 description : **5-Hole SMD Ferrite Bead WE-SUKW**



DATUM / DATE : 2007-06-11

## A Mechanische Abmessungen / dimensions:

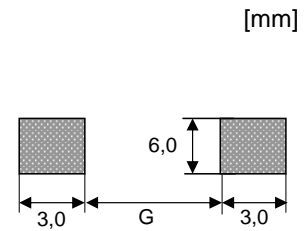


|   |                   |    |
|---|-------------------|----|
| A | <b>5,0 ± 0,25</b> | mm |
| B | <b>4,6 ± 0,5</b>  | mm |
| C | <b>5,5 ± 0,5</b>  | mm |
| D | <b>2,0 max.</b>   | mm |
| E | <b>8,0 max.</b>   | mm |
| F | <b>∅ 0,5 ref.</b> | mm |
| G | <b>2,0 max.</b>   | mm |

## B Elektrische Eigenschaften / electrical properties:

| Eigenschaften / properties               | Testbedingungen / test conditions |                 | Wert / value | Einheit / unit |             |
|--|-----------------------------------|-----------------|--------------|----------------|-------------|
| Impedanz @ 2,5 Wg./ impedance @ 2,5 turn | <b>25 MHz</b>                     | Z               | <b>272</b>   | Ω              | <b>typ.</b> |
| Impedanz @ 2,5 Wg./ impedance @ 2,5 turn | <b>100 MHz</b>                    | Z               | <b>416</b>   | Ω              | <b>typ.</b> |
| Nennstrom rated current                  |                                   | I <sub>DC</sub> | <b>5,00</b>  | A              | <b>max.</b> |
|  |                                   |                 |              |                |             |
|  |                                   |                 |              |                |             |

## C



## D Prüfgeräte / test equipment:

**HP 4191 B** für/for Z und/and material  
**16092A** - Klemme / clamp

## E Testbedingungen / test conditions:

Luftfeuchtigkeit / humidity: 33%  
 Umgebungstemperatur / temperature: + 20°C

## F Werkstoffe & Zulassungen / material & approvals:

Basismaterial / base material: 5 W 700

## G Eigenschaften / general specifications:

Curietemperatur / curie temperature: + 140°C  
 Lagertemperatur / storage temperature: -40°C - + 125°C  
 Betriebstemp. / operating temperature: -40°C - +125°C

|                                     |                          |                         |              |
|-------------------------------------|--------------------------|-------------------------|--------------|
| Freigabe erteilt / general release: | <b>Kunde / customer</b>  |                         |              |
|                                     |                          |                         |              |
| .....                               |                          |                         |              |
| Datum / date                        | Unterschrift / signature |                         |              |
|                                     | <b>Würth Elektronik</b>  |                         |              |
|                                     |                          |                         |              |
|                                     |                          |                         |              |
|                                     |                          |                         |              |
|                                     |                          |                         |              |
|                                     |                          |                         |              |
| Geprüft / checked                   | Kontrolliert / approved  |                         |              |
|                                     | Name                     | Änderung / modification | Datum / date |

**Würth Elektronik eiSos GmbH & Co. KG**

D-74638 Waldenburg · Max-Eyth-Strasse 1 - 3 · Germany · Telefon (+49) (0) 7942 - 945 - 0 · Telefax (+49) (0) 7942 - 945 - 400  
<http://www.we-online.com>

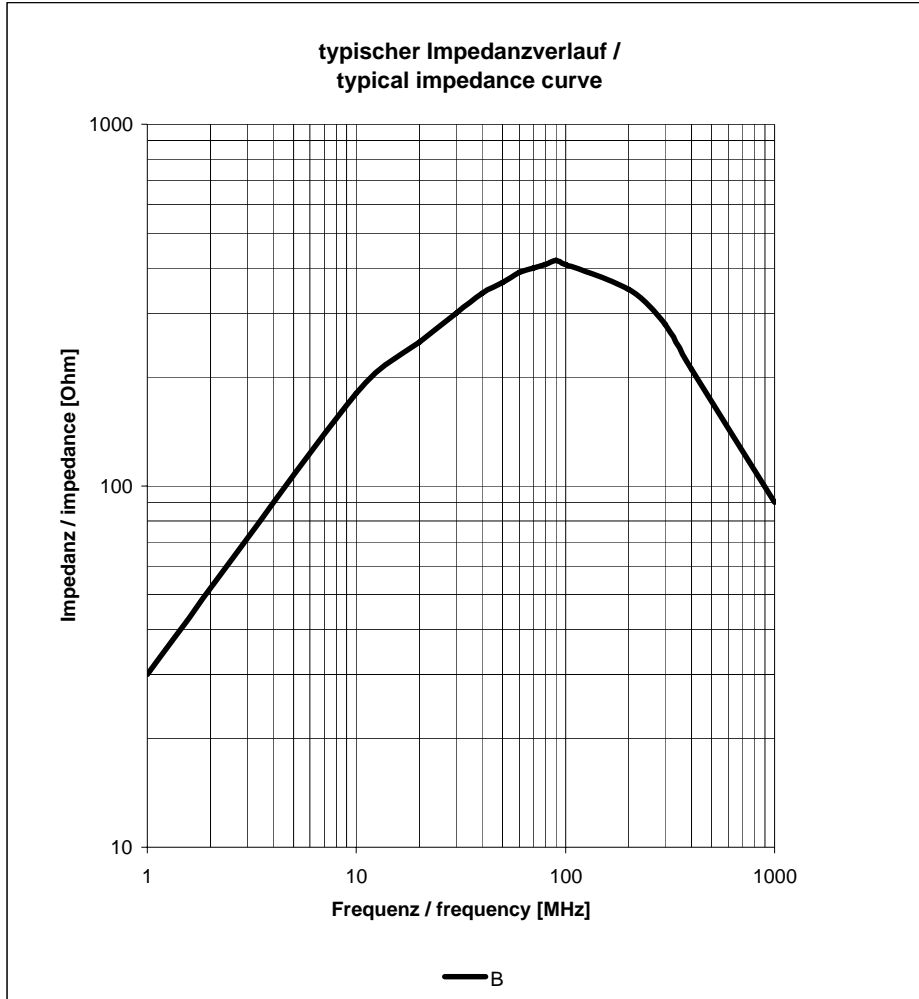
# Spezifikation für Freigabe / specification for release

Kunde / customer : \_\_\_\_\_  
 Artikelnummer / part number : **7427511**  
 Bezeichnung : **5-Loch SMD Ferritperle WE-SUKW**  
 description : **5-Hole SMD Ferrite Bead WE-SUKW**



DATUM / DATE : 2007-06-11

## H Impedanzverlauf / impedance curve:



**B: 2,5 Windungen / 2,5 turns**

|                                     |                          |      |                                |              |
|-------------------------------------|--------------------------|------|--------------------------------|--------------|
| Freigabe erteilt / general release: | <b>Kunde / customer</b>  |      |                                |              |
|                                     | .....                    |      |                                |              |
| Datum / date                        | Unterschrift / signature | SMU  | Version 6                      | 07-06-11     |
| .....                               | .....                    | SST  | add name                       | 05-03-17     |
|                                     | <b>Würth Elektronik</b>  | LF   | RoHS Update                    | 04-10-11     |
| .....                               | .....                    | LF   | Pad / Metallisation            | 04-06-03     |
| Geprüft / checked                   | Kontrolliert / approved  | LF   | Tape and Reel Spec.            | 04-02-17     |
| .....                               | .....                    | JH   | Neugestaltung                  | 00-12-06     |
|                                     |                          | Name | <b>Änderung / modification</b> | Datum / date |

### Würth Elektronik eiSos GmbH & Co. KG

D-74638 Waldenburg · Max-Eyth-Strasse 1 - 3 · Germany · Telefon (+49) (0) 7942 - 945 - 0 · Telefax (+49) (0) 7942 - 945 - 400  
<http://www.we-online.com>

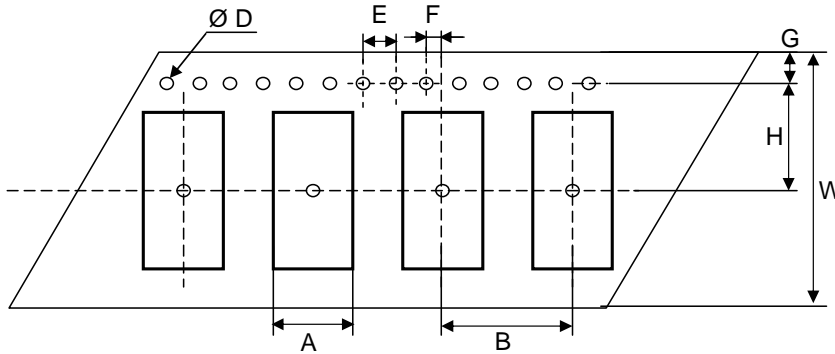
# Spezifikation für Freigabe / specification for release

Kunde / customer : \_\_\_\_\_  
 Artikelnummer / part number : **7427511**  
 Bezeichnung : **5-Loch SMD Ferritperle WE-SUKW**  
 description : **5-Hole SMD Ferrite Bead WE-SUKW**



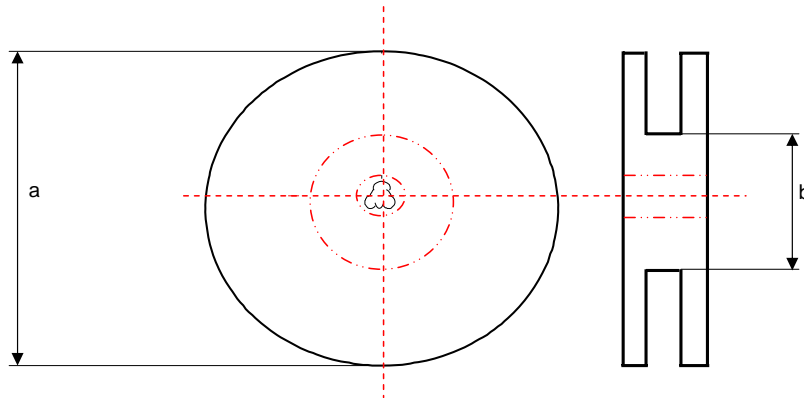
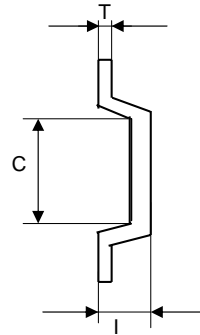
DATUM / DATE : 2007-06-11

## I Rollenspezifikation / tape and reel specification :



### Gurtspezifikation / Tape specification :

|   |                                      |    |
|---|--------------------------------------|----|
| A | 5,40 ± 0,1                           | mm |
| B | 12,0 ± 0,1                           | mm |
| C | 7,4 ± 0,1                            | mm |
| D | 1,50 <sup>+0,1</sup> <sub>-0,0</sub> | mm |
| E | 4,00 ± 0,1                           | mm |
| F | 2,00 ± 0,1                           | mm |
| G | 1,75 ± 0,1                           | mm |
| H | 11,5 ± 0,1                           | mm |
| I | 5,20 ± 0,1                           | mm |
| W | 24,0 ± 0,3                           | mm |
| T | 0,40 ± 0,05                          | mm |



| Rollenspezifikation/reel specification: |             |    |
|---|-------------|----|
| a                                       | 330,0 ± 0,1 | mm |
| b                                       | 100,0 ± 0,1 | mm |

|                                     |                          |       |                                |              |
|-------------------------------------|--------------------------|-------|--------------------------------|--------------|
| Freigabe erteilt / general release: | <b>Kunde / customer</b>  |       |                                |              |
|                                     | .....                    | ..... | SMU                            | Version 6    |
| Datum / date                        | Unterschrift / signature | LF    | add name                       | 05-03-17     |
| .....                               | .....                    | LF    | RoHS Update                    | 04-10-11     |
| Geprüft / checked                   | <b>Würth Elektronik</b>  | LF    | Pad / Metallisation            | 04-06-03     |
|                                     |                          | LF    | Tape and Reel Spec.            | 04-02-17     |
|                                     |                          | JH    | Neugestaltung                  | 00-12-06     |
|                                     |                          | Name  | <b>Änderung / modification</b> | Datum / date |
| .....                               | .....                    | LF    | Pad / Metallisation            | 04-06-03     |
| .....                               | .....                    | LF    | Tape and Reel Spec.            | 04-02-17     |
| .....                               | .....                    | JH    | Neugestaltung                  | 00-12-06     |
| .....                               | .....                    | Name  | <b>Änderung / modification</b> | Datum / date |

This electronic component has been designed and developed for usage in general electronic equipment. Before incorporating this component into any equipment where higher safety and reliability is especially required or if there is the possibility of direct damage or injury to human body, for example in the range of aerospace, aviation, nuclear control, submarine, transportation, (automotive control, train control, ship control), transportation signal, disaster prevention, medical, public information network etc, Würth Elektronik eiSos GmbH must be informed before the design-in stage. In addition, sufficient reliability evaluation checks for safety must be performed on every electronic component which is used in electrical circuits that require high safety and reliability functions or performance.

**Würth Elektronik eiSos GmbH & Co. KG**

D-74638 Waldenburg · Max-Eyth-Strasse 1 - 3 · Germany · Telefon (+49) (0) 7942 - 945 - 0 · Telefax (+49) (0) 7942 - 945 - 400  
<http://www.we-online.com>