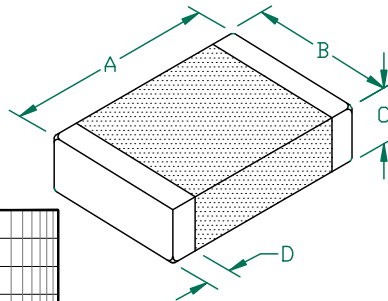


# MI1812K121R-10

**UNCONTROLLED DOCUMENT**

**PHYSICAL DIMENSIONS:**

A	4.50 [.177]	± 0.25 [.010]
B	3.20 [.126]	± 0.25 [.010]
C	1.40 [.055]	± 0.25 [.010]
D	0.46 [.018]	± 0.20 [.008]

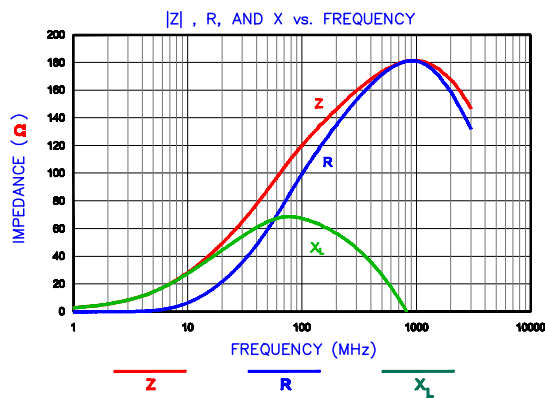
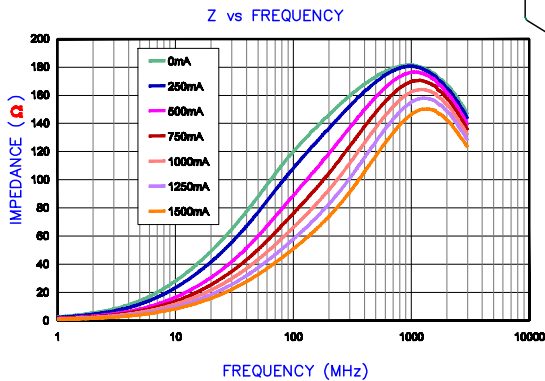


**ELECTRICAL CHARACTERISTICS:**

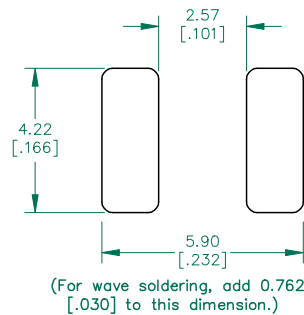
Z @ 100MHz (Ω)	DCR (Ω)	Rated Current
Nominal	120	
Minimum	90	
Maximum	150	0.055 1500 mA

NOTES: UNLESS OTHERWISE SPECIFIED

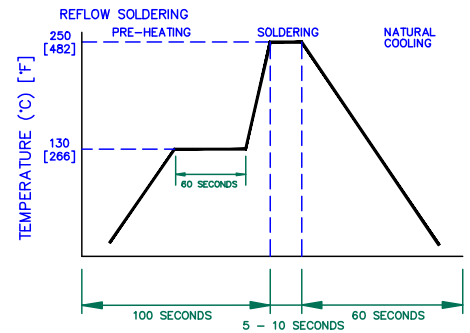
1. TAPED AND REELED per CURRENT EIA SPECIFICATIONS 13" REELS, 2500 PCS/REEL.
2. COMPONENTS SHOULD BE ADEQUATELY PREHEATED BEFORE SOLDERING.
3. TERMINATION FINISH IS 100% TIN.



**LAND PATTERNS FOR REFLOW SOLDERING**



**RECOMMENDED SOLDERING CONDITIONS**



DIMENSIONS ARE IN INCHES (mm).				This print is the property of Laird Tech. and is loaned in confidence subject to return upon request and with the understanding that no copies shall be made without the written consent of Laird Tech. All rights to design or invention are reserved.			
REV	DESCRIPTION	DATE	INT	PROJECT/PART NUMBER	REV	PART TYPE	DRAWN BY
C	UPDATE COMPANY LOGO	09/09/08	JRK	MI1812K121R-10	C	CO-FIRE	JRK
B	UPDATE CURVES & COMPANY LOGO ADD ROHS	05/16/07	JRK	DATE: 04/14/04	SCALE: NTS	SHEET:	
A	ORIGINAL DRAFT	04/14/04	JRK	CAD # MI1812K121R-10-C	TOOL # -		2 of 2
REV	DESCRIPTION	DATE	INT				



AGILENT E4991A RF Impedance/Material Analyzer  
HP 16194A Test Fixture. TEST REF. 6213