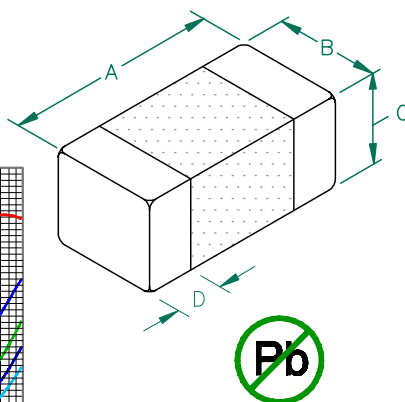


HI0603P600R-10

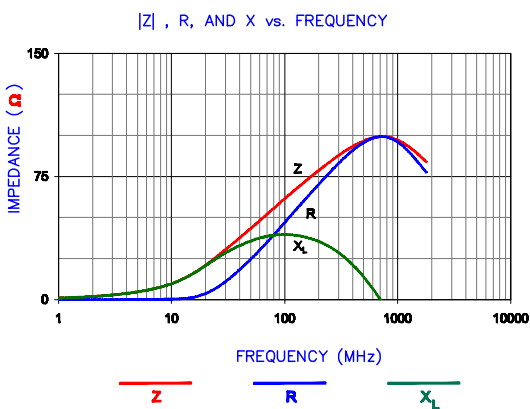
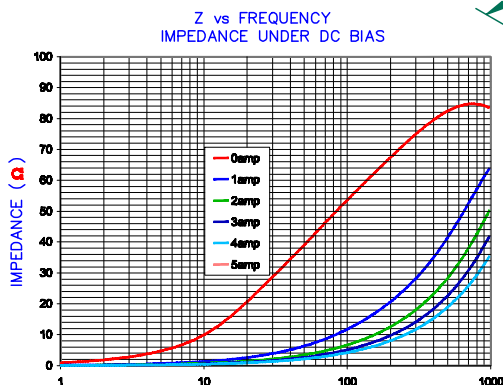
UNCONTROLLED DOCUMENT

PHYSICAL DIMENSIONS:

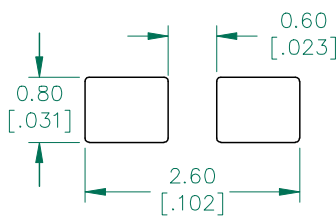
A	1.60 [.063]	+ 0.15 [.006]
B	0.80 [.031]	+ 0.15 [.006]
C	0.80 [.031]	+ 0.15 [.006]
D	0.36 [.014]	+ 0.15 [.006]



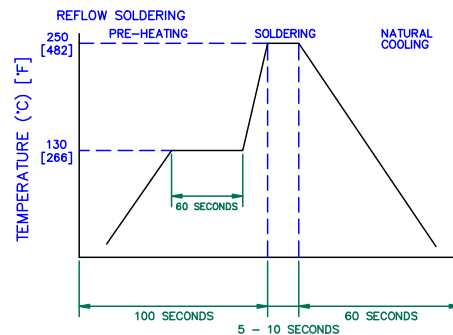
ELECTRICAL CHARACTERISTICS:			
Z @ 100MHz (Ω)	DCR (Ω)	Rated Current	
Nominal	60		
Minimum	45		
Maximum	75	0.030	4000 mA



LAND PATTERNS FOR REFLOW SOLDERING



RECOMMENDED SOLDERING CONDITIONS



DIMENSIONS ARE IN mm [INCHES]				This print is the property of Laird Tech. and is loaned in confidence subject to return upon request and with the understanding that no copies shall be made without the written consent of Laird Tech. All rights to design or invention are reserved.		
PROJECT/PART NUMBER: HI0603P600R-10				REV: C	PART TYPE: CO-FIRE	DRAWN BY: TMB
C	UPDATE COMPANY LOGO	05/29/09	JRK			
B	UPDATE COMPANY LOGO ADD ROHS SYMBOL	01/16/08	JRK	DATE: 04/02/04	SCALE: -	SHEET: -
A	ORIGINAL DRAFT	04/02/04	TMB	DATE: 04/02/04	SCALE: -	SHEET: -
REV	DESCRIPTION	DATE	INT	PART #	TOOL #	2 of 2



AGILENT E4991A RF Impedance/Material Analyzer
HP 16194A Test Fixture. TEST REF. 3185