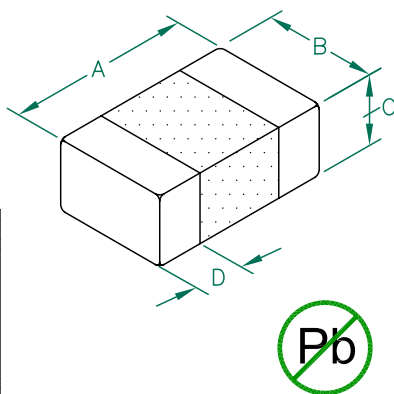


# LI0805G201R-10

**UNCONTROLLED DOCUMENT**

**PHYSICAL DIMENSIONS:**

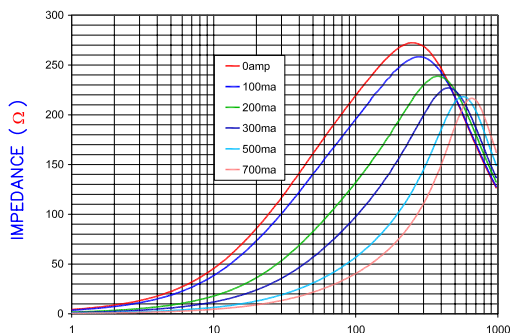
A	2.00 [.079]	± 0.20 [.008]
B	1.25 [.049]	± 0.20 [.008]
C	0.90 [.035]	± 0.20 [.008]
D	0.51 [.020]	± 0.25 [.010]



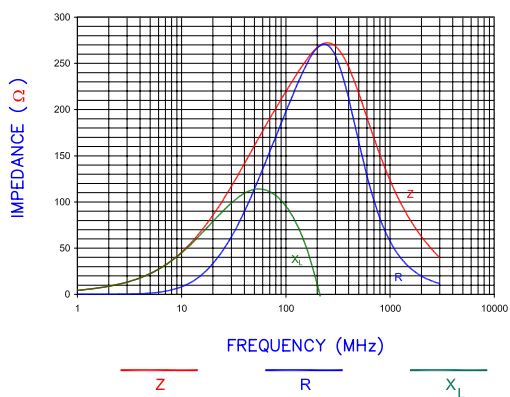
ELECTRICAL CHARACTERISTICS:		
Z @ 100MHz (Ω)	DCR (Ω)	Rated Current
Nominal	200	
Minimum	150	
Maximum	250	700 mA

- NOTES: UNLESS OTHERWISE SPECIFIED
1. TAPED AND REELED per CURRENT EIA SPECIFICATIONS 7" REELS, 4000 PCS/REEL, PAPER TAPE.
  2. COMPONENTS SHOULD BE ADEQUATELY PREHEATED BEFORE SOLDERING.
  3. TERMINATION FINISH IS 100% TIN.

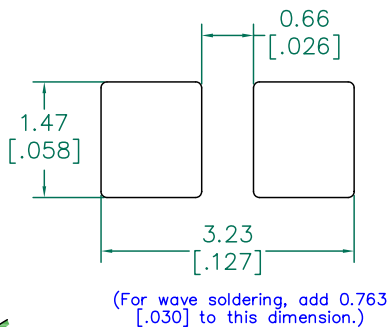
Z vs FREQUENCY IMPEDANCE UNDER DC BIAS



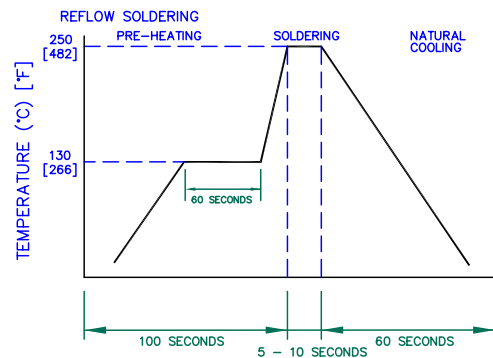
FREQUENCY (MHz) |Z|, R, AND X vs. FREQUENCY



LAND PATTERNS FOR REFLOW SOLDERING



RECOMMENDED SOLDERING CONDITIONS



DIMENSIONS ARE IN mm [INCHES].				This print is the property of Laird Tech. and is loaned in confidence subject to return upon request and with the understanding that no copies shall be made without the written consent of Laird Tech. All rights to design or invention are reserved.		
E	CHANGE TO PAPER TAPE	03/03/10	JUN	PROJECT/PART NUMBER: <b>LI0805G201R-10</b>		
D	UPDATE COMPANY LOGO	06/16/09	JRK			
C	ADD ROHS SYMBOL MODIFY NOTE 1	11/28/06	JRK			
B	CORRECT TEST REF #	01/03/06	JRK			
A	ORIGINAL DRAFT	04/19/04	JRK	DATE: 04/19/04	SCALE: NTS	SHEET: 2 of 2
REV	DESCRIPTION	DATE	INT	CAD # LI0805G201R-10-E	TOOL # -	



AGILENT E4991A RF Impedance/Material Analyzer  
HP 16194A Test Fixture. TEST REF. 3255