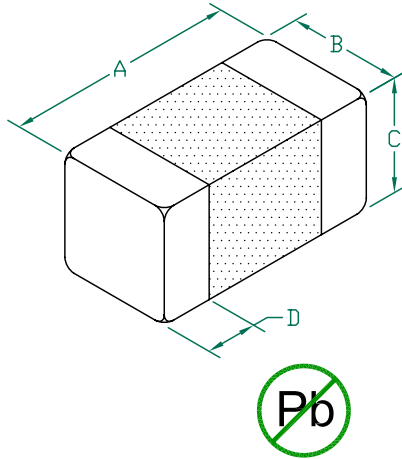


# HZ0603C601R-10

**UNCONTROLLED DOCUMENT**

**PHYSICAL DIMENSIONS:**

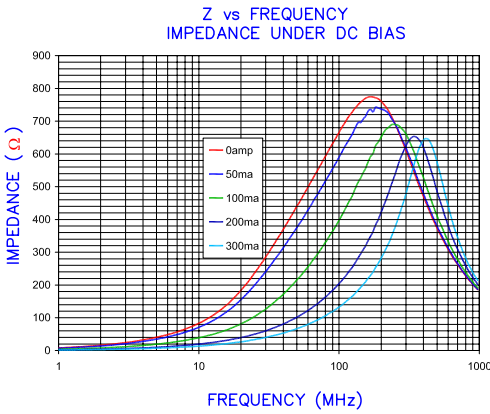
A	1.60 [.063]	+	0.15 [.006]
B	0.80 [.031]	+	0.15 [.006]
C	0.80 [.031]	-	0.15 [.006]
D	0.36 [.014]	+	0.15 [.006]



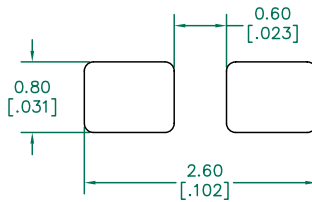
ELECTRICAL CHARACTERISTICS:		
Z @ 100MHz (Ω)	DCR (Ω)	Rated Current
Nominal	600	
Minimum	450	
Maximum	750	300 mA

NOTES: UNLESS OTHERWISE SPECIFIED

1. TAPED AND REELED per CURRENT EIA SPECIFICATIONS 7" REELS, 4000 PCS/REEL.
2. TERMINATION FINISH IS 100% TIN.
3. COMPONENTS SHOULD BE ADEQUATELY PREHEATED BEFORE SOLDERING.

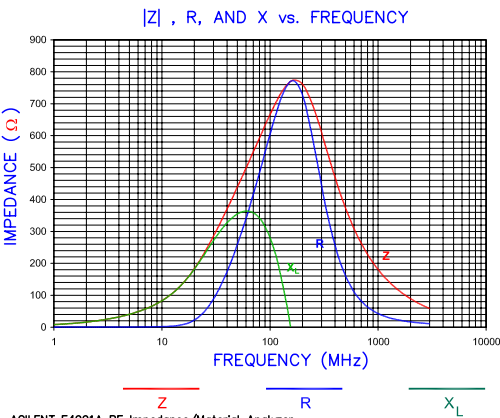
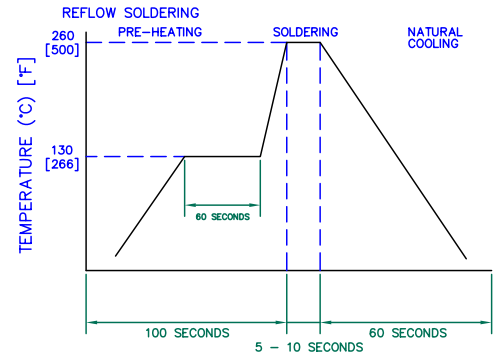


**LAND PATTERNS FOR REFLOW SOLDERING**



(For wave soldering, add 0.762 (.030) to this dimension)

**RECOMMENDED SOLDERING CONDITIONS**



DIMENSIONS ARE IN mm [INCHES].				This print is the property of Laird Tech. and is loaned in confidence subject to return upon request and with the understanding that no copies shall be made without the written consent of Laird Tech. All rights to design or invention are reserved.	
				PROJECT/PART NUMBER: HZ0603C601R-10	
				REV: C	PART TYPE: CO-FIRE
				DRAWN BY: TMB	
C	CHANGE SOLDERING TEMPERATURE FROM 250	07/12/10	JUN		
B	UPDATE COMPANY LOGO ADD ROHS	02/27/08	JRK	DATE: 03/26/04	SCALE: NTS
A	ORIGINAL DRAFT	03/26/04	TMB	CAD #	SHEET: 2 of 2
REV	DESCRIPTION	DATE	INT	HZ0603C601R-10-C	TOOL # -

AGILENT E4991A RF Impedance/Material Analyzer  
HP 16194A Test Fixture. TEST REF. 3228