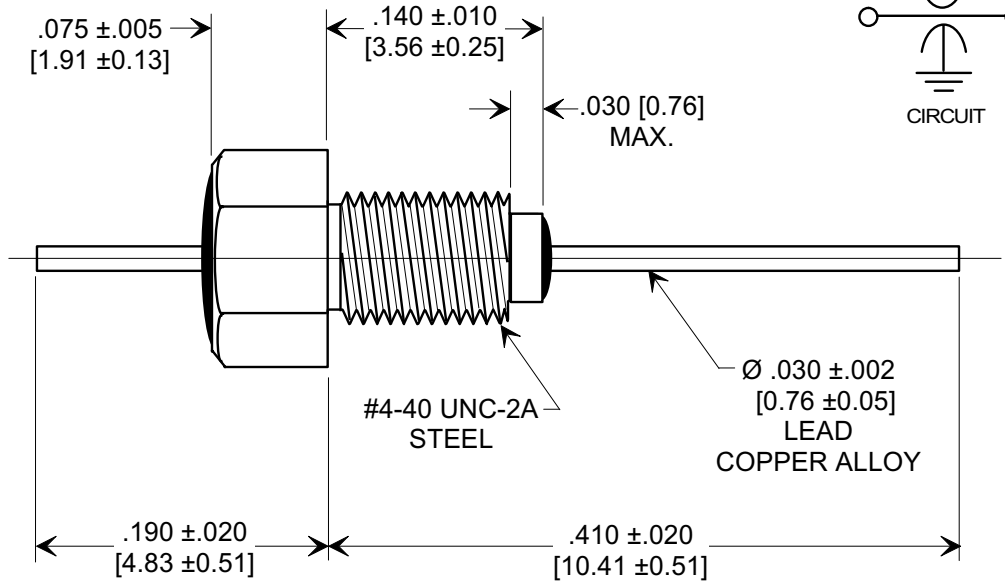
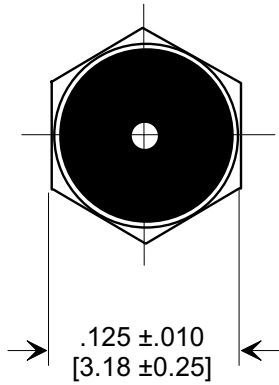
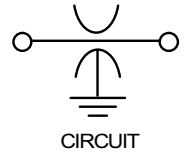
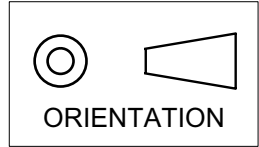


# MARKETING SALES DRAWING

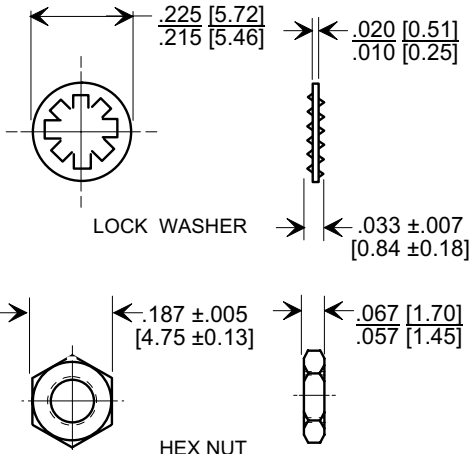
**DIMENSIONS IN INCHES - DO NOT SCALE THIS DRAWING**  
**DIMENSIONS IN METRIC - [ ]**

This drawing is the property of Tusonix, Inc., and may not be used, reproduced, published or disclosed to others without expressed authorization by Tusonix Inc.

**Electrical Testing per Tusonix standard test plans and Mil-Std-202 Test Methods.**



### MOUNTING HARDWARE



### NOTES:

1. OPERATING TEMPERATURE RANGE: -55°C TO +125°C.
2. SILVER PLATED CASE, LEAD AND MOUNTING HARDWARE.
3. MAX. RECOMMENDED MOUNTING TORQUE : 2.0 lb. - in.
4. MAX. RECOMMENDED SOLDERING TEMPERATURE : 260°C. SEE INSTALLATION RECOMMENDATIONS.
5. NUT AND LOCK WASHER INCLUDED.
6. TUSONIX STANDARD PART NUMBER: 4403-040. TUSONIX RoHS COMPLIANT PART NUMBER: 4403-040 LF. CUSTOMER MUST SPECIFY STANDARD OR RoHS PART NUMBER WHEN ORDERING.
7. PART MARKING: TRADEMARK AND VARIATION NUMBER ON HEX FLATS. STANDARD PART: BLACK INK. RoHS PART: GREEN INK.

27,000	GMV	70	50	10	10	28	42	65	65
CAP.(pf)	TOLERANCE	+85 °C	+125 °C	DC CURRENT (AMPS)	1 MHz	10 MHz	100 MHz	1 GHz	10 GHz
		DC WORKING VOLTAGE							

<b>REVISION RECORD</b>	<b>0</b>	Original Release C.O. 6965	<b>1</b>	RDN TO COMP FMT. S.M. 07-16-02	<b>2</b>	ADDED AND REVISED NOTES. S.M. 06-07-06	<b>3</b>	20060605-7-02	<b>--TOLERANCES--</b> Unless Otherwise Specified  <b>DECIMAL ± NOTED</b>  <b>ANGLES ± NOTED</b>  <b>TUSONIX</b> TUCSON, ARIZONA	Title <b>MINI BUSHING STYLE EMI FILTER</b>	
	Drawn S.M. 06-10-02			Scale 8 X							
	Approved J.Mc. 06-10-02										
	<b>A</b>	<b>4403-040</b>									