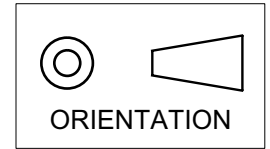


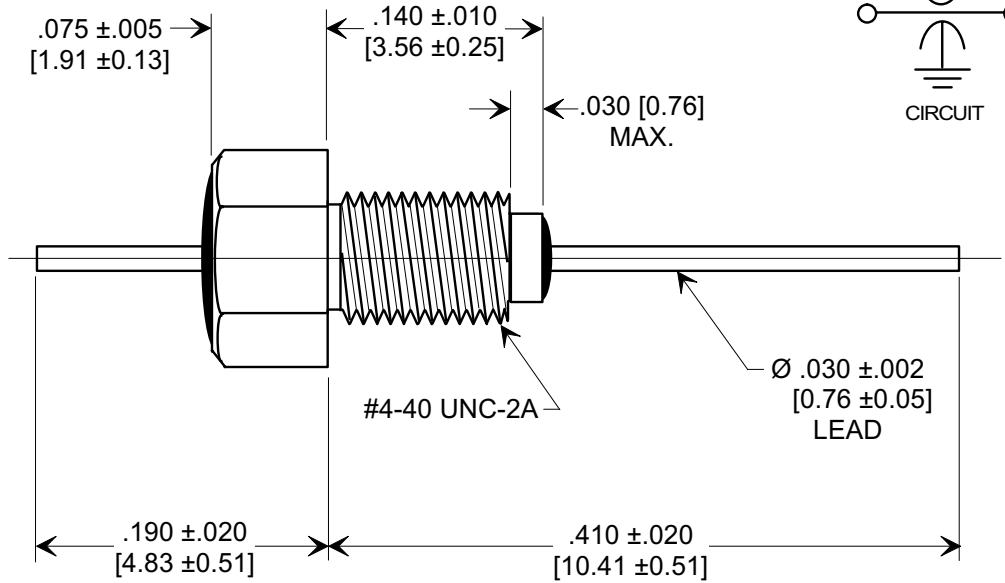
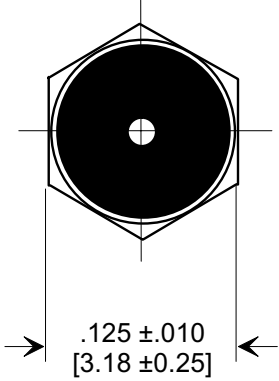
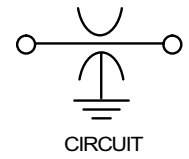
# MARKETING SALES DRAWING

**DIMENSIONS IN INCHES - DO NOT SCALE THIS DRAWING**  
**DIMENSIONS IN METRIC - [ ]**

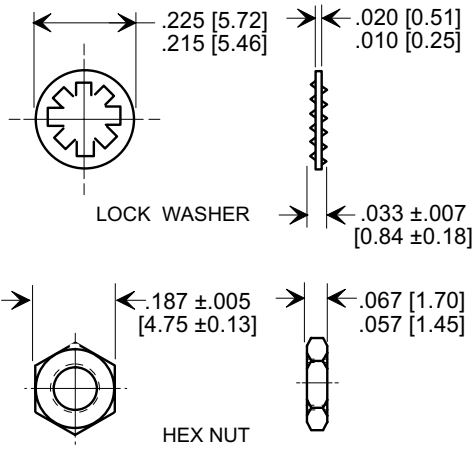
This drawing is the property of Tusonix, Inc., and may not be used, reproduced, published or disclosed to others without expressed authorization by Tusonix Inc.



**Electrical Testing**  
per Tusonix standard  
test plans and Mil-Std-202  
Test Methods.



### MOUNTING HARDWARE



### NOTES:

1. OPERATING TEMPERATURE RANGE: -55°C TO +125°C.
2. SILVER PLATED CASE, LEAD AND MOUNTING HARDWARE.
3. MAX. RECOMMENDED MOUNTING TORQUE : 2.0 lb. - in.
4. MAX. RECOMMENDED SOLDERING TEMPERATURE : 260°C. SEE INSTALLATION RECOMMENDATIONS.
5. NUT AND LOCK WASHER INCLUDED.
6. TUSONIX STANDARD PART NUMBER: 4403-035. TUSONIX RoHS COMPLIANT PART NUMBER: 4403-035 LF. CUSTOMER MUST SPECIFY STANDARD OR RoHS PART NUMBER WHEN ORDERING.
7. PART MARKING: TRADEMARK AND VARIATION NUMBER ON HEX FLATS. STANDARD PART: BLACK INK. RoHS PART: GREEN INK.

10,000	GMV	70	50	10	4	21	35	50	60
CAP.(pf)	TOLERANCE	+85 °C	+125 °C	DC CURRENT (AMPS)	1 MHz	10 MHz	100 MHz	1 GHz	10 GHz
		DC WORKING VOLTAGE							

<b>REVISION RECORD</b>	Original Release C.O. <b>6965</b>	<b>0</b>	-040 & -680 ADDED, DC WAS5. E.C. 11-20-92	<b>7052</b>	RDN TO COMP FMT. S.M. 07-16-02	<b>20020715-1-23</b>	ADDED AND REVISED NOTES. S.M. 04-26-06	<b>20060421-3-02</b>	--TOLERANCES-- Unless Otherwise Specified		Title <b>MINI BUSHING STYLE EMI FILTER</b>	
	DECIMAL ± NOTED								Drawn <b>S.M. 06-10-02</b> Scale <b>8 X</b>			
	ANGLES ± NOTED								Approved <b>J.Mc. 06-10-02</b>			
	<b>TUSONIX</b> TUCSON, ARIZONA								<b>A</b>	<b>4403-035</b>		