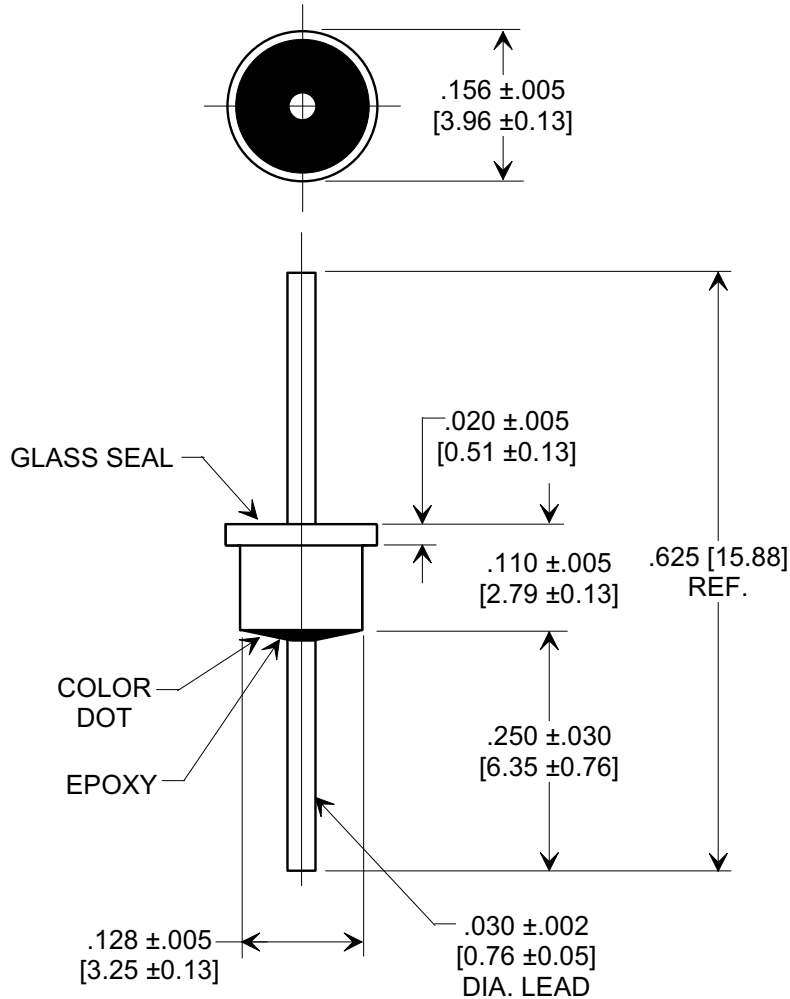


**MARKETING SALES DRAWING**  
 DIMENSIONS IN INCHES - DO NOT SCALE THIS DRAWING  
 DIMENSIONS IN METRIC - [ ]

Electrical Testing  
 per Tusonix standard  
 test plans and Mil-Std-202  
 Test Methods.



**NOTES:**

- Operating temperature range: -55°C to +125°C.
- Gold plated case and lead.
- Epoxy sealed on opposite end from glass seal.
- Max. recommended soldering temperature: 260°C.  
See installation recommendations.
- Recommended mounting hole: .135 dia.
- Solder preform available for mounting.
- Tusonix Standard part number: 4300-022.  
Tusonix RoHS compliant part number: 4300-022 LF.  
Customer must specify Standard or RoHS part number when ordering.
- RoHS compliant part marked with additional dark green dot for identification.

Cx (pF)	TOL.	DC WORKING VOLTAGE		I.R. MIN. @ 100 (VDC.)	DWV (VDC)	DC CURRENT (AMPS)	MIN. NO LOAD INSERTION LOSS (dB) @ 25° C PER MIL-STD-220					COLOR CODE
		85°C	125°C				1 MHz	10 MHz	100 MHz	1 GHz	10 GHz	
1200	GMV	300	200	10 G	500	5	---	5	20	35	45	WHITE

REVISION RECORD Original Release C.O. 5261 VARS 025, 026, 027 & 1MHz COLUMN ADDED. L.E. 11-07-90 5591 VARS 681 WAS 030 & VAR 031 ADDED. L.E. 06-10-91 5966 RDN TO COMP FMP. STYLE DWG SPLIT FOR EACH VAR. S.M. 10-02-02 20021001-8-03 ADDED NOTES 7 & 8. S.M. 05-23-05 20050511-2-23	--TOLERANCES-- Unless Otherwise Specified					Title <b>SOLDER MOUNT EMI FILTER</b>	
	DECIMAL ± NOTED					Drawn S.M. 10-02-02 Scale 5 X	
	ANGLES ±					Approved T.C. 10-02-02	
	<b>TUSONIX</b> TUCSON, ARIZONA					<b>A</b> <b>4300-022</b>	

X-2015 Rev-0