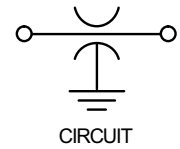
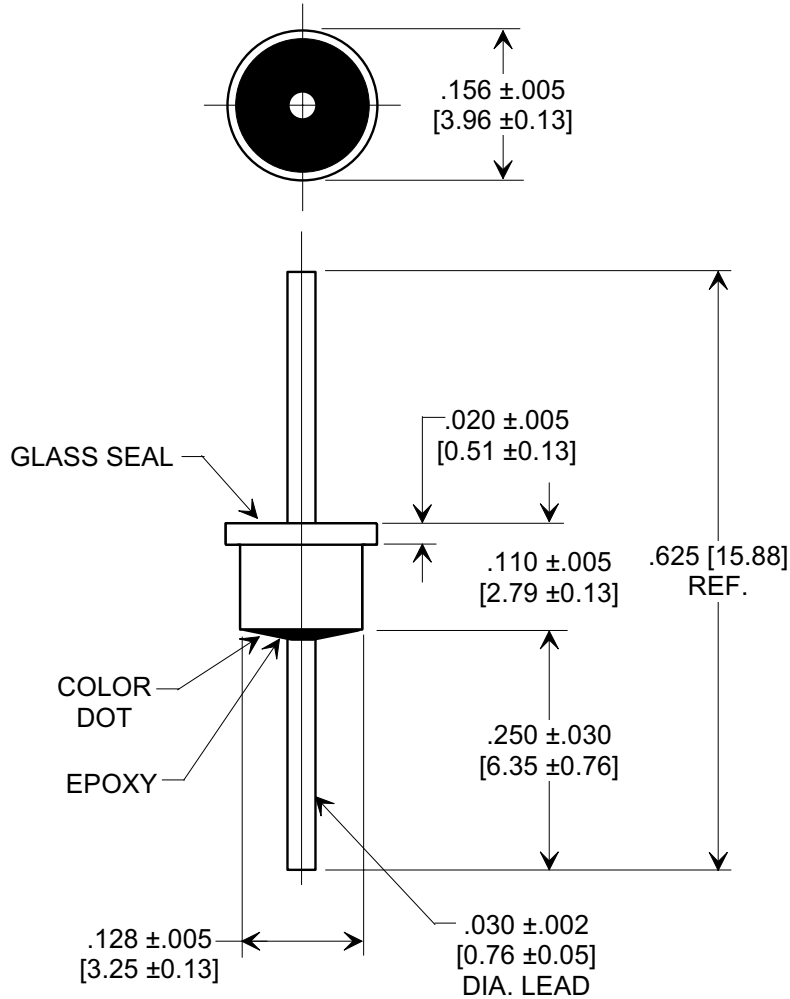


**MARKETING SALES DRAWING**  
 DIMENSIONS IN INCHES - DO NOT SCALE THIS DRAWING  
 DIMENSIONS IN METRIC - [ ]

Electrical Testing  
 per Tusonix standard  
 test plans and Mil-Std-202  
 Test Methods.



**NOTES:**

- Operating temperature range:  $-55^{\circ}\text{C}$  to  $+125^{\circ}\text{C}$ .
- Gold plated case and lead.
- Epoxy sealed on opposite end from glass seal.
- Max. recommended soldering temperature:  $260^{\circ}\text{C}$ .  
See installation recommendations.
- Recommended mounting hole:  $.135$  dia.
- Solder preform available for mounting.
- Tusonix Standard part number: 4300-020.  
Tusonix RoHS compliant part number: 4300-020 LF.  
Customer must specify Standard or RoHS part number when ordering.
- RoHS compliant part marked with additional dark green dot for identification.

| Cx (pF) | TOL. | DC WORKING VOLTAGE |       | I.R. MIN. @ 100 (VDC.) | DWV (VDC) | DC CURRENT (AMPS) | MIN. NO LOAD INSERTION LOSS (dB) @ 25° C PER MIL-STD-220 |        |         |       |        | COLOR CODE |
|---------|------|--------------------|-------|------------------------|-----------|-------------------|--|--------|---------|-------|--------|------------|
|         |      | 85°C               | 125°C |                        |           |                   | 1 MHz  | 10 MHz | 100 MHz | 1 GHz | 10 GHz |            |
| 100     | GMV  | 300                | 200   | 10 G                   | 500       | 5                 | ---  | ---    | 3       | 20    | 28     | GREEN      |

|   |  |  |  |  |  |   |  |
|---|--|--|--|--|--|---|--|
| X-2015 Rev-0<br><b>REVISION RECORD</b><br>Original Release C.O. <b>5261</b><br>VARS 025, 026, 027 & 1MHz COLUMN ADDED. L.E. 11-07-90<br><b>5591</b><br>VARS 681 WAS 030 & VAR 031 ADDED. L.E. 06-10-91<br><b>5966</b><br>RDN TO COMP FMP. STYLE DWG SPLIT FOR EACH VAR. S.M. 10-02-02<br><b>20021001-8-01</b><br>ADDED NOTES 7 & 8. S.M. 05-23-05<br><b>20050511-2-21</b> | --TOLERANCES--<br>Unless Otherwise Specified |  |  |  |  | Title<br><b>SOLDER MOUNT EMI FILTER</b> |  |
|   | DECIMAL ± NOTED                              |  |  |  |  | Drawn S.M. 10-02-02 Scale 5 X           |  |
|   | ANGLES ±                                     |  |  |  |  | Approved T.C. 10-02-02                  |  |
|   | <b>TUSONIX</b><br>TUCSON, ARIZONA            |  |  |  |  | <b>A</b> <b>4300-020</b>                |  |

X-2015 Rev-0