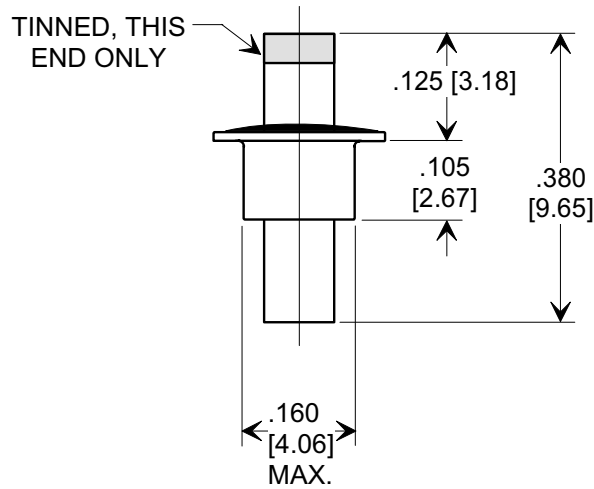
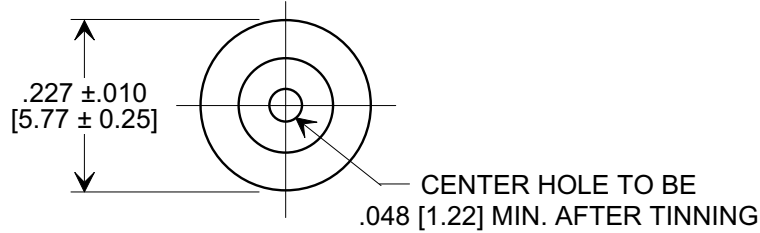
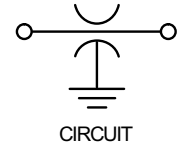
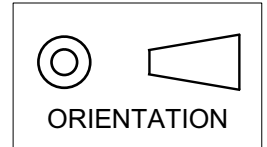


This drawing is the property of Tusonix, Inc., and may not be used, reproduced, published or disclosed to others without expressed authorization by Tusonix Inc.

**Electrical Testing
per Tusonix standard
test plans and Mil-Std-202
Test Methods.**

MARKETING SALES DRAWING
DIMENSIONS IN INCHES - DO NOT SCALE THIS DRAWING
DIMENSIONS IN METRIC - []



NOTES:

1. TUSONIX STANDARD PART NUMBER: 2404-014-X5U0-102P. TUSONIX RoHS COMPLIANT PART NUMBER: 2404-014-X5U0-102P LF. CUSTOMER MUST SPECIFY STANDARD OR RoHS PART NUMBER WHEN ORDERING.
2. EYELET FINISH: STANDARD PART -60/40 SOLDER PLATED, RoHS PART - SILVER PLATED.
3. PART MARKING: STANDARD PART - 3 DOT COLOR CODE, RoHS PART- ADDITIONAL GREEN DOT IDENTIFIER.

SPECIFICATIONS

Style No.:	2404-014
Capacitance:	1000 pF
Tolerance:	+100 / -0%
Temp. Coef.:	X5U
Operating Temp.:	-55°C TO + 85°C
Voltage Rating:	500 VDC

REVISION RECORD Original Release C.O. ECO-659	A	--TOLERANCES-- Unless Otherwise Specified DECIMAL ± .015 [0.38] ANGLES ±	Title FEED - THRU CAPACITOR	
	TUSONIX TUCSON, ARIZONA		Drawn L.E. 04-14-09	Scale 4 X
			Approved R.L. 04-14-09	
	A		2404-014-X5U0-102P	