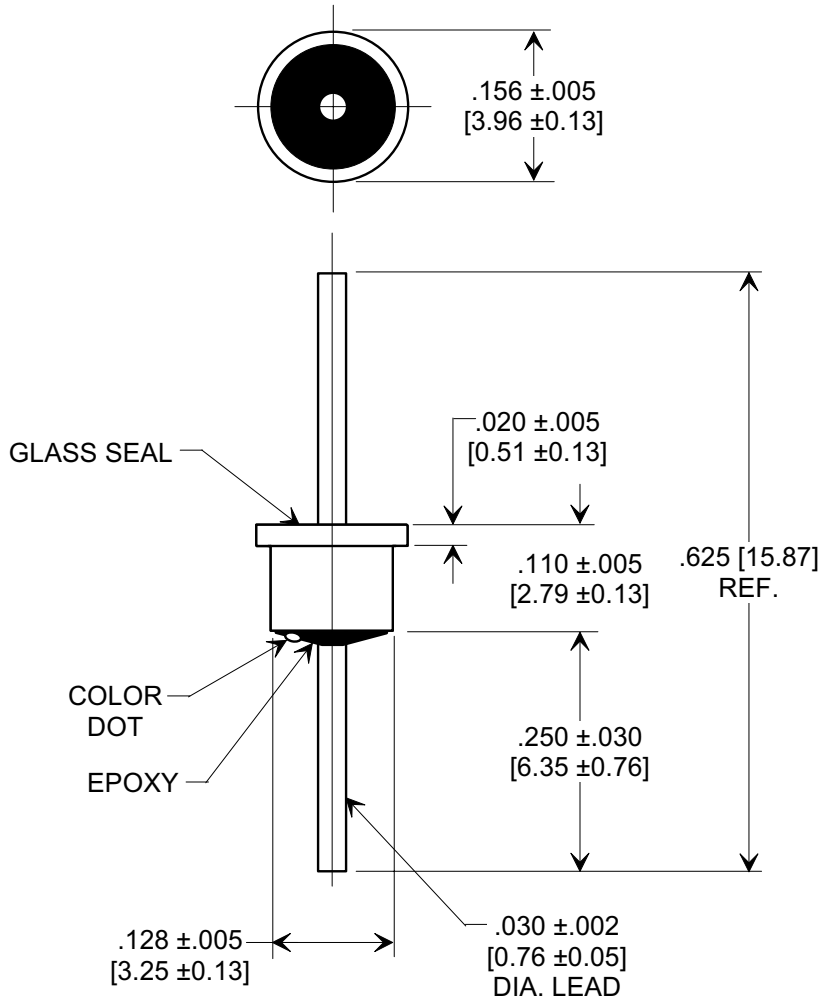
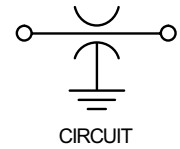


MARKETING SALES DRAWING
 DIMENSIONS IN INCHES - DO NOT SCALE THIS DRAWING
 DIMENSIONS IN METRIC - []

Electrical Testing
 per Tusonix standard
 test plans and Mil-Std-202
 Test Methods.



NOTES:

- Operating temperature range: -55°C to +125°C.
- Gold plated case and lead.
- Epoxy sealed on opposite end from glass seal.
- Max. recommended soldering temperature: 260°C.
See installation recommendations.
- Recommended mounting hole: .135 [3.43] dia.
- Solder preform available for mounting.
- Tusonix Standard part number: 4300-024.
Tusonix RoHS compliant part number: 4300-024 LF.
Customer must specify Standard or RoHS part number when ordering.
- RoHS compliant part marked with additional dark green dot for identification.

Cx (pF)	TOL.	DC WORKING VOLTAGE		DC CURRENT (AMPS)	DWV (VDC)	I.R. MIN. @ 100 (VDC.)	MIN. NO LOAD INSERTION LOSS (dB) @ 25° C PER MIL-STD-220					COLOR CODE
		85°C	125°C				1 MHz	10 MHz	100 MHz	1GHz	10 GHz	
5,000	GMV	150	100	5	250	10 G	---	15	30	40	50	YELLOW

REVISION RECORD Original Release C.O. 20020213-4-01 YELLOW WAS BLUE-BLUE 15,30,40,50 WERE 35,45,70& L.E. 06-04-02 20020604-1-02 ADDED NOTES 7 & 8. S.M. 05-23-05 20050511-2-25	--TOLERANCES-- Unless Otherwise Specified		Title SOLDER MOUNT EMI FILTER	
	DECIMAL ± NOTED		Drawn S.M. 02-14-02 Scale 5 X	
	ANGLES ±		Approved T.C. 02-14-02	
	TUSONIX TUCSON, ARIZONA		A	4300-024

X-2015 Rev-0