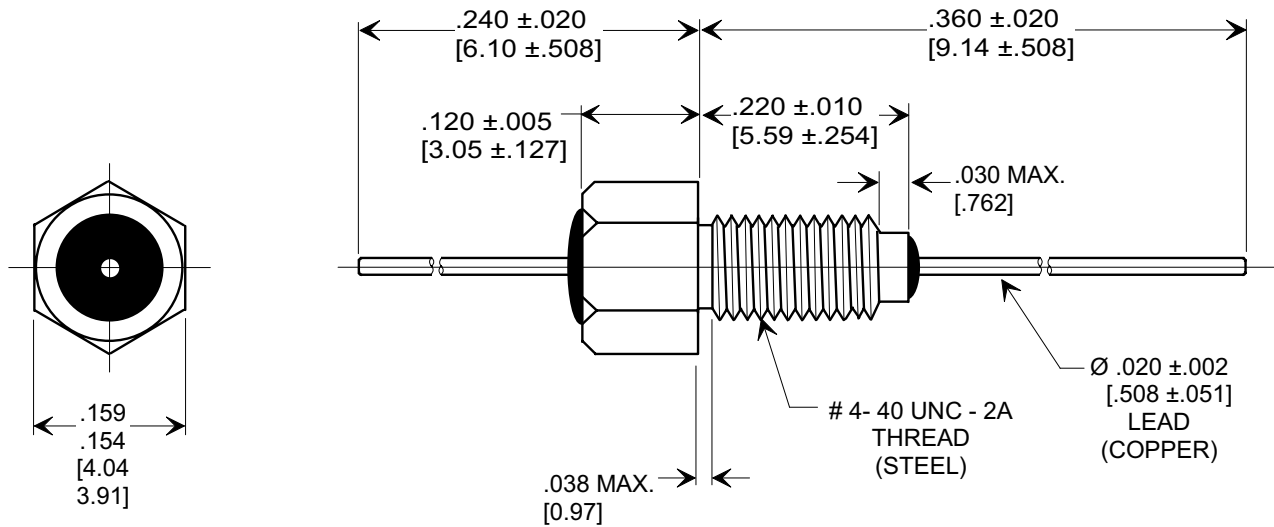
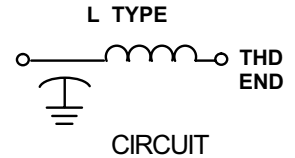
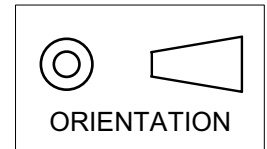


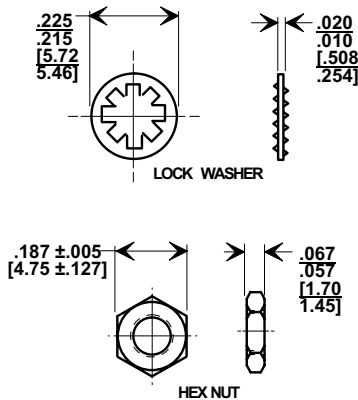
This drawing is the property of Tusonix, Inc., and may not be used, reproduced, published or disclosed to others without expressed authorization by Tusonix Inc.

**Electrical Testing**  
per Tusonix standard  
test plans and Mil-Std-202  
Test Methods.

**MARKETING SALES DRAWING**  
**DIMENSIONS IN INCHES - DO NOT SCALE THIS DRAWING**  
**DIMENSIONS IN METRIC - [ ]**



**MOUNTING HARDWARE**



**NOTES:**

- TUSONIX STANDARD PART NUMBER: 4400-057.  
TUSONIX RoHS COMPLIANT PART NUMBER: 4400-057 LF.  
CUSTOMER MUST SPECIFY STANDARD OR RoHS PART NUMBER WHEN ORDERING.
- MATERIALS: SILVER PLATED BUSHING, LEAD, AND MOUNTING HARDWARE.
- PART MARKING: TRADEMARK AND VARIATION NUMBER ON HEX FLATS.  
STANDARD PART: BLACK INK. RoHS PART: GREEN INK.
- OPERATING TEMPERATURE RANGE: -55°C TO +125°C.
- MAXIMUM RECOMMENDED SOLDERING TEMPERATURE: 260°C.
- SUPPLIED WITH HEX NUT AND INTERNAL TOOTH LOCK WASHER.
- MAXIMUM RECOMMENDED MOUNTING TORQUE, 2.0 lb-in [.226 Nm].

CAP.(pf)	TOLERANCE	WORKING VOLTAGE		CURRENT (ADC)	I.R. MIN. @ 100 (VDC.)	DWV 2 SEC. MIN.	MIN. NO LOAD INSERTION LOSS (dB) @ 25°C PER MIL-STD-220				
		85°C	125°C				1 MHz	10 MHz	100 MHz	1 GHz	10 GHz
50,000	GMV	50	50	10	10 G Ω	100 VDC	15	35	52	70	---

X-2015 Rev-0 <b>REVISION RECORD</b> Original Release C.O. 20041013-1-01 ADDED AND REVISED NOTES. S.M. 01-24-06 20060109-3-04	0	1	--TOLERANCES-- Unless Otherwise Specified	Title <b>BUSHING STYLE EMI FILTER</b>
	DECIMAL ± NOTED			
	ANGLES ±		Drawn L.E. 10-13-04	
	<b>TUSONIX</b> TUCSON, ARIZONA		Approved B.Mc. 10-13-04	
			<b>A</b>	<b>4400-057</b>