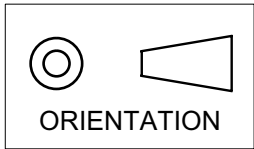
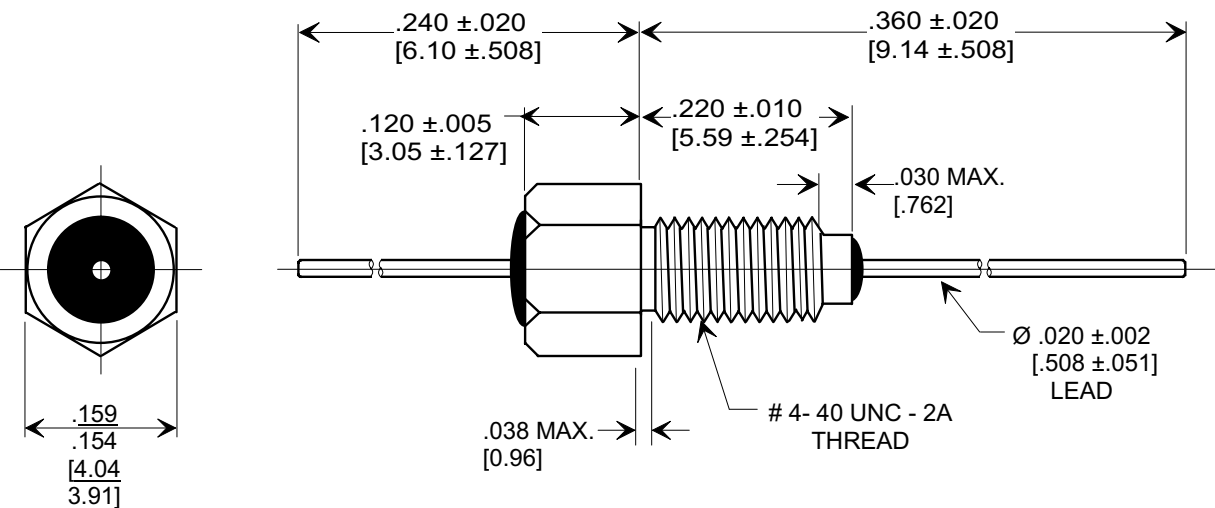
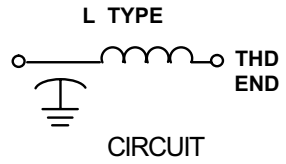


This drawing is the property of Tusonix, Inc., and may not be used, reproduced, published or disclosed to others without expressed authorization by Tusonix Inc.

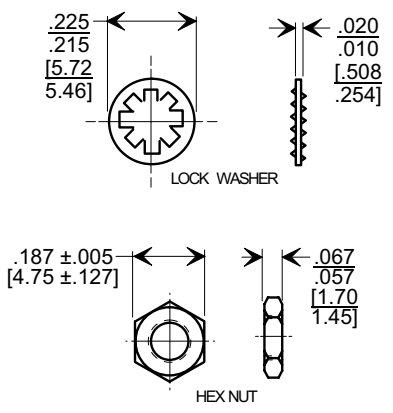
MARKETING SALES DRAWING
DIMENSIONS IN INCHES - DO NOT SCALE THIS DRAWING
DIMENSIONS IN METRIC - []



Electrical Testing
per Tusonix standard
test plans and Mil-Std-202
Test Methods.



MOUNTING HARDWARE



- NOTES:**
- TUSONIX STANDARD PART NUMBER: 4400-060.
TUSONIX RoHS COMPLIANT PART NUMBER: 4400-060 LF.
CUSTOMER MUST SPECIFY STANDARD OR RoHS PART NUMBER WHEN ORDERING.
 - MATERIALS: SILVER PLATED BUSHING, LEAD, AND MOUNTING HARDWARE.
 - PART MARKING: TRADEMARK AND VARIATION NUMBER ON HEX FLATS.
STANDARD PART: BLACK INK. RoHS PART: GREEN INK.
 - OPERATING TEMPERATURE RANGE: -55°C TO +125°C.
 - MAXIMUM RECOMMENDED SOLDERING TEMPERATURE: 260°C.
 - SUPPLIED WITH HEX NUT AND INTERNAL TOOTH LOCK WASHER.
 - MAXIMUM RECOMMENDED MOUNTING TORQUE, 2.0 lb-in [.226 Nm].

CAP.(pf)	TOLERANCE	WORKING VOLTAGE DC		PEAK CURRENT (AMPS)	I.R. MIN. @ 100 (VDC)	DWV (VDC)	MIN. NO LOAD INSERTION LOSS (dB) @ 25°C PER MIL-STD-220				
		85°C	125°C				1 MHz	10 MHz	100 MHz	1 GHz	10 GHz
27,000	GMV	70	50	10	10 G Ω	150	10	28	45	65	70

REVISION RECORD Original Release C.O. 20000614-2-01 DIM. .038 WAS .030. S.M. 11-08-01 20011102-1-07 ADDED AND REVISED NOTES. ADDED IR & DWV S.M. 01-24-06 20060109-3-07	0	BUSHING STYLE EMI FILTER Title Drawn S.M. 06-14-00 Scale 5 X Approved T.C. 06-14-00 A 4400-060
	1	
	2	
	3	
TUSONIX TUCSON, ARIZONA		

X-2015 Rev-0