

Description

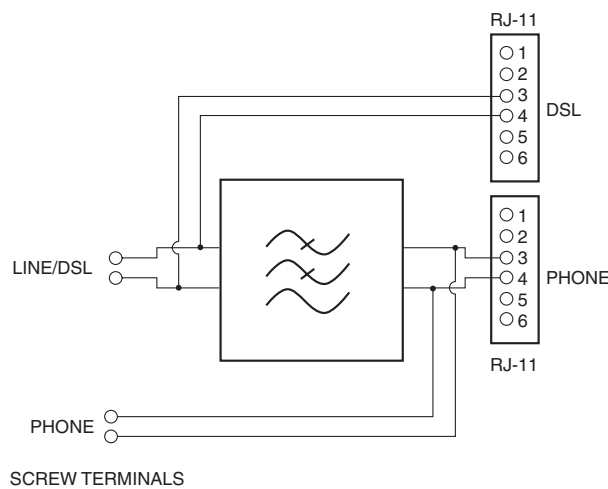
The CP-V413PS is a Video-Grade wall plate splitter designed to expedite the service delivery and improve the performance of digital subscriber line (xDSL) services over plain old telephone service (POTS).

The CP-V413PS is ideal for digital video applications. The splitter uses Enhanced Transient Signal Suppression (ETSS)™ for short and long loops to minimize bit and frame errors during ringing and on/off-hook transitions. ETSS provides maximum data throughput and video quality for ADSL2+, VDSL and VDSL2 applications.

In addition, the CP-V413PS splitter filters all telephones, facsimile (fax) machines, answering machines, and other telephone equipment. Its design electronically isolates the high-speed xDSL data stream from voice-band frequencies to provide premium voice quality and optimal DSL data rates.

Applications

The CP-V413PS is installed as the first telephone jack in the subscribers' premises to isolate all voice-band equipment connected to that line. This product is also ideal for users and hotel operators who wish to eliminate the use of modular DSL filters.



CP-V413PS Block Schematic



CP-V413PS VDSL2 Video-Grade CPE Splitter

The CP-V413PS Video-Grade CPE Splitter is one of many splitters and filters manufactured by Excelsus, a brand of Pulse, for digital services within homes, offices, and hotels. Excelsus is the number one selling brand of DSL filters and splitters worldwide.

Features

- Isolates telephone equipment impedances from DSL
- Blocks DSL signals from voice-band equipment
- Minimizes bit and frame error rates to maximize data throughput and video quality
- Compliant with ANSI T1.413-1998 Issue 2 Annex E and ITU-T G.992.1 E.2
- Environmentally hardened and sealed
- Compatible with ADSL, ADSL2+, VDSL VDSL2, V.90 and Metallic Loop Testing
- UL / CSA 60950, FCC CFR 47 Part 68, and IC CS-03

Z-BLOCKER® CP-V413PS VDSL2 Video-Grade NID Splitter Module

Electrical	
DC Loop Current	0 to 100 mA
DC Voltage (tip-to-ring)	-60 Vdc
Ringing Signals	103 Vrms, 20 to 30 Hz
DC Resistance (tip-to-ring)	< 25 Ω with line shorted
DC Resistance (tip-to-ground, ring-to-ground)	≥ 5 mΩ with line open
POTS Insertion Loss	< 1.0 dB @ 1004 Hz; Short Loop
	< 0.75 dB @ 1004 Hz; Long Loop
DSL to Line Insertion Loss	< 0.5 dB; 25 KHz to 30 MHz
Attenuation Distortion	+1.5 to -1.5 dB; 200 to 3400 Hz, Short Loop
	+2.0 to -2.0 dB; 3400 to 4000 Hz, Short Loop
	+0.5 to -1.5 dB; 200 to 3400 Hz, Long Loop
	+1.0 to -1.5 dB; 3400 to 4000 Hz, Long Loop
Delay Distortion	< 200 μsec; 600 to 3200 Hz, Short and Long Loops
	< 250 μsec; 200 to 4000 Hz, Short and Long Loops
Return Loss	> 6 dB ERL, > 5 dB SRL-L,
	> 3 dB SRL-H across frequency spectrum
	> 2 dB SRL-H for single frequencies
Intermodulation Distortion	≥ 57 dB second order
	≥ 60 dB third order
Longitudinal Balance (PSTN to Line port and Line port to PSTN; 25mA DC bias with xDSL port shorted)	> 58 dB; 200 to 1000 Hz
tip-to-ring Capacitance (POTS or PSTN port)	< 300 nF; 20 to 30 Hz
Capacitance-to-Ground (POTS or PSTN port)	< 1.0 nF; 20 to 30 Hz
xDSL Band Attenuation (input level = 10 dBm)	> 55 dB; 25 KHz to 30 MHz
Input Impedance (input level = -10 dBm)	< 0.25 dB; 30 to 1104 KHz
Mechanical	
Connectors: screw terminals for LINE/DSL and PHONE RJ11 Jacks for DSL and PHONE	
Splitter Dimensions: Height: 4.6 in. (116mm), Width: 2.8in. (71.3mm), Depth: 1.6 in. (30mm)	
Splitter Weight:	2.4 oz. (68g)
Environmental	
Relative Humidity	0 to 95%, non-condensing
Video: Upstream and downstream CRC's	≤ 1
Safety and Compliance	UL / CSA 60950, FCC CFR 47 Part 68, IC CS-03
PULSE Certified to be Video-Grade and compliant to Broad Band Forum TR127	