

## Description

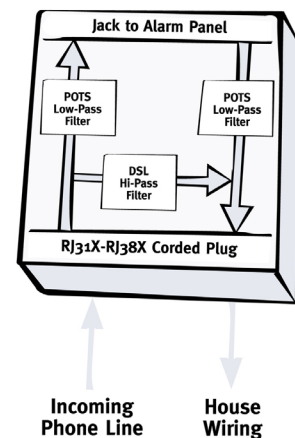
The Z-A431PJ31X is an Alarm Panel DSL Filter designed to allow to co-existence of DSL service in homes where security systems are installed. The Excelsus Alarm Panel DSL Filter isolates high-frequency DSL signals from low-frequency voice and data communication.

## Features

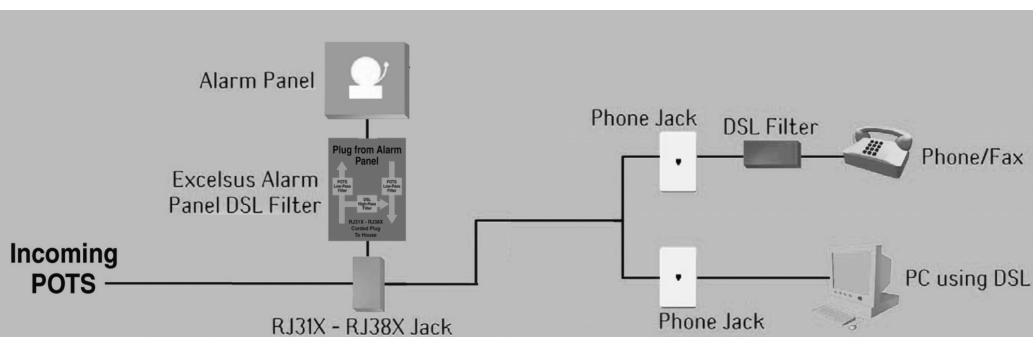
- Designed to be used with GE and Moose Panels
- Allows reliable alarm panel reporting and cut-line protection
- Uninterrupted DSL communication during alarm panel line seizure and incident reporting
- RJ31X-RJ38X connections for line seizure and cut-line protection
- Over-voltage protection, protecting alarm panel from power surges
- Easy installation for service provider personnel—less than 15 minutes to insert filter between alarm panel and phone line and perform a system test
- Compliant and Listed with FCC Part 68, CS-03, UL 60950 and CSA 22.2 60950



*Z-BLOCKER® Z-A431PJ31X  
Alarm Panel DSL Filter*



*Block Diagram*



**Smart Protection for Your Customers - and Your Business** To keep DSL from interfering with alarm panel modems - and blocking alarm calls - just plug the panel's RJ plug into the Alarm Panel DSL filter. From then on, our patented technology ensures line seizure and cut-line protection, so alarm calls can go out. Install one on every job - to protect your customers who have DSL now, and to protect your customers who add it later.

## Z-BLOCKER Z-A431PJ31X Alarm Panel DSL Filter Specifications

ADSL Insertion Loss (32 kHz to 1.1 MHz)	
32 kHz to 300 kHz	<8dB
300 kHz to 1.1 MHz	<7dB
Insertion Loss (1000 Hz)	
Short loop	<1.0dB
Long loop	<0.75dB
Insertion Loss (200 to 3400 Hz)	
Short loop	+3.5dB to -1.5dB
Long loop	+3.5dB to -1.5dB
Insertion Loss (3400 to 4000 Hz)	
Short loop	+10.0dB to -2.0dB
Long loop	+10.0dB to -1.5dB
DC Resistance in Ohms	
At Line port with POTS port shorted, Tip to Ring	<25Ω
At POTS port with Line port shorted, Tip to Ring	<25Ω
At any port with all other ports open, Tip/Ring to Ground	>5MΩ
Longitudinal Balance - Two Port	
200 to 1000 Hz	>58dB
At 3000 Hz	>53dB
Inter-Modulation Distortion at -9dB level	
Voice Band	>57dB
ADSL Band	>60dB
Envelope Delay (600 to 3200 Hz)	
Short loop	<200μs
Long loop	<200μs
Envelope Delay (3200 to 4000 Hz)	
Short loop	<200μs
Long loop	<200μs
Return Loss	
ERL	>6dB
SRL-L	>5dB
SRL-H	>3dB
SRL-H (2200 to 3400 Hz single frequency)	>2dB
Capacitance	
Tip to Ring	>20nF
Tip to Ring (without modem connected)	<115nF
At POTS port, Tip/Ring to Ground	<1nF
DC Loop Current - Meets specifications between 0 and 100 milliamps DC	
Isolates dial pulses and on-hook/off-hook transitions from the digital subscriber line	
Length = 60mm, 150mm including cord and plug; Width = 43mm; Height = 22mm	
US Pat. No. 6,472,992 and 6,404,347	