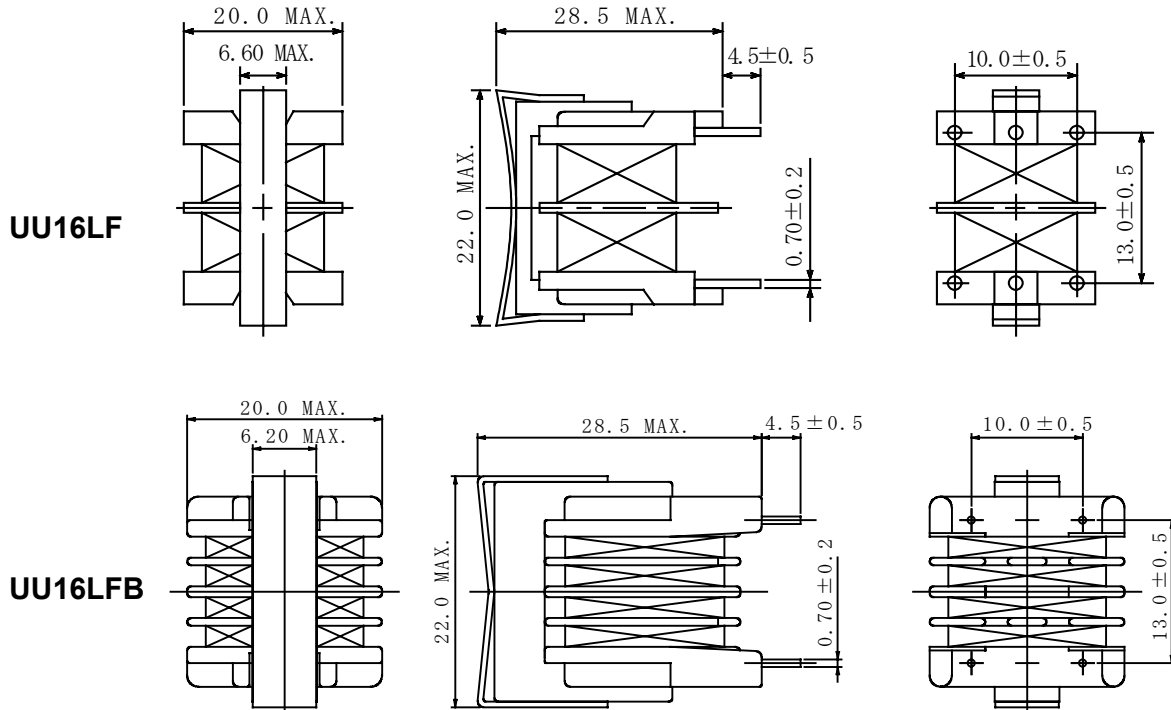


Type: UU16LF, UU16LFB
◆ Product Description

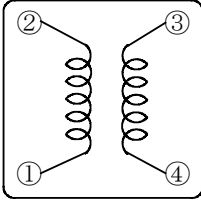
- 22.0×20.0mm Max.(L×W), 28.5mm Max. Height.
- Inductance range: 1.5mH~30mH
- Rated current range: 0.4~1.90A(UU16LF);0.35~1.75A(UU16LFB).
- In addition to the standard versions of parameters shown here, custom designs are available to meet your exact requirements.


◆ Feature

- Ideally used as AC common mode noise filter for TV, VCR, Switching power supply, NC machine, PC&PC related advice, measurement and control unit with better attenuation characteristics in low frequency band.
- UU16LFB has better high frequency characteristics for its split bobbin structure.
- RoHS Compliance.

◆ Dimensions (mm)


- * Dimension does not include solder used on coil.
- * Terminal pitch is measured at the base(not from tip of the pin)

Type: UU16LF, UU16LFB
◆ Schematics (Bottom)


- * Winding start is #1,#4 or #2,#3.
- * #1, #2 : should be same polarity.

◆ Specification(UU16LF)

NO.	Part No.	Stamp	Inductance [MIN.](mH) (1-2)(4-3) 1kHz	Inductance Balance [MAX.] (μ H)	D.C.R. (Ω) [MAX.] (1-2)(4-3) (at 20°C)	Rated current (50/60Hz) (Arms)※1
01	UU16LFNP-152	152	1.5	40	125m	1.9
02	UU16LFNP-4Ø2	402	4.0	60	270m	1.2
03	UU16LFNP-8Ø2	802	8.0	80	0.46	0.9
04	UU16LFNP-2Ø3	203	20	150	1.6	0.5
05	UU16LFNP-3Ø3	303	30	200	2.5	0.4

◆ Specification(UU16LFB)

NO.	Part No.	Stamp	Inductance [MIN.](mH) (1-2)(4-3) 1kHz	Inductance Balance [MAX.] (μ H)	D.C.R. (Ω) [MAX.] (1-2)(4-3) (at 20°C)	Rated Current (50/60Hz) (Arms)※1
01	UU16LFBNP-152	152	1.5	40	0.20	1.75
02	UU16LFBNP-4Ø2	402	4.0	60	0.35	1.00
03	UU16LFBNP-8Ø2	802	8.0	80	0.6	0.80
04	UU16LFBNP-2Ø3	203	20	200	1.5	0.45
05	UU16LFBNP-3Ø3	303	30	300	2.5	0.35

※1. Rated current: The AC current at which the temperature rise is $\Delta t=40^{\circ}\text{C}$. ($T_a=20^{\circ}\text{C}$).