

EMC Components

TF Series

Common Mode Choke Coils(Line Filters) for AC Power Supply Toroidal Core Type

TDK common mode choke coils(line filters) are used in a wide range of prevention of electromagnetic interference(EMI) and radio frequency interference(RFI) from power supply lines and for prevention of multifunctioning of products such as measuring equipment and system equipment.

RATINGS

Item	Standard value	Conditions
Rated voltage Eac(V)	80 to 280	
Dielectric withstanding voltage Eac(V)	2000	Between each winding for 1 minute
Insulation resistance Edc(MΩ)	100min.	Between each winding for 1 minute, Edc 500V
Temperature rise(°C)	45max.*	With line resistance, each line
Operating temperature range(°C)	-20 to +120	Including self-temperature rise
Safety standard	Japan Electric/Electronic Products Control Law, UL, CSA and IEC conformed(The safety standard is not acquired with the unit only.)	

* Except particular items.

- Measuring equipment of inductance value:
LCR meter(HP4261A, HP4263B or equivalent)

FEATURES

- Wide range of selection.
- High impedance at applicable frequency.
- High self-resonant frequency.

SELECTION CHART

Series	Configuration	Type	Inductance value min.	Rated current (A)	Handling power* $L \times I^2$ (mH×A ²)	Weight (g)typ.	Minimum package quantity (pieces/box)	
TF	Horizontal types (Toroidal core)	TF1028S	0.45 to 2.2mH	0.5 to 3	2.5	8	900	
		TF4825S	1, 2mH	10 to 15	200	95	120	
		TF6029S	1mH	20 to 30	400	205	70	
		TF2320HU	1 to 5mH	2 to 5	25	18	300	
		TF2514HU	0.1mH	5 to 7	4.9	18	300	
		TF2519HU	1 to 5mH	2 to 5	25	16	300	
		TF3424HU	0.3 to 8mH	4 to 20	120	42	250	
		TF4930HU	1 to 10mH	6 to 20	400	87	120	
		TF1815HU	3 to 10mH	0.3 to 2	12	6	600	
		TF4131HU	0.7 to 3mH	10 to 18	226.8	76	150	
		TF6136HU	1, 2mH	15 to 30	900	172	75	
		TF1320S	1 to 4mH	1.5 to 3	9	6.5	1000	
		TF2528S	0.45 to 7mH	2.5 to 10	50	19.5	840	
		TF3233S	0.25 to 10mH	3 to 20	130	41	320	
	Vertical types (Toroidal core)	TF1713VU	1, 2mH	1 to 3	8	4	2000	
		TF1714VU	1 to 15mH	1 to 3	9	6	2000	
		TF2420VU	1 to 8mH	2 to 6	36	18	800	
		TF2514VU	0.13 to 12mH	2 to 7	6.4	8	800	
		TF3423VU	0.5 to 10mH	4 to 20	200	45	400	
		TF4725VU	2 to 10mH	6 to 15	225	85	90	
		TF1821VU	2 to 10mH	0.3 to 2	8	7	800	
		TF2326VU	1 to 3mH	2 to 6	36	19	800	
		TF2527VU	1 to 3mH	2 to 6	36	20	800	
		TF3435VU	0.3 to 10mH	4 to 20	120	40	400	
		With nano crystallization alloy magnetically soft material(Toroidal core)	TF2326VU-M	3 to 10mH	3 to 6	170	20	800
			TF3435VU-M	8 to 33mH	4 to 10	800	38	400
			TF4930HU-M	6 to 40mH	6 to 15	1350	99.8	120
			TF6337HU-M	4 to 10mH	15 to 30	3600	204.9	75
Multi-section case types (For high frequency)	TF3329B		8.5 to 15mH	2.5 to 3.5	100	40.5	375	

PRODUCT IDENTIFICATION

UF □□□□ V □ - □□□Y □R□ - 01
(1) (2) (3) (4) (5) (6) (7)

(1)Core shape

UF: U-type core

TF: Toroidal core

HF: Square shaped closed magnetic circuit core type

Double-square shaped closed magnetic circuit core type

(2)Dimensional code(Length×Height)

(3)External shape code

(4)TDK's internal code

(5)Inductance value

Example) 602: $60\mu\text{H} \times 10^2 = 6\text{mH}$

(6)Rated current value

Example) 2R5: 2.5A

(7)Product management number




EMC Components**TF Series****Common Mode Choke Coils(Line Filters) for AC Power Supply
Toroidal Core Type****SELECTION CHART**

Series	Configuration	Type	Inductance value min.	Rated current (A)	Handling power* $L \times I^2$ (mH×A ²)	Weight (g)typ.	Minimum package quantity (pieces/box)
TF	Vertical types(Toroidal core) (For high frequency)	TF1707VU	20, 100μH	2 to 3	0.9	2.5	2000
		TF1709VU	20, 100μH	2 to 3	0.9	3.2	3000
		TF2326VU-H	30, 50μH	4 to 5	0.75	19.7	800
		TF3435VU-H	30 to 60μH	8 to 15	6.75	35.8	400
	For three phase lines(Toroidal core)	TF6030T	1 to 7.5mH	5 to 14	160	150	70
		TF6035T	0.2 to 1.6mH	15 to 30	400	160	70
		TF3524TU	1 to 5mH	3 to 5	50	40	200
		TF4333TU	0.5 to 5mH	5 to 15	112.5	95.1	120
		TF5228TU	1 to 5mH	5 to 10	200	109.7	90
		TF6332TU	0.5 to 2mH	15 to 25	312.5	212.1	75
TF6340TU	1 to 3mH	10 to 25	625	258.4	75		

* Handling power=(Inductance value)×(Current)². It is possible to design within the range below this value.
[Example] The coil for 2A can make even the inductance of 2.5mH or less a product for handling power 10.

THE LINE-UP OF TDK LINE FILTER

Rated current (A)	Inductance(mH)						
	0.1 to 1	1 to 2	2 to 5	5 to 10	10 to 20	20 to 40	40min.
1.5							
2.0				TF2528			
3.0			TF2528	TF3233			
5.0		TF2528	TF3233	TF6035T(Three phase lines)	TF4930		
10.0	TF2528	TF3233	TF6035T(Three phase lines)	TF4930	TF6337		
15.0	TF3233	TF6035T(Three phase lines)	TF4930				
20.0	TF6035T(Three phase lines)	TF4930		TF6337			
25.0	TF6035T(Three phase lines)						
30.0	TF6035T(Three phase lines)		TF6337				

- Classification by application
-  Displays for TV set and computer
 -  Air conditioners(Outdoor machine), microwave ovens
 -  Industrial devices, control devices, etc.

EMC Components

TF Series

Common Mode Choke Coils (Line Filters) for AC Power Supply Toroidal Core Type

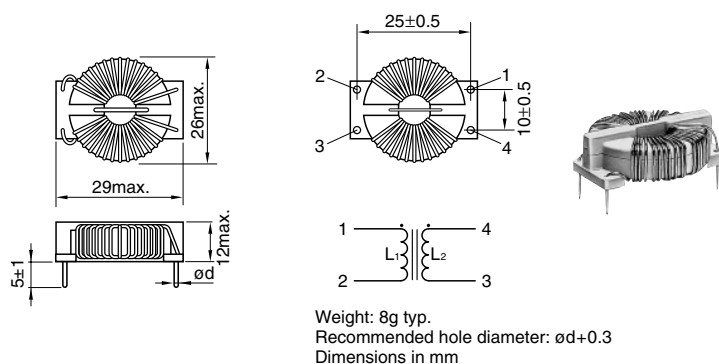
HORIZONTAL TYPE

TF SERIES

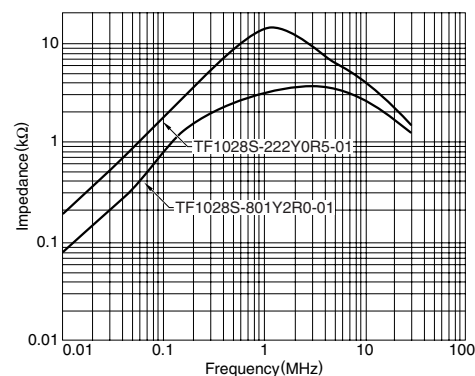
FEATURES

- This series uses a high permeability toroidal ferrite core and therefore provides large inductance with a little number of turns.
- Therefore its stray capacity is small and it keeps the impedance required to effectively suppress high frequency noises.
- Products mounted on a base with fixed leads are easy to insert to circuit boards.

TF1028S (HORIZONTAL TYPE WITH TERMINAL BASE) TYPE SHAPES AND DIMENSIONS/CIRCUIT DIAGRAM



TYPICAL ELECTRICAL CHARACTERISTICS IMPEDANCE vs. FREQUENCY CHARACTERISTICS



ELECTRICAL CHARACTERISTICS

Part No.	Inductance (mH)min.	L ₁ -L ₂ inductance difference (μ H)max.	DC resistance (Ω)max.	Rated current I _{ac} (A)max.	Dimensions(mm)
					ϕd
TF1028S-222Y0R5-01	2.2	50	0.2	0.5	0.4
TF1028S-162Y1R3-01	1.6	50	0.2	1.3	0.4
TF1028S-102Y1R5-01	1	50	0.1	1.5	0.45
TF1028S-801Y2R0-01	0.8	50	0.1	2	0.5
TF1028S-451Y3R0-01	0.45	50	0.06	3	0.6

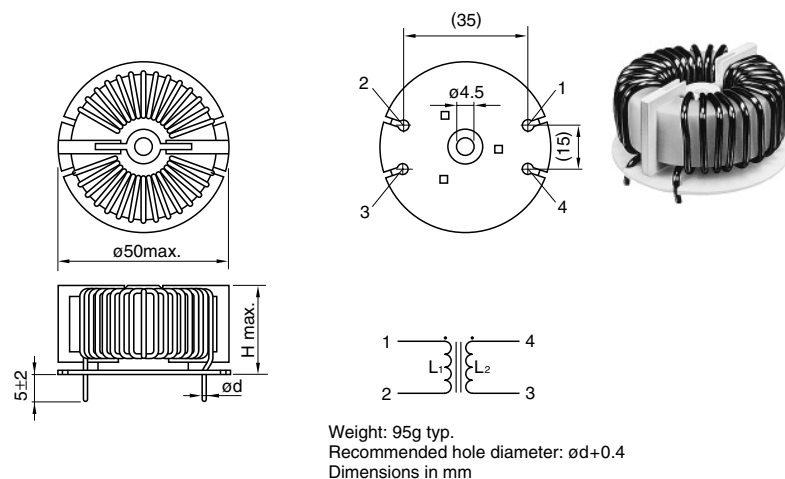
EMC Components

TF Series

Common Mode Choke Coils(Line Filters) for AC Power Supply Toroidal Core Type

TF4825S(HORIZONTAL TYPE WITH TERMINAL BASE) TYPE

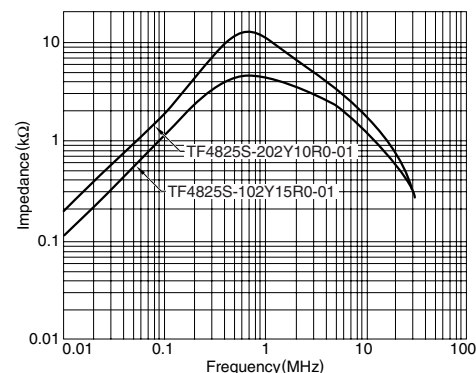
SHAPES AND DIMENSIONS/CIRCUIT DIAGRAM



TYPICAL ELECTRICAL CHARACTERISTICS

IMPEDANCE vs. FREQUENCY

CHARACTERISTICS

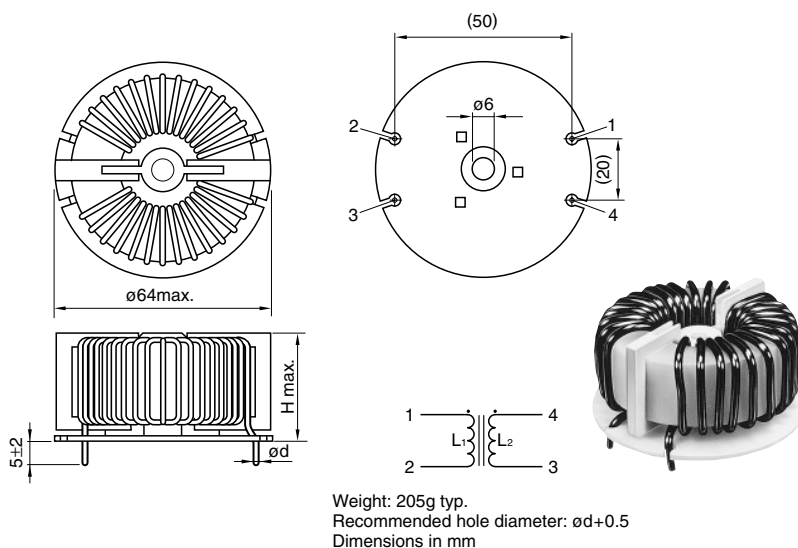


ELECTRICAL CHARACTERISTICS

Part No.	Inductance (mH)min.	L ₁ -L ₂ inductance difference (μH)max.	DC resistance (mΩ)max.	Rated current I _{ac} (A)max.	Dimensions(mm)	
					φd	H max.
TF4825S-202Y10R0-01	2	50	20	10	1.3	28
TF4825S-102Y15R0-01	1	50	7.5	15	1.8	31

TF6029S(HORIZONTAL TYPE WITH TERMINAL BASE) TYPE

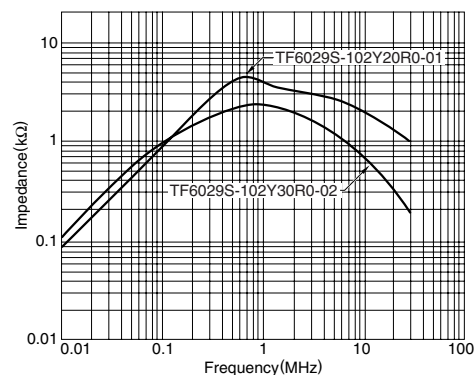
SHAPES AND DIMENSIONS/CIRCUIT DIAGRAM



TYPICAL ELECTRICAL CHARACTERISTICS

IMPEDANCE vs. FREQUENCY

CHARACTERISTICS



ELECTRICAL CHARACTERISTICS

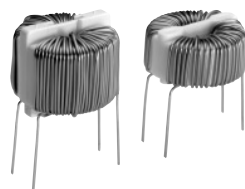
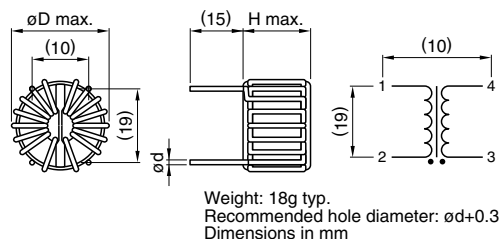
Part No.	Inductance (mH)min.	L ₁ -L ₂ inductance difference (μH)max.	DC resistance (mΩ)max.	Rated current I _{ac} (A)max.	Dimensions(mm)	
					φd	H max.
TF6029S-102Y20R0-01	1	50	5	20	2.3	36
TF6029S-102Y30R0-02	1	50	4	30	2.6	40

EMC Components

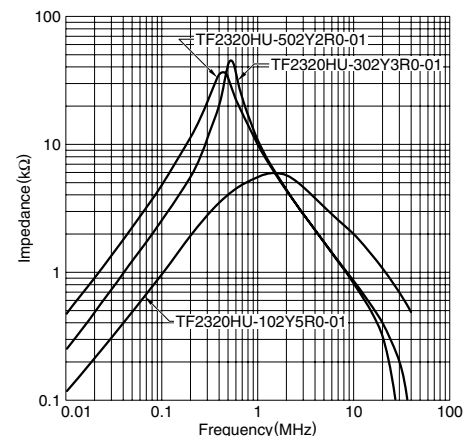
TF Series

Common Mode Choke Coils(Line Filters) for AC Power Supply Toroidal Core Type

TF2320HU/TF2514HU(HORIZONTAL TYPE WITHOUT TERMINAL BASE) TYPE SHAPES AND DIMENSIONS/CIRCUIT DIAGRAM



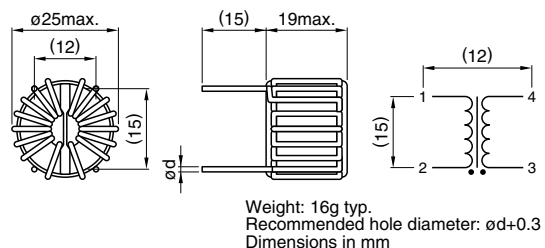
TYPICAL ELECTRICAL CHARACTERISTICS IMPEDANCE vs. FREQUENCY CHARACTERISTICS



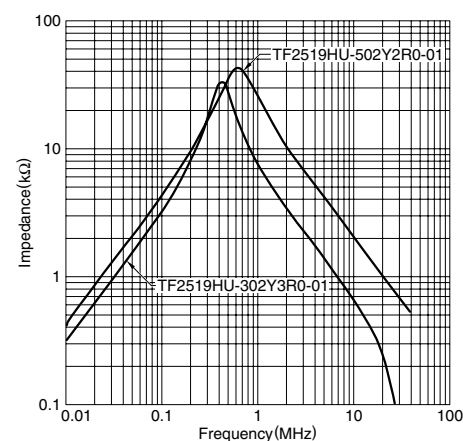
ELECTRICAL CHARACTERISTICS

Part No.	Inductance (mH)min.	L1-L2 inductance difference (μH)max.	DC resistance (mΩ)max.	Rated current Iac (A)max.	Dimensions(mm)		
					ød	øD max.	H max.
TF2320HU type							
TF2320HU-102Y2R0-01	1	50	100	2	0.5	23	20
TF2320HU-502Y2R0-01	5	100	130	2	0.6	23	20
TF2320HU-302Y3R0-01	3	150	90	3	0.65	23	20
TF2320HU-102Y5R0-01	1	50	50	5	0.8	23	20
TF2514HU type							
TF2514HU-101Y5R0-01	0.1	30	40	5	0.8	24	13
TF2514HU-101Y7R0-01	0.1	30	10	7	1.1	25	14

TF2519HU(HORIZONTAL TYPE WITHOUT TERMINAL BASE) TYPE SHAPES AND DIMENSIONS/CIRCUIT DIAGRAM



TYPICAL ELECTRICAL CHARACTERISTICS IMPEDANCE vs. FREQUENCY CHARACTERISTICS



ELECTRICAL CHARACTERISTICS

Part No.	Inductance (mH)min.	L1-L2 inductance difference (μH)max.	DC resistance (Ω)max.	Rated current Iac (A)max.	Dimensions(mm)	
					ød	H max.
TF2519HU-202Y2R0-01	2	100	110	2	0.55	
TF2519HU-502Y2R0-01	5	150	130	2	0.55	
TF2519HU-102Y3R0-01	1	50	70	3	0.65	
TF2519HU-302Y3R0-01	3	100	90	3	0.7	
TF2519HU-102Y5R0-01	1	50	50	5	0.8	

• All specifications are subject to change without notice.

TDK

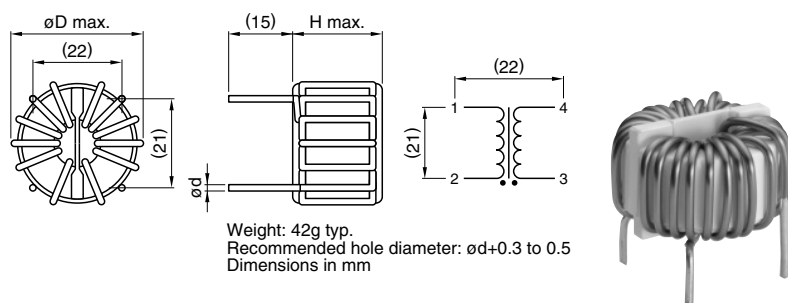
EMC Components

TF Series

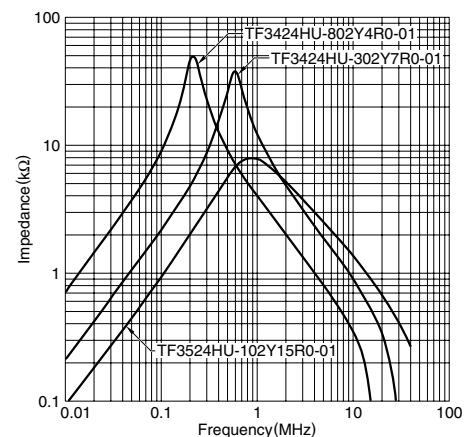
Common Mode Choke Coils (Line Filters) for AC Power Supply Toroidal Core Type

TF3424HU (HORIZONTAL TYPE WITHOUT TERMINAL BASE) TYPE

SHAPES AND DIMENSIONS/CIRCUIT DIAGRAM



TYPICAL ELECTRICAL CHARACTERISTICS IMPEDANCE vs. FREQUENCY CHARACTERISTICS



ELECTRICAL CHARACTERISTICS

Part No.	Inductance (mH)min.	L1-L2 inductance difference (μ H)max.	DC resistance (m Ω)max.	Rated current Iac (A)max.	Dimensions(mm)		
					ϕ d	ϕ D max.	H max.
TF3424HU-802Y4R0-01	8	200	90	4	0.8	31	21
TF3424HU-502Y5R0-01	5	150	80	5	0.8	31	21
TF3424HU-302Y7R0-01	3	150	60	7	1	31	21
TF3424HU-102Y10R0-01	1	50	30	10	1.3	33	23
TF3424HU-202Y10R0-01	2	80	40	10	1.3	33	23
TF3424HU-102Y15R0-01	1	50	20	15	1.5	33	23
TF3424HU-301Y20R0-01	0.3	30	10	20	1.8	34	24

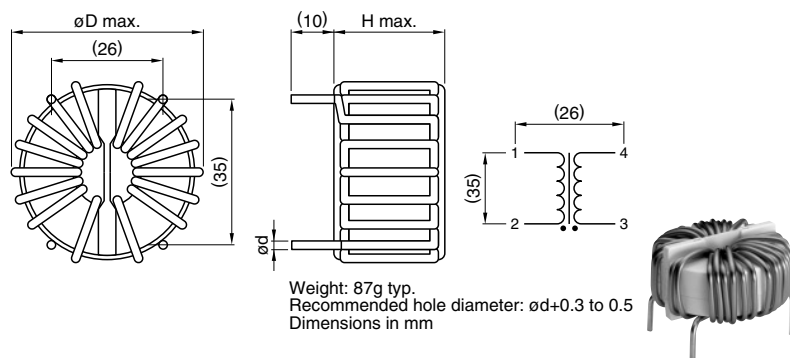
EMC Components

TF Series

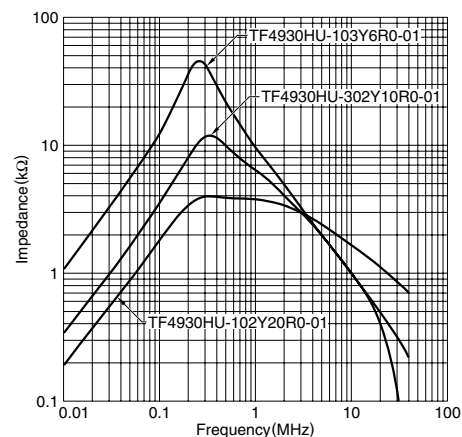
Common Mode Choke Coils(Line Filters) for AC Power Supply Toroidal Core Type

TF4930HU(HORIZONTAL TYPE WITHOUT TERMINAL BASE) TYPE

SHAPES AND DIMENSIONS/CIRCUIT DIAGRAM



TYPICAL ELECTRICAL CHARACTERISTICS IMPEDANCE vs. FREQUENCY CHARACTERISTICS

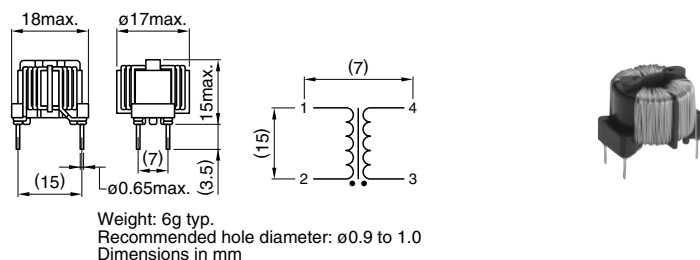


ELECTRICAL CHARACTERISTICS

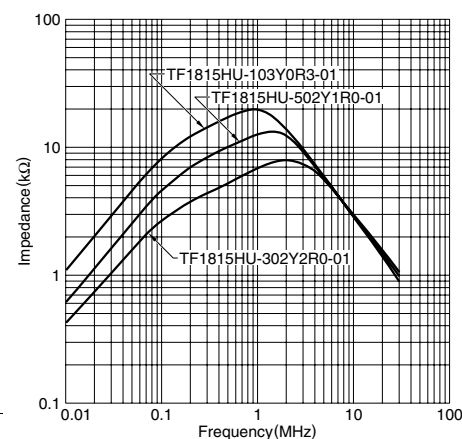
Part No.	Inductance (mH)min.	L1-L2 inductance difference (μ H)max.	DC resistance (m Ω)max.	Rated current Iac (A)max.	Dimensions(mm)		
					ϕd	ϕD max.	H max.
TF4930HU-103Y6R0-01	10	300	60	6	1.2	47	26
TF4930HU-202Y10R0-01	2	150	30	10	1.3	47	26
TF4930HU-302Y10R0-01	3	150	35	10	1.3	47	26
TF4930HU-202Y15R0-01	2	150	25	15	1.8	48	27
TF4930HU-502Y15R0-01	5	200	35	15	1.5	48	27
TF4930HU-102Y20R0-01	1	50	20	20	2	49	30

TF1815HU(HORIZONTAL TYPE WITH TERMINAL BASE) TYPE

SHAPES AND DIMENSIONS/CIRCUIT DIAGRAM



TYPICAL ELECTRICAL CHARACTERISTICS IMPEDANCE vs. FREQUENCY CHARACTERISTICS



ELECTRICAL CHARACTERISTICS

Part No.	Inductance (mH)min.	L1-L2 inductance difference (μ H)max.	DC resistance (Ω)max.	Rated current Iac (A)max.
TF1815HU-103Y0R3-01	10	300	630	0.3
TF1815HU-502Y0R5-01	5	200	410	0.5
TF1815HU-103Y0R5-01	10	300	550	0.5
TF1815HU-502Y1R0-01	5	200	250	1
TF1815HU-103Y1R0-01	10	300	325	1
TF1815HU-302Y2R0-01	3	150	95	2

• All specifications are subject to change without notice.

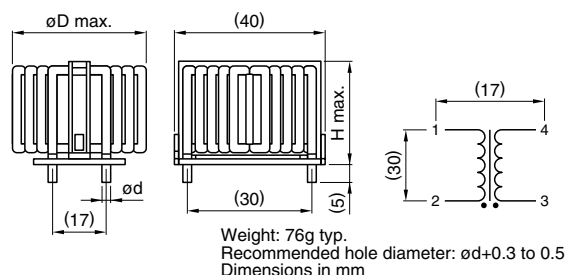
EMC Components

TF Series

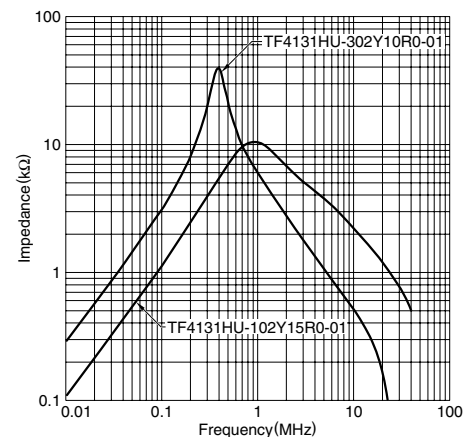
Common Mode Choke Coils(Line Filters) for AC Power Supply Toroidal Core Type

TF4131HU(HORIZONTAL TYPE WITH TERMINAL BASE) TYPE

SHAPES AND DIMENSIONS/CIRCUIT DIAGRAM



TYPICAL ELECTRICAL CHARACTERISTICS IMPEDANCE vs. FREQUENCY CHARACTERISTICS

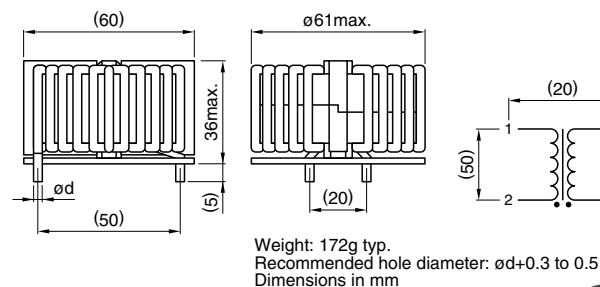


ELECTRICAL CHARACTERISTICS

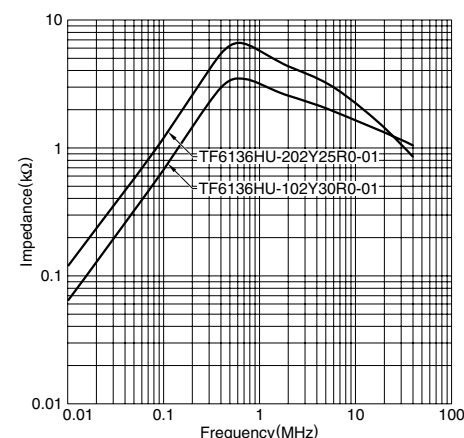
Part No.	Inductance (mH)min.	L1-L2 inductance difference (μ H)max.	DC resistance (m Ω)max.	Rated current Iac (A)max.	Dimensions(mm)		
					ϕd	ϕD max.	H max.
TF4131HU-202Y10R0-01	2	100	20	10	1.5	38	29
TF4131HU-302Y10R0-01	3	150	30	10	1.5	39	30
TF4131HU-202Y12R0-01	2	100	18	12	1.5	39	30
TF4131HU-102Y15R0-01	1	50	15	15	1.7	39	30
TF4131HU-701Y18R0-01	0.7	30	10	18	1.8	41	31

TF6136HU(HORIZONTAL TYPE WITH TERMINAL BASE) TYPE

SHAPES AND DIMENSIONS/CIRCUIT DIAGRAM



TYPICAL ELECTRICAL CHARACTERISTICS IMPEDANCE vs. FREQUENCY CHARACTERISTICS



ELECTRICAL CHARACTERISTICS

Part No.	Inductance (mH)min.	L1-L2 inductance difference (μ H)max.	DC resistance (Ω)max.	Rated current Iac (A)max.	Dimensions(mm)	
					ϕd	H max.
TF6136HU-202Y15R0-01	2	80	20	15	1.8	
TF6136HU-102Y20R0-01	1	50	10	20	1.8	
TF6136HU-202Y20R0-01	2	80	15	20	1.8	
TF6136HU-202Y25R0-01	2	80	15	25	2.4	
TF6136HU-102Y30R0-01	1	50	8	30	2.4	

• All specifications are subject to change without notice.

TDK

EMC Components

TF Series

Common Mode Choke Coils (Line Filters) for AC Power Supply Toroidal Core Type

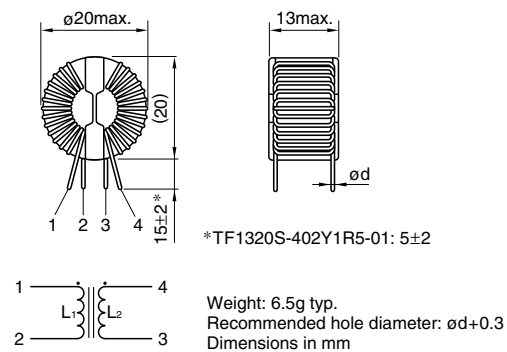
VERTICAL TYPE

TF SERIES

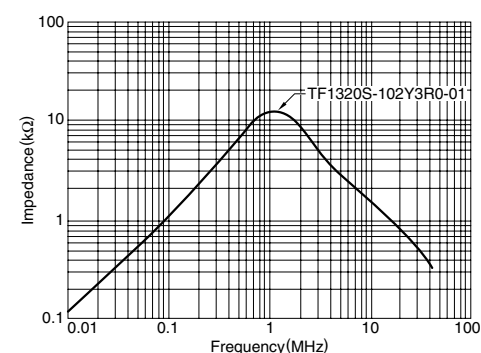
FEATURES

- This series uses a high permeability toroidal ferrite core and therefore provides large inductance with a little number of turns.
- Therefore its stray capacity is small and it provides the impedance levels required to effectively suppress high frequency noises.
- Products mounted on a base with fixed leads are easy to insert to circuit boards.

TF1320S (VERTICAL TYPE WITHOUT TERMINAL BASE) TYPE SHAPES AND DIMENSIONS/CIRCUIT DIAGRAM



TYPICAL ELECTRICAL CHARACTERISTICS IMPEDANCE vs. FREQUENCY CHARACTERISTICS



ELECTRICAL CHARACTERISTICS

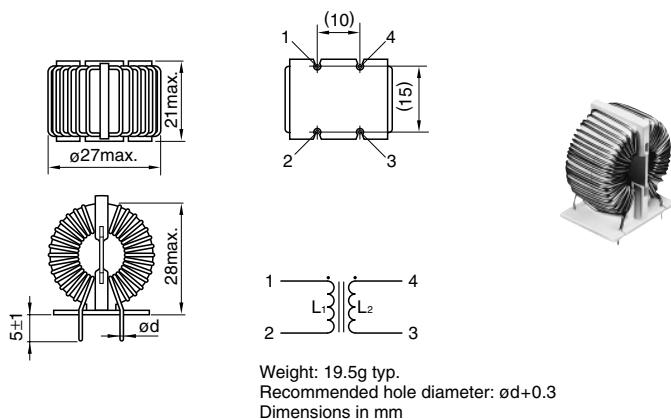
Part No.	Inductance (mH)min.	L ₁ -L ₂ inductance difference (μH)max.	DC resistance (Ω)max.	Rated current I _{ac} (A)max.	Dimensions(mm)
					ød
TF1320S-402Y1R5-01	4	100	0.2	1.5	0.4
TF1320S-222Y2R0-01	2.2	75	0.1	2	0.5
TF1320S-102Y3R0-01	1	40	0.04	3	0.6

EMC Components

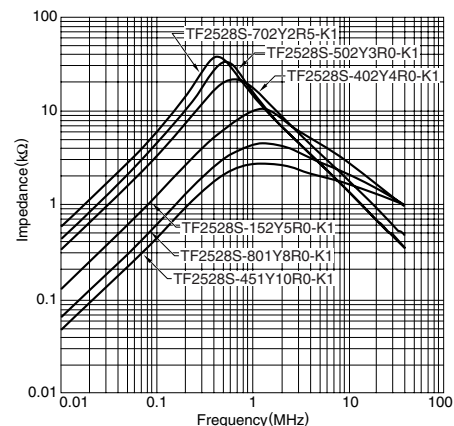
TF Series

Common Mode Choke Coils(Line Filters) for AC Power Supply Toroidal Core Type

TF2528S(VERTICAL TYPE WITH TERMINAL BASE) TYPE SHAPES AND DIMENSIONS/CIRCUIT DIAGRAM



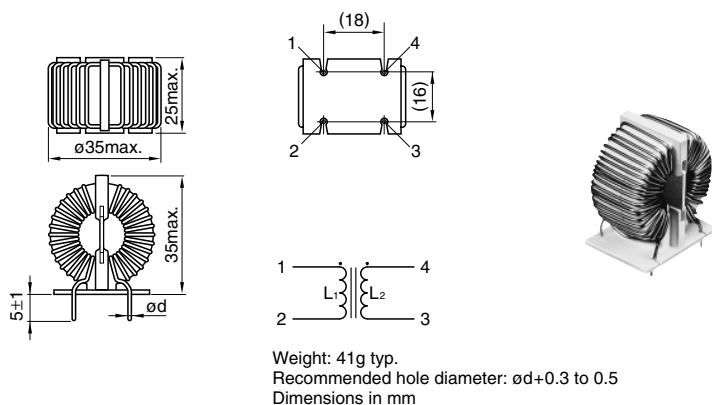
TYPICAL ELECTRICAL CHARACTERISTICS IMPEDANCE vs. FREQUENCY CHARACTERISTICS



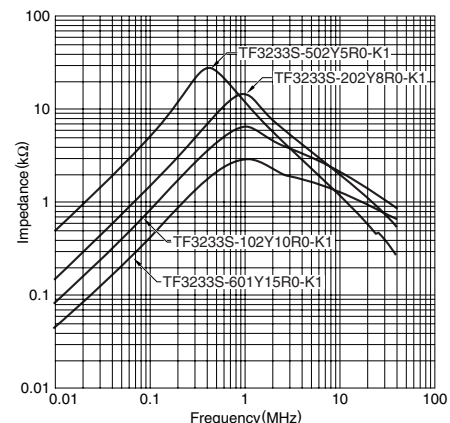
ELECTRICAL CHARACTERISTICS

Part No.	Inductance (mH)min.	L1-L2 inductance difference (μ H)max.	DC resistance (Ω)max.	Rated current Iac (A)max.	Dimensions(mm)
					ϕd
TF2528S-702Y2R5-K1	7	200	0.2	2.5	0.6
TF2528S-502Y3R0-K1	5	150	0.15	3	0.65
TF2528S-402Y4R0-K1	4	100	0.1	4	0.7
TF2528S-152Y5R0-K1	1.5	80	0.05	5	0.8
TF2528S-801Y8R0-K1	0.8	50	0.02	8	1
TF2528S-451Y10R0-K1	0.45	30	0.015	10	1.1

TF3233S(VERTICAL TYPE WITH TERMINAL BASE) TYPE SHAPES AND DIMENSIONS/CIRCUIT DIAGRAM



TYPICAL ELECTRICAL CHARACTERISTICS IMPEDANCE vs. FREQUENCY CHARACTERISTICS



ELECTRICAL CHARACTERISTICS

Part No.	Inductance (mH)min.	L1-L2 inductance difference (μ H)max.	DC resistance (Ω)max.	Rated current Iac (A)max.	Dimensions(mm)
					ϕd
TF3233S-103Y3R0-K1	10	200	0.15	3	0.7
TF3233S-702Y4R0-K1	7	150	0.1	4	0.8
TF3233S-502Y5R0-K1	5	100	0.05	5	0.9
TF3233S-402Y6R0-K1	4	80	0.03	6	1
TF3233S-202Y8R0-K1	2	60	0.025	8	1.2
TF3233S-102Y10R0-K1	1	30	0.02	10	1.3
TF3233S-601Y15R0-K1	0.6	50	0.007	15	1.6
TF3233S-251Y20R0-K1	0.25	50	0.005	20	1.8

• All specifications are subject to change without notice.

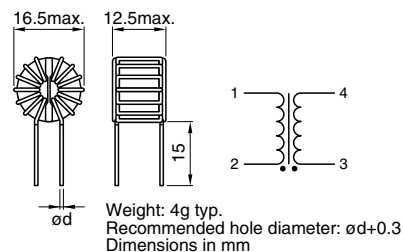
EMC Components

TF Series

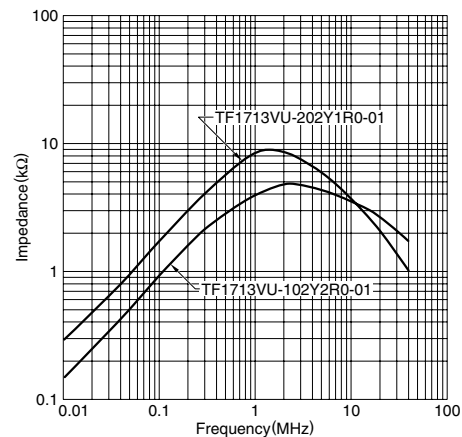
Common Mode Choke Coils(Line Filters) for AC Power Supply Toroidal Core Type

TF1713VU(VERTICAL TYPE WITHOUT TERMINAL BASE) TYPE

SHAPES AND DIMENSIONS/CIRCUIT DIAGRAM



TYPICAL ELECTRICAL CHARACTERISTICS IMPEDANCE vs. FREQUENCY CHARACTERISTICS

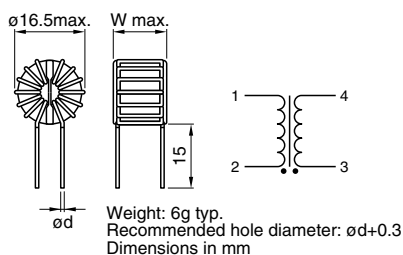


ELECTRICAL CHARACTERISTICS

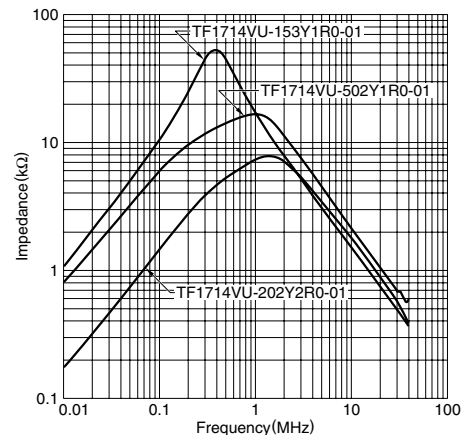
Part No.	Inductance (mH)min.	L1-L2 inductance difference (μH)max.	DC resistance (Ω)max.	Rated current Iac (A)max.	Dimensions(mm)	
					ød	
TF1713VU-202Y1R0-01	2	100	180	1	0.35	
TF1713VU-102Y2R0-01	1	50	100	2	0.4	
TF1713VU-102Y3R0-01	1	50	70	3	0.5	

TF1714VU(VERTICAL TYPE WITHOUT TERMINAL BASE) TYPE

SHAPES AND DIMENSIONS/CIRCUIT DIAGRAM



TYPICAL ELECTRICAL CHARACTERISTICS IMPEDANCE vs. FREQUENCY CHARACTERISTICS



ELECTRICAL CHARACTERISTICS

Part No.	Inductance (mH)min.	L1-L2 inductance difference (μH)max.	DC resistance (mΩ)max.	Rated current Iac (A)max.	Dimensions(mm)	
					ød	W max.
TF1714VU-502Y1R0-01	5	100	250	1	0.35	12
TF1714VU-802Y1R0-01	8	120	325	1	0.35	14
TF1714VU-103Y1R0-01	10	150	350	1	0.35	14
TF1714VU-153Y1R0-01	15	150	400	1	0.35	14
TF1714VU-202Y2R0-01	2	80	85	2	0.5	14
TF1714VU-102Y3R0-01	1	50	45	3	0.6	12

• All specifications are subject to change without notice.

TDK

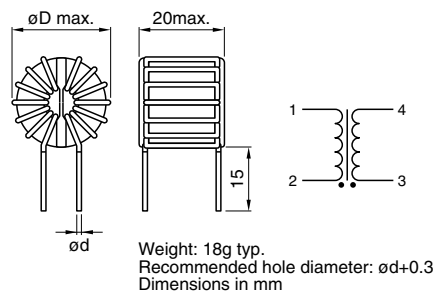
EMC Components

TF Series

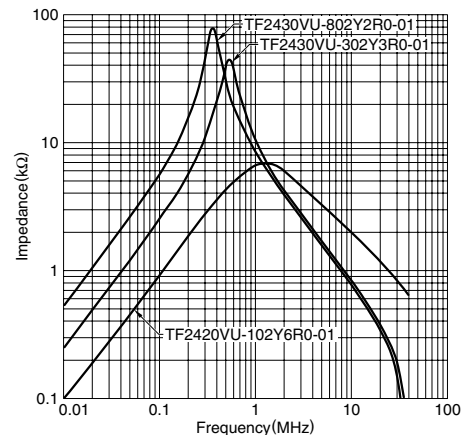
Common Mode Choke Coils(Line Filters) for AC Power Supply Toroidal Core Type

TF2420VU(VERTICAL TYPE WITHOUT TERMINAL BASE) TYPE

SHAPES AND DIMENSIONS/CIRCUIT DIAGRAM



TYPICAL ELECTRICAL CHARACTERISTICS IMPEDANCE vs. FREQUENCY CHARACTERISTICS

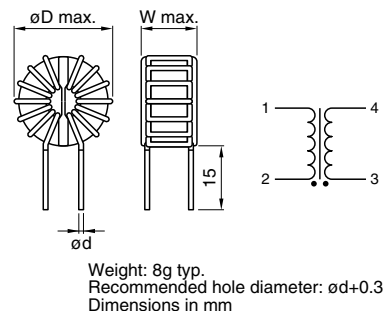


ELECTRICAL CHARACTERISTICS

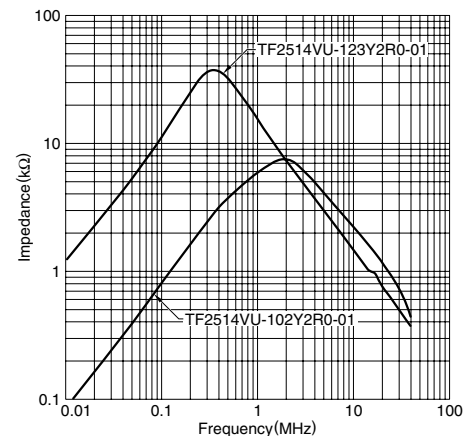
Part No.	Inductance (mH)min.	L1-L2 inductance difference (μH)max.	DC resistance (mΩ)max.	Rated current Iac (A)max.	Dimensions(mm)	
					ød	øD max.
TF2420VU-302Y2R0-01	3	150	110	2	0.6	23
TF2420VU-802Y2R0-01	8	200	150	2	0.55	23
TF2420VU-302Y3R0-01	3	150	100	3	0.65	23
TF2420VU-102Y5R0-01	1	50	50	5	0.8	23
TF2420VU-202Y5R0-01	2	100	90	5	0.8	23
TF2420VU-102Y6R0-01	1	50	30	6	0.9	23.5

TF2514VU(VERTICAL TYPE WITHOUT TERMINAL BASE) TYPE

SHAPES AND DIMENSIONS/CIRCUIT DIAGRAM



TYPICAL ELECTRICAL CHARACTERISTICS IMPEDANCE vs. FREQUENCY CHARACTERISTICS



ELECTRICAL CHARACTERISTICS

Part No.	Inductance (mH)min.	L1-L2 inductance difference (μH)max.	DC resistance (mΩ)max.	Rated current Iac (A)max.	Dimensions(mm)		
					ød	øD max.	H max.
TF2514VU-102Y2R0-01	1	50	100	2	0.5	23	13
TF2514VU-123Y2R0-01	12	150	120	2	0.5	23	13
TF2514VU-101Y5R0-01	0.1	30	40	5	0.8	24	13
TF2514VU-131Y7R0-01	0.13	30	10	7	1.1	25	14

• All specifications are subject to change without notice.

TDK

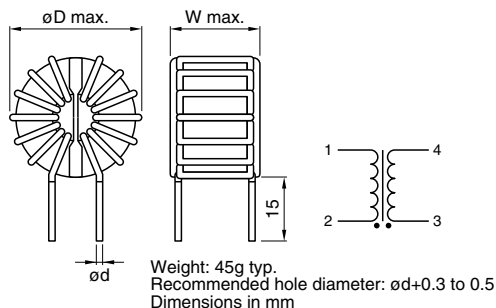
EMC Components

TF Series

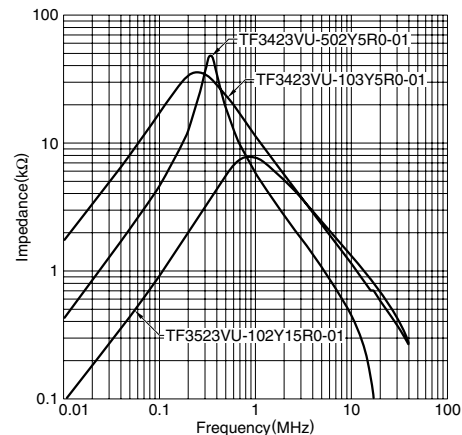
Common Mode Choke Coils(Line Filters) for AC Power Supply Toroidal Core Type

TF3423VU(VERTICAL TYPE WITHOUT TERMINAL BASE) TYPE

SHAPES AND DIMENSIONS/CIRCUIT DIAGRAM



TYPICAL ELECTRICAL CHARACTERISTICS IMPEDANCE vs. FREQUENCY CHARACTERISTICS

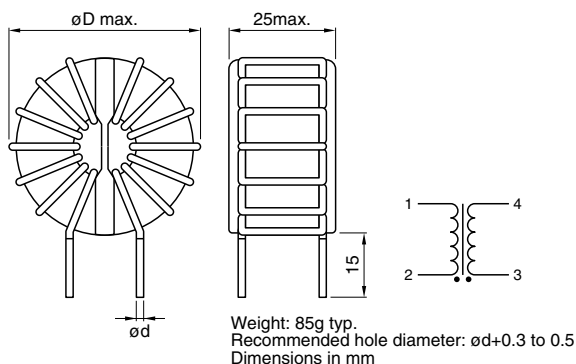


ELECTRICAL CHARACTERISTICS

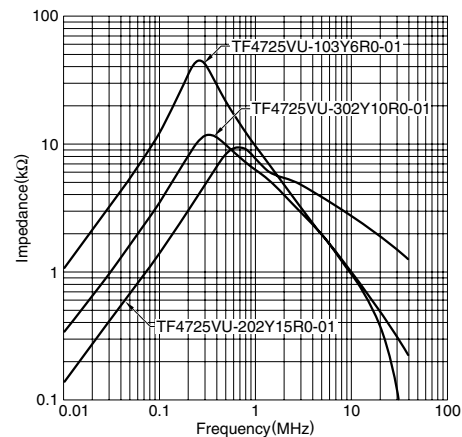
Part No.	Inductance (mH)min.	L1-L2 inductance difference (μ H)max.	DC resistance ($m\Omega$)max.	Rated current Iac (A)max.	Dimensions(mm)		
					ϕd	ϕD max.	H max.
TF3423VU-802Y4R0-01	8	200	90	4	0.8	31	21
TF3423VU-202Y5R0-01	2	100	50	5	0.8	31	21
TF3423VU-502Y5R0-01	5	150	80	5	0.8	31	21
TF3423VU-103Y5R0-01	10	300	100	5	0.9	31	21
TF3423VU-102Y10R0-01	1	50	30	10	1.3	33	23
TF3423VU-102Y15R0-01	1	50	20	15	1.5	33	23
TF3423VU-501Y20R0-01	0.5	30	10	20	1.8	34	23

TF4725VU(VERTICAL TYPE WITHOUT TERMINAL BASE) TYPE

SHAPES AND DIMENSIONS/CIRCUIT DIAGRAM



TYPICAL ELECTRICAL CHARACTERISTICS IMPEDANCE vs. FREQUENCY CHARACTERISTICS



ELECTRICAL CHARACTERISTICS

Part No.	Inductance (mH)min.	L1-L2 inductance difference (μ H)max.	DC resistance ($m\Omega$)max.	Rated current Iac (A)max.	Dimensions(mm)	
					ϕd	ϕD max.
TF4725VU-103Y6R0-01	10	300	60	6	1.2	45
TF4725VU-202Y10R0-01	2	100	90	10	1.3	45
TF4725VU-302Y10R0-01	3	150	50	10	1.3	45
TF4725VU-202Y15R0-01	2	100	70	15	1.8	47

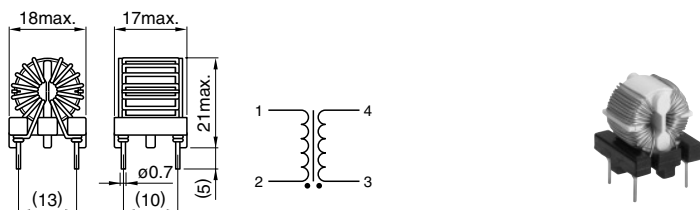
• All specifications are subject to change without notice.

EMC Components

TF Series

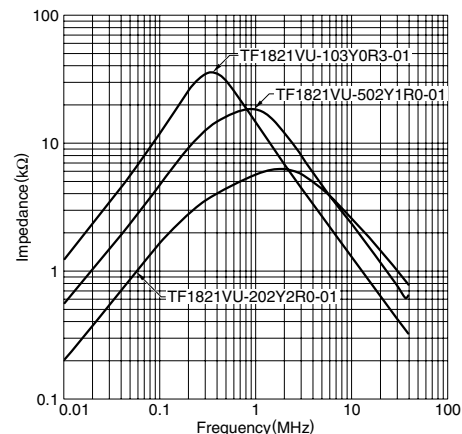
Common Mode Choke Coils(Line Filters) for AC Power Supply Toroidal Core Type

TF1821VU(VERTICAL TYPE WITH TERMINAL BASE) TYPE SHAPES AND DIMENSIONS/CIRCUIT DIAGRAM



Weight: 7g typ.
Recommended hole diameter: $\phi 0.9$ to 1.1
Dimensions in mm

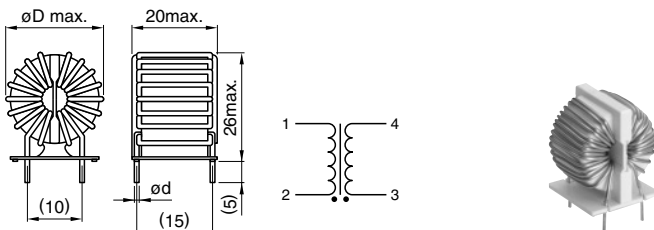
TYPICAL ELECTRICAL CHARACTERISTICS IMPEDANCE vs. FREQUENCY CHARACTERISTICS



ELECTRICAL CHARACTERISTICS

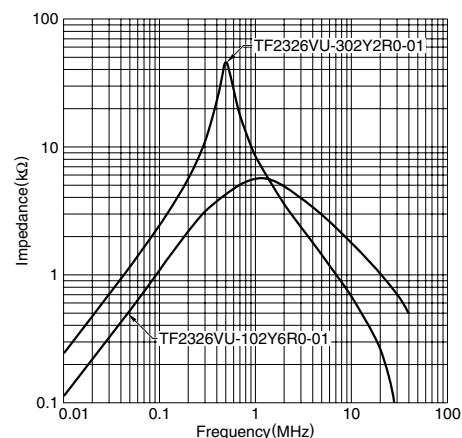
Part No.	Inductance (mH)min.	L1-L2 inductance difference (μH)max.	DC resistance (Ω)max.	Rated current lac (A)max.
TF1821VU-103Y0R3-01	10	300	630	0.3
TF1821VU-502Y0R5-01	5	200	410	0.5
TF1821VU-103Y0R5-01	10	300	550	0.5
TF1821VU-502Y1R0-01	5	200	250	1
TF1821VU-103Y1R0-01	10	300	325	1
TF1821VU-202Y2R0-01	2	100	85	2

TF2326VU(VERTICAL TYPE WITH TERMINAL BASE) TYPE SHAPES AND DIMENSIONS/CIRCUIT DIAGRAM



Weight: 19g typ.
Recommended hole diameter: $\phi d+0.3$
Dimensions in mm

TYPICAL ELECTRICAL CHARACTERISTICS IMPEDANCE vs. FREQUENCY CHARACTERISTICS



ELECTRICAL CHARACTERISTICS

Part No.	Inductance (mH)min.	L1-L2 inductance difference (μH)max.	DC resistance (mΩ)max.	Rated current lac (A)max.	Dimensions(mm)	
					ϕd	ϕD max.
TF2326VU-302Y2R0-01	3	150	120	2	0.6	23
TF2326VU-302Y3R0-01	3	150	100	3	0.65	23
TF2326VU-102Y5R0-01	1	50	50	5	0.8	23
TF2326VU-202Y5R0-01	2	100	90	5	0.8	23
TF2326VU-102Y6R0-01	1	50	30	6	0.9	23.5

• All specifications are subject to change without notice.

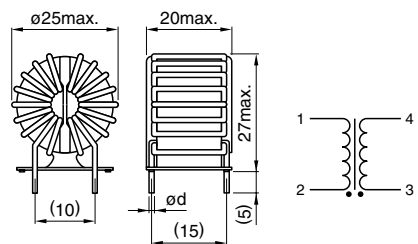


EMC Components

TF Series

Common Mode Choke Coils(Line Filters) for AC Power Supply Toroidal Core Type

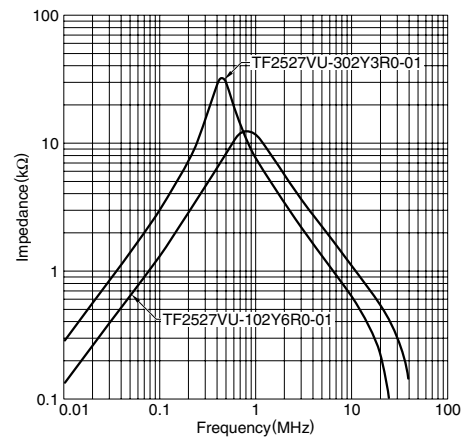
TF2527VU(VERTICAL TYPE WITH TERMINAL BASE) TYPE SHAPES AND DIMENSIONS/CIRCUIT DIAGRAM



Weight: 20g typ.
Recommended hole diameter: $\phi d + 0.3$
Dimensions in mm



TYPICAL ELECTRICAL CHARACTERISTICS IMPEDANCE vs. FREQUENCY CHARACTERISTICS



ELECTRICAL CHARACTERISTICS

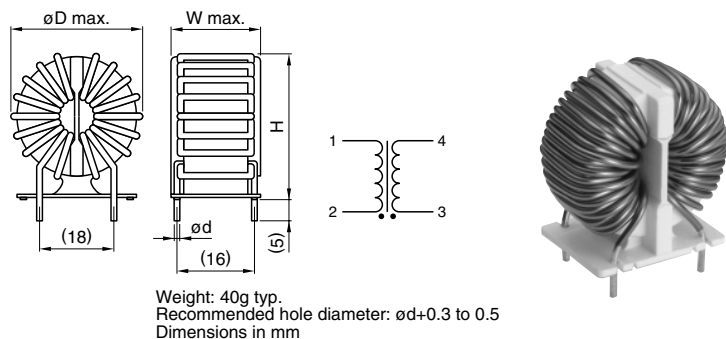
Part No.	Inductance (mH)min.	L1-L2 inductance difference (μ H)max.	DC resistance (Ω)max.	Rated current Iac (A)max.	Dimensions(mm) ϕd
TF2527VU-302Y2R0-01	3	150	120	2	0.6
TF2527VU-102Y3R0-01	1	50	90	3	0.65
TF2527VU-302Y3R0-01	3	150	110	3	0.65
TF2527VU-102Y5R0-01	1	50	70	5	0.8
TF2527VU-102Y6R0-01	1	50	60	6	0.9

EMC Components

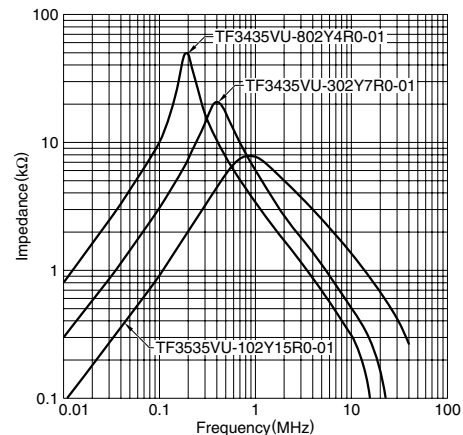
TF Series

Common Mode Choke Coils(Line Filters) for AC Power Supply Toroidal Core Type

TF3435VU(VERTICAL TYPE WITH TERMINAL BASE) TYPE SHAPES AND DIMENSIONS/CIRCUIT DIAGRAM



TYPICAL ELECTRICAL CHARACTERISTICS IMPEDANCE vs. FREQUENCY CHARACTERISTICS



ELECTRICAL CHARACTERISTICS

Part No.	Inductance (mH)min.	L1-L2 inductance difference (μ H)max.	DC resistance (m Ω)max.	Rated current Iac (A)max.	Dimensions(mm)			
					ϕd	ϕD max.	W max.	H max.
TF3435VU-802Y4R0-01	8	200	90	4	0.8	31	21	34
TF3435VU-502Y5R0-01	5	150	100	5	0.8	31	21	34
TF3435VU-103Y5R0-01	10	300	120	5	0.9	31	21	34
TF3435VU-302Y7R0-01	3	150	100	7	1	31	21	34
TF3435VU-102Y10R0-01	1	50	30	10	1.3	33	22	34
TF3435VU-202Y10R0-01	2	80	40	10	1.3	33	22	34
TF3435VU-102Y15R0-01	1	50	20	15	1.5	33	22	34
TF3435VU-301Y20R0-01	0.3	30	10	20	1.8	34	22	35

EMC Components

TF Series

Common Mode Choke Coils(Line Filters) for AC Power Supply

Toroidal Core Type with Nano Crystallization Alloy Magnetically Soft Material

TOROIDAL CORE TYPE WITH NANO CRYSTALLIZATION

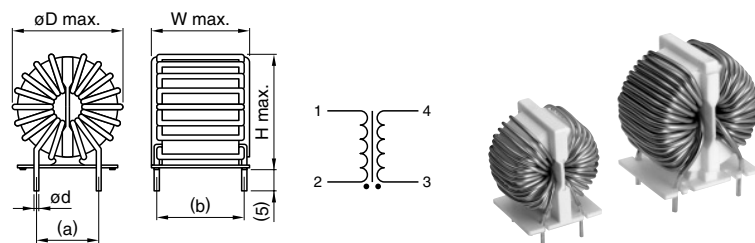
ALLOY MAGNETICALLY SOFT MATERIAL

TF SERIES

FEATURES

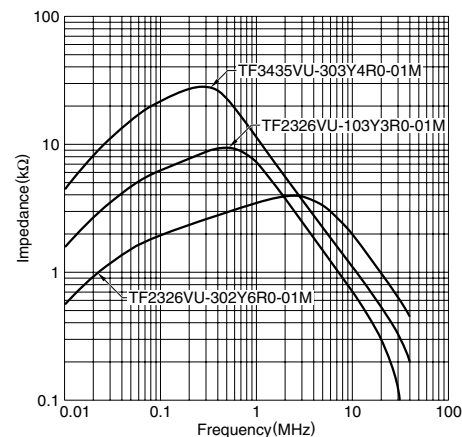
- This is a compact filter that provides large inductance due to the use of high permeability alloy with controlled nano-crystalline structures.
- Products mounted on a base will come with fixed leads and are therefore easy to insert to circuit boards.

TF2326VU-M/TF3435VU-M(VERTICAL TYPE WITH TERMINAL BASE) TYPE SHAPES AND DIMENSIONS/CIRCUIT DIAGRAM



Weight
 TF2326VU: 20g typ.
 TF3435VU: 38g typ.
 Recommended hole diameter: $\phi d + 0.3$
 Dimensions in mm

TYPICAL ELECTRICAL CHARACTERISTICS IMPEDANCE vs. FREQUENCY CHARACTERISTICS



ELECTRICAL CHARACTERISTICS

Part No.	Inductance (mH)min.	L1-L2 inductance difference (μH)max.	DC resistance (mΩ)max.	Rated current lac (A)max.	Dimensions(mm)					
					ød	D max.	W max.	H max.	(a)	(b)
TF2326VU-M type										
TF2326VU-103Y3R0-01M	10	300	100	3	0.65	23	20	26	10	15
TF2326VU-702Y5R0-01M	7	250	90	5	0.8	23	20	26	10	15
TF2326VU-302Y6R0-01M	3	150	30	6	0.9	23.5	20	26	10	15
TF3435VU-M type										
TF3435VU-303Y4R0-01M	30	500	90	4	0.8	33	23	34	18	16
TF3435VU-333Y5R0-01M	33	500	120	5	0.9	33	23	34	18	16
TF3435VU-802Y10R0-1M	8	250	40	10	1.3	35	23	34	18	16

EMC Components

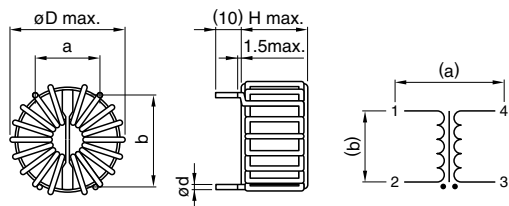
TF Series

Common Mode Choke Coils(Line Filters) for AC Power Supply

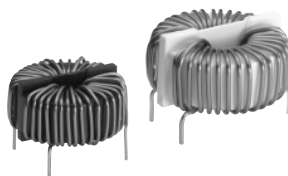
Toroidal Core Type with Nano Crystallization Alloy Magnetically Soft Material

TF4930HU-M/TF6337HU-M(HORIZONTAL TYPE WITHOUT TERMINAL BASE) TYPE

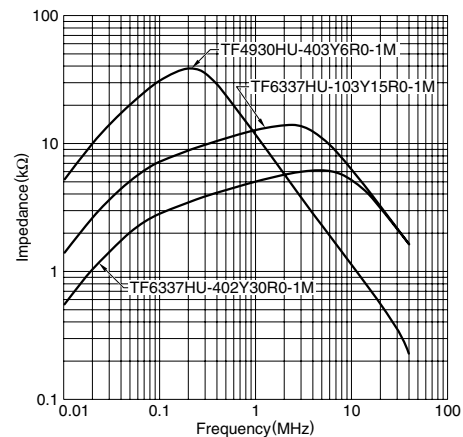
SHAPES AND DIMENSIONS/CIRCUIT DIAGRAM



Weight
 TF4930HU: 99.8g typ.
 TF6337HU: 204.9g typ.
 Recommended hole diameter: $\phi d + 0.3$ to 0.5
 Dimensions in mm



TYPICAL ELECTRICAL CHARACTERISTICS IMPEDANCE vs. FREQUENCY CHARACTERISTICS



ELECTRICAL CHARACTERISTICS

Part No.	Inductance (mH)min.	L ₁ -L ₂ inductance difference (μH)max.	DC resistance (mΩ)max.	Rated current I _{ac} (A)max.	Dimensions(mm)					
					ød	øD max.	H max.	(a)	(b)	
TF4930HU-M type										
TF4930HU-403Y6R0-1M	40	700	60	6	1.2	47	32	26	35	
TF4930HU-103Y10R0-1M	10	300	35	10	1.3	48	32	26	35	
TF4930HU-602Y15R0-1M	6	150	25	15	1.8	48	35	26	35	
TF6337HU-M type										
TF6337HU-103Y15R0-1M	10	300	15	15	1.8	60	36	20	50	
TF6337HU-802Y25R0-1M	8	200	15	25	2.4	63	37	20	50	
TF6337HU-402Y30R0-1M	4	150	10	30	2.4	63	37	20	50	

EMC Components

TF Series

Common Mode Choke Coils(Line Filters) for AC Power Supply Separable Case Type

MULTI-SECTION CASE TYPE (FOR HIGH FREQUENCY)

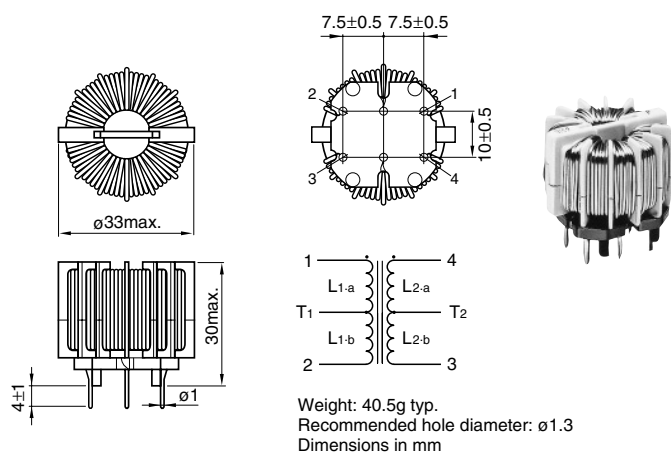
TF SERIES

FEATURES

- This series uses six-section windings for each line, which contribute to reduced stray capacity and excellent impedance characteristics in high frequency ranges.

TF3329B(FOR HIGH FREQUENCY) TYPE

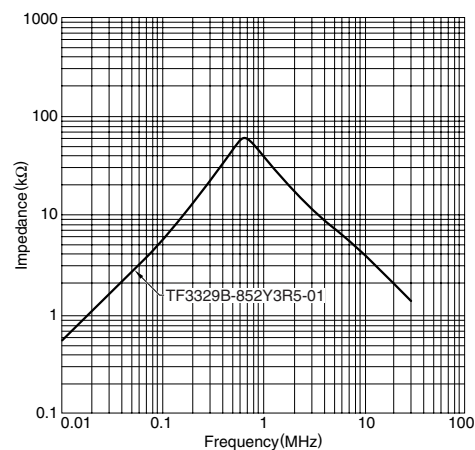
SHAPES AND DIMENSIONS/CIRCUIT DIAGRAM



TYPICAL ELECTRICAL CHARACTERISTICS

IMPEDANCE vs. FREQUENCY

CHARACTERISTICS



ELECTRICAL CHARACTERISTICS

Part No.	Inductance (mH)min.	L1-L2 inductance difference (μ H)max.	DC resistance (Ω)max.	Rated current Iac (A)max.
TF3329B-153Y2R5-01	15	300	120	2.5
TF3329B-103Y3R0-01	10	200	100	3
TF3329B-852Y3R5-01	8.5	170	70	3.5

EMC Components

TF Series

Common Mode Choke Coils(Line Filters) for AC Power Supply Toroidal Core Type

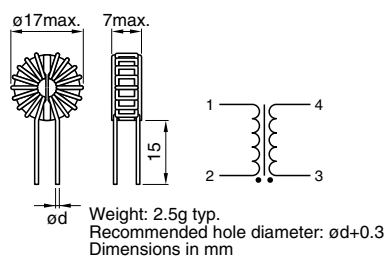
VERTICAL TYPE (FOR HIGH FREQUENCY)

TF SERIES

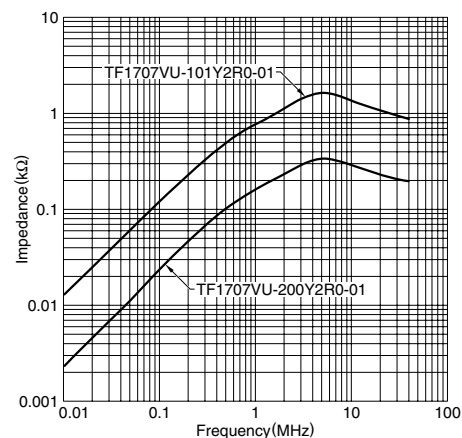
FEATURES

- To reduce stray capacity, this series uses a single layer winding and is designed to suppress high frequency noises.
- Base-mounted products with fixed leads are easy to insert.

TF1707VU(VERTICAL TYPE WITHOUT TERMINAL BASE) TYPE SHAPES AND DIMENSIONS/CIRCUIT DIAGRAM



TYPICAL ELECTRICAL CHARACTERISTICS IMPEDANCE vs. FREQUENCY CHARACTERISTICS



ELECTRICAL CHARACTERISTICS

Part No.	Inductance (μ H)min.	L1-L2 inductance difference (μ H)max.	DC resistance (Ω)max.	Rated current Iac (A)max.	Dimensions(mm)
					ϕd
TF1707VU-200Y2R0-01	20	10	50	2	0.6
TF1707VU-101Y2R0-01	100	20	40	2	0.6
TF1707VU-101Y3R0-01	100	20	30	3	0.65

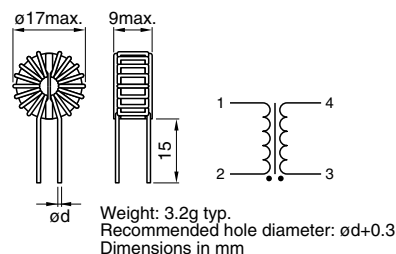
EMC Components

TF Series

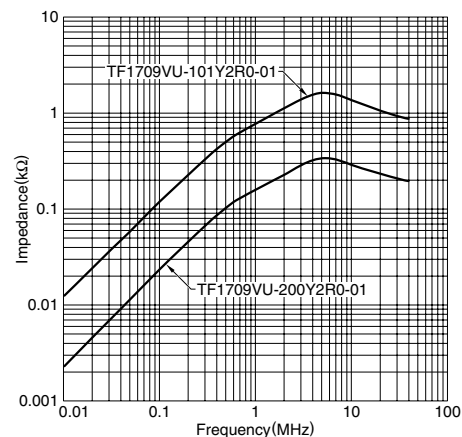
Common Mode Choke Coils(Line Filters) for AC Power Supply Toroidal Core Type

TF1709VU(VERTICAL TYPE WITHOUT TERMINAL BASE) TYPE

SHAPES AND DIMENSIONS/CIRCUIT DIAGRAM



TYPICAL ELECTRICAL CHARACTERISTICS IMPEDANCE vs. FREQUENCY CHARACTERISTICS

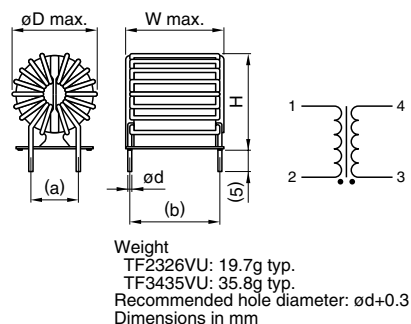


ELECTRICAL CHARACTERISTICS

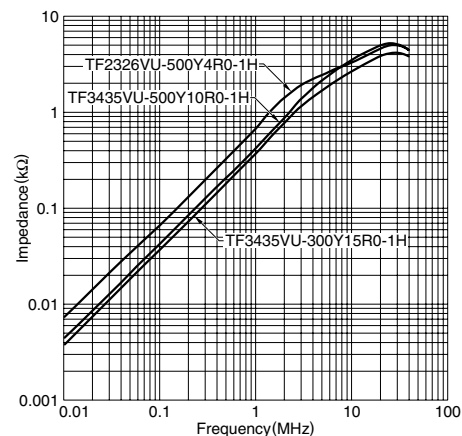
Part No.	Inductance (μ H)min.	L1-L2 inductance difference (μ H)max.	DC resistance (Ω)max.	Rated current Iac (A)max.	Dimensions(mm)	
					ϕd	
TF1709VU-200Y2R0-01	20	10	50	2	0.6	
TF1709VU-101Y2R0-01	100	20	40	2	0.6	
TF1709VU-101Y3R0-01	100	20	30	3	0.65	

TF2326VU-H/TF3435VU-H(VERTICAL TYPE WITH TERMINAL BASE) TYPE

SHAPES AND DIMENSIONS/CIRCUIT DIAGRAM



TYPICAL ELECTRICAL CHARACTERISTICS IMPEDANCE vs. FREQUENCY CHARACTERISTICS



ELECTRICAL CHARACTERISTICS

Part No.	Inductance (μ H)min.	L1-L2 inductance difference (μ H)max.	DC resistance (m Ω)max.	Rated current Iac (A)max.	Dimensions(mm)							
					ϕd	D max.	W max.	H max.	(a)	(b)		
TF2326VU-H type												
TF2326VU-500Y4R0-1H	50	10	25	4	0.7	23	20	26	10	15		
TF2326VU-300Y5R0-1H	30	10	20	5	0.8	23	20	26	10	15		
TF3435VU-H type												
TF3435VU-600Y8R0-1H	60	10	16	8	1	32	22	34	18	16		
TF3435VU-500Y10R0-1H	50	10	11	10	1.2	33	22	34	18	16		
TF3435VU-300Y15R0-1H	30	10	8	15	1.4	33	22	34	18	16		

• All specifications are subject to change without notice.

EMC Components

TF Series

Common Mode Choke Coils (Line Filters) for AC Power Supply Toroidal Core Type for 3-Phase

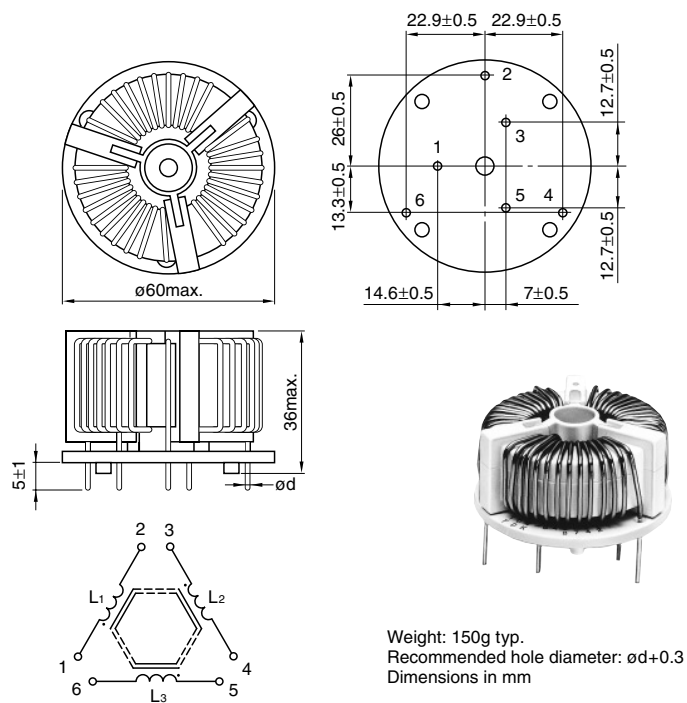
TOROIDAL CORE TYPE FOR THREE PHASE LINES

TF SERIES

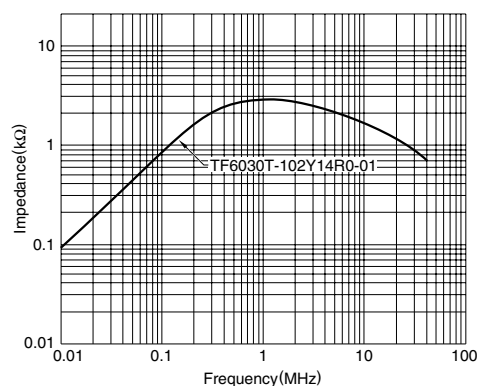
FEATURES

- This series uses a high permeability toroidal ferrite core and can handle heavy currents with fewer number of turns.

TF6030T (HORIZONTAL TYPE WITH TERMINAL BASE) TYPE SHAPES AND DIMENSIONS/CIRCUIT DIAGRAM



TYPICAL ELECTRICAL CHARACTERISTICS IMPEDANCE vs. FREQUENCY CHARACTERISTICS



ELECTRICAL CHARACTERISTICS

Part No.	Inductance (mH) min.	L1-L2, L2-L3, L3-L1 inductance difference (μH) max.	DC resistance (Ω) max.	Rated current I _{ac} (A) max.	Dimensions (mm)
					φd
TF6030T-752Y5R0-01	7.5	150	0.1	5	0.9
TF6030T-162Y10R0-01	1.6	100	0.02	10	1.3
TF6030T-102Y14R0-01	1	75	0.02	14	1.5

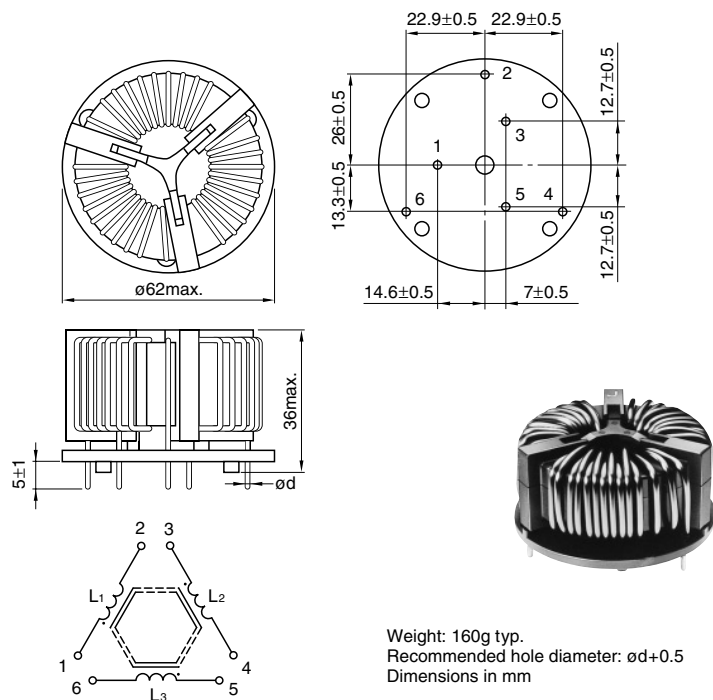
EMC Components

TF Series

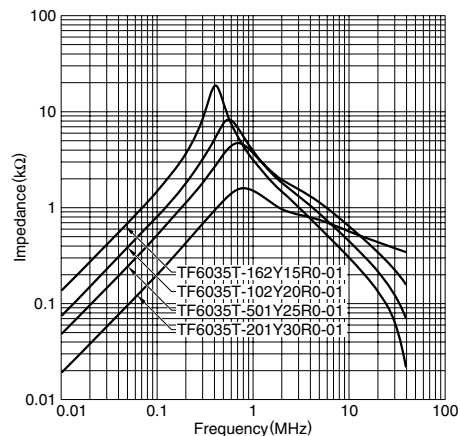
Common Mode Choke Coils (Line Filters) for AC Power Supply

Toroidal Core Type for 3-Phase

TF6035T (HORIZONTAL TYPE WITH TERMINAL BASE) TYPE SHAPES AND DIMENSIONS/CIRCUIT DIAGRAM



TYPICAL ELECTRICAL CHARACTERISTICS IMPEDANCE vs. FREQUENCY CHARACTERISTICS



ELECTRICAL CHARACTERISTICS

Part No.	Inductance (mH) min.	L1-L2, L2-L3, L3-L1 inductance difference (μ H) max.	DC resistance (Ω) max.	Rated current I _{ac} (A) max.	Dimensions (mm)
					ϕd
TF6035T-201Y30R0-01	0.2	10	3	30	2.6
TF6035T-501Y25R0-01	0.5	15	5	25	2.3
TF6035T-102Y20R0-01	1	20	8	20	2
TF6035T-162Y15R0-01	1.6	30	12	15	1.8

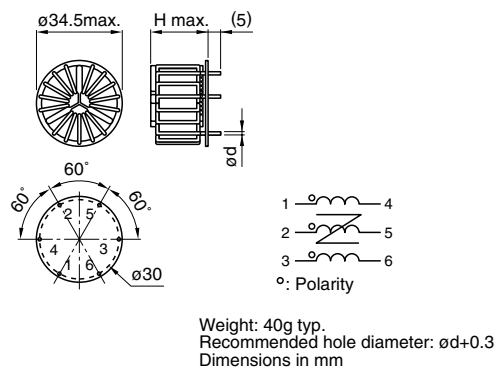
EMC Components

TF Series

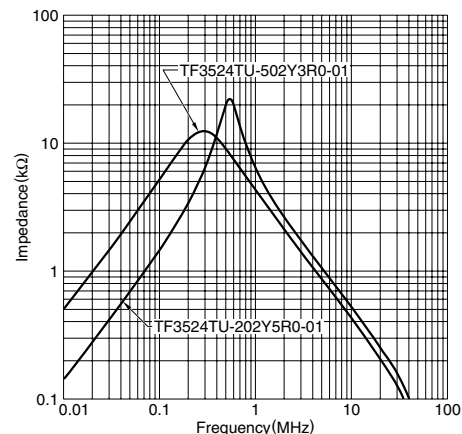
Common Mode Choke Coils(Line Filters) for AC Power Supply Toroidal Core Type for 3-Phase

TF3524TU(HORIZONTAL TYPE WITH TERMINAL BASE) TYPE

SHAPES AND DIMENSIONS/CIRCUIT DIAGRAM



TYPICAL ELECTRICAL CHARACTERISTICS IMPEDANCE vs. FREQUENCY CHARACTERISTICS

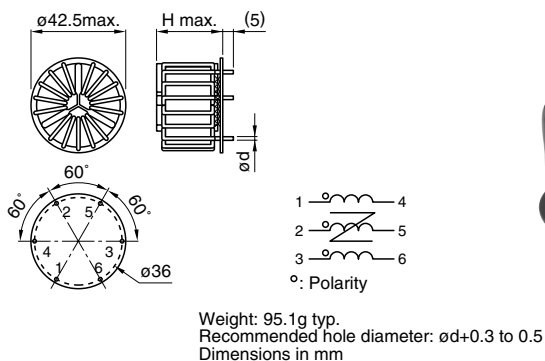


ELECTRICAL CHARACTERISTICS

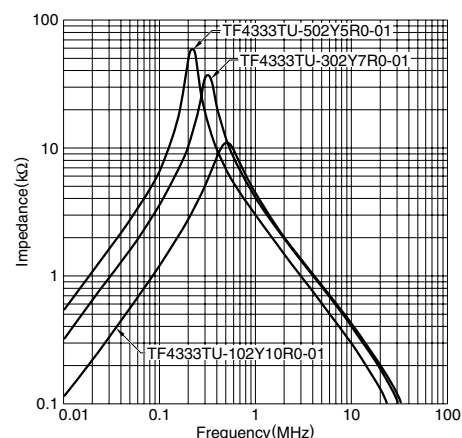
Part No.	Inductance (mH)min.	L1-L2, L2-L3, L3-L1 inductance difference (μH)max.	DC resistance (mΩ)max.	Rated current Iac (A)max.	Dimensions(mm)	
					ϕd	H max.
TF3524TU-302Y3R0-01	3	150	100	3	0.8	23
TF3524TU-502Y3R0-01	5	200	130	3	0.8	23
TF3524TU-102Y5R0-01	1	50	50	5	1	23
TF3524TU-202Y5R0-01	2	150	60	5	1	24

TF4333TU(HORIZONTAL TYPE WITH TERMINAL BASE) TYPE

SHAPES AND DIMENSIONS/CIRCUIT DIAGRAM



TYPICAL ELECTRICAL CHARACTERISTICS IMPEDANCE vs. FREQUENCY CHARACTERISTICS



ELECTRICAL CHARACTERISTICS

Part No.	Inductance (mH)min.	L1-L2, L2-L3, L3-L1 inductance difference (μH)max.	DC resistance (mΩ)max.	Rated current Iac (A)max.	Dimensions(mm)	
					ϕd	H max.
TF4333TU-502Y5R0-01	5	200	55	5	1.1	31
TF4333TU-302Y7R0-01	3	250	35	7	1.3	32
TF4333TU-102Y10R0-01	1	50	15	10	1.5	32
TF4333TU-501Y15R0-01	0.5	30	8	15	1.8	33

• All specifications are subject to change without notice.

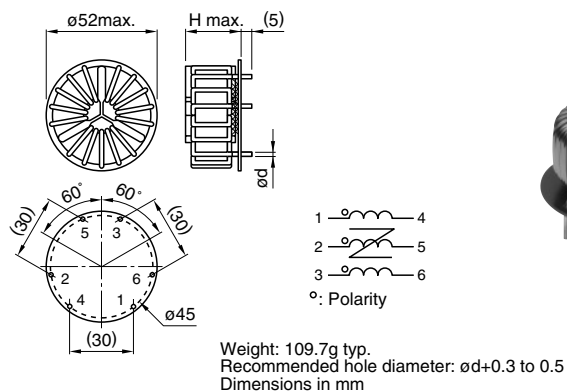
TDK

EMC Components

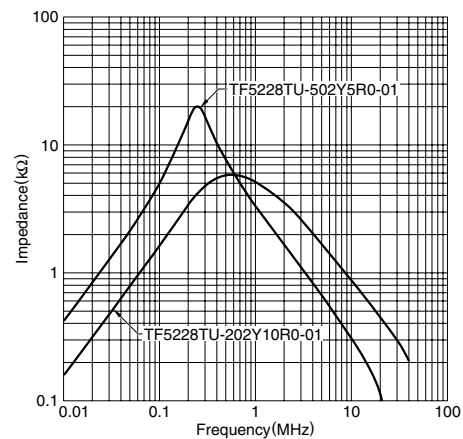
TF Series

Common Mode Choke Coils (Line Filters) for AC Power Supply
Toroidal Core Type for 3-Phase

TF5228TU (HORIZONTAL TYPE WITH TERMINAL BASE) TYPE SHAPES AND DIMENSIONS/CIRCUIT DIAGRAM



TYPICAL ELECTRICAL CHARACTERISTICS IMPEDANCE vs. FREQUENCY CHARACTERISTICS



ELECTRICAL CHARACTERISTICS

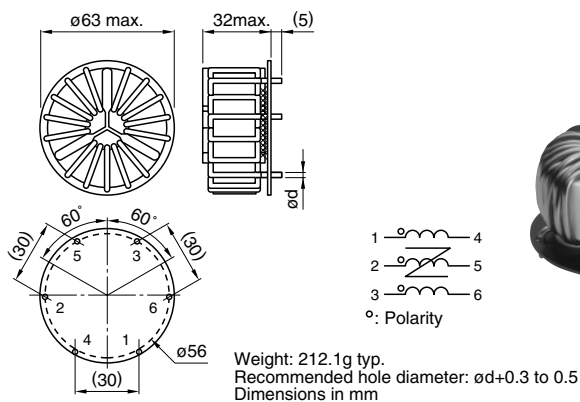
Part No.	Inductance (mH)min.	L1-L2, L2-L3, L3-L1 inductance difference (μ H)max.	DC resistance (m Ω)max.	Rated current Iac (A)max.	Dimensions(mm)	
					ϕd	H max.
TF5228TU-102Y5R0-01	1	50	45	5	1	26
TF5228TU-502Y5R0-01	5	200	95	5	1	26
TF5228TU-302Y8R0-01	3	150	40	8	1.2	26
TF5228TU-102Y10R0-01	1	50	20	10	1.3	26
TF5228TU-202Y10R0-01	2	80	25	10	1.5	28

EMC Components

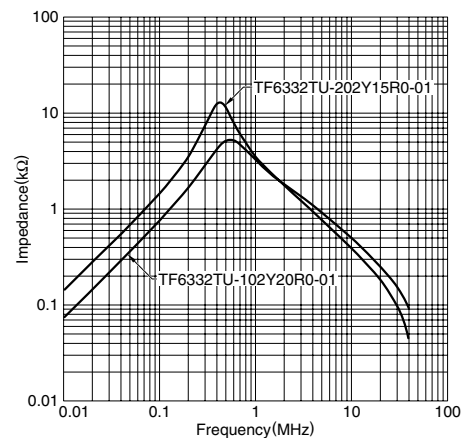
TF Series

Common Mode Choke Coils (Line Filters) for AC Power Supply
Toroidal Core Type for 3-Phase

TF6332TU (HORIZONTAL TYPE WITH TERMINAL BASE) TYPE SHAPES AND DIMENSIONS/CIRCUIT DIAGRAM



TYPICAL ELECTRICAL CHARACTERISTICS IMPEDANCE vs. FREQUENCY CHARACTERISTICS



ELECTRICAL CHARACTERISTICS

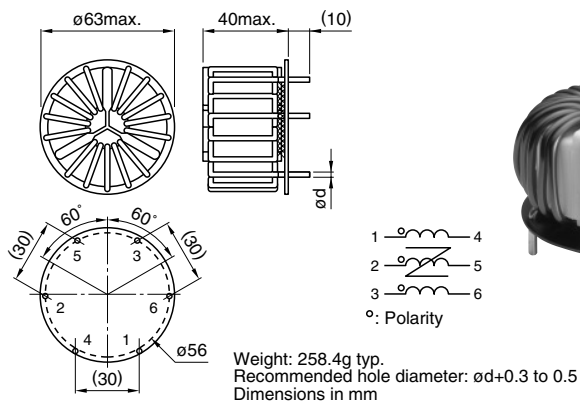
Part No.	Inductance (mH) min.	L1-L2, L2-L3, L3-L1 inductance difference (μH) max.	DC resistance (Ω) max.	Rated current I _{ac} (A) max.	Dimensions (mm) φd
TF6332TU-202Y15R0-01	2	80	20	15	2
TF6332TU-152Y18R0-01	1.5	50	15	18	2.1
TF6332TU-102Y20R0-01	1	50	8	20	2.3
TF6332TU-501Y25R0-01	0.5	30	6	25	2.5

EMC Components

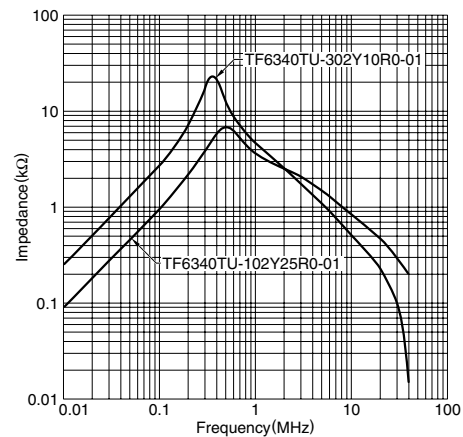
TF Series

Common Mode Choke Coils (Line Filters) for AC Power Supply
Toroidal Core Type for 3-Phase

TF6340TU (HORIZONTAL TYPE WITH TERMINAL BASE) TYPE SHAPES AND DIMENSIONS/CIRCUIT DIAGRAM



TYPICAL ELECTRICAL CHARACTERISTICS IMPEDANCE vs. FREQUENCY CHARACTERISTICS



ELECTRICAL CHARACTERISTICS

Part No.	Inductance (mH)min.	L1-L2, L2-L3, L3-L1 inductance difference (μ H)max.	DC resistance (Ω)max.	Rated current Iac (A)max.	Dimensions (mm) ϕd
TF6340TU-302Y10R0-01	3	150	35	10	1.5
TF6340TU-202Y15R0-01	2	120	25	15	1.8
TF6340TU-102Y20R0-01	1	50	10	20	2.3
TF6340TU-102Y25R0-01	1	50	8	25	2.4