

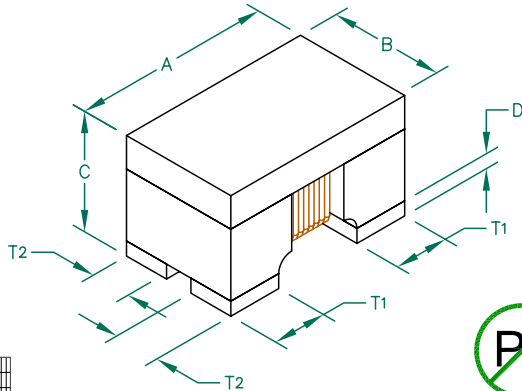
CM0805C221R-10

UNCONTROLLED DOCUMENT

PHYSICAL DIMENSIONS:

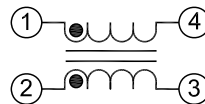
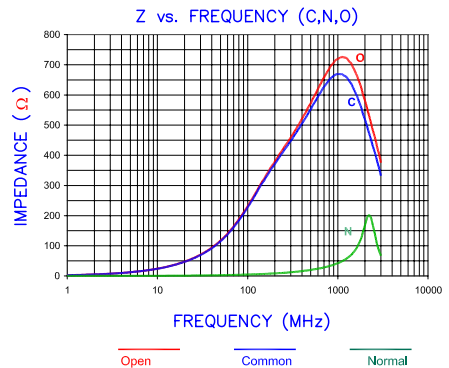
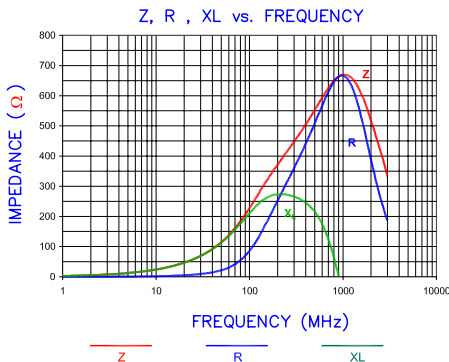
A	2.00 [.079]	+ 0.20 [.008]
B	1.20 [.047]	+ 0.20 [.008]
C	1.20 [.047]	+ 0.20 [.008]
D	0.15 [.006]	+ 0.10 [.004]

T1	0.55 [.022]	+ 0.10 [.004]
T2	0.46 [.018]	+ 0.10 [.004]

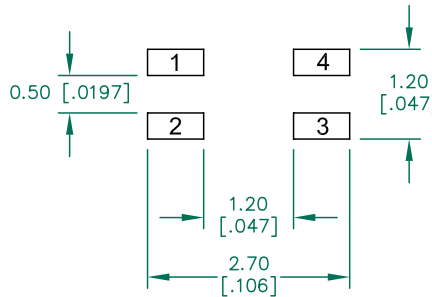


Electrical Characteristics		Nominal	Min	Max
Common Mode Impedance @ 100MHz	(Ω)	220	165	275
DCR	(Ω)	-	-	0.4
Rated Current	(mA)	-	-	300

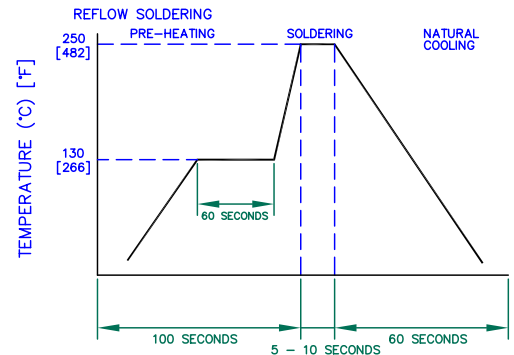
- NOTES: UNLESS OTHERWISE SPECIFIED
1. TAPED AND REELED per CURRENT EIA SPECIFICATIONS 7" REELS, EMBOSSED PLASTIC TAPE 2,000 PCS/REEL.
 2. TERMINATION FINISH 100% MATTE TIN.
 3. COMPONENTS SHOULD BE ADEQUATELY PREHEATED BEFORE SOLDERING.



LAND PATTERNS FOR REFLOW SOLDERING



RECOMMENDED SOLDERING CONDITIONS



DIMENSIONS ARE IN mm [INCHES].				This print is the property of Laird Tech. and is loaned in confidence subject to return upon request and with the understanding that no copies shall be made without the written consent of Laird Tech. All rights to design or invention are reserved.			
D	UPDATE T1 AND T2	01/15/10	JUN	PROJECT/PART NUMBER:		REV	D
C	UPDATE COMPANY LOGO	04/28/09	JRK	CM0805C221R-10		PART TYPE:	CM CHOKE
B	UPDATE COMPANY LOGO	05/10/07	JRK	DATE:	08/11/06	SCALE:	NTS
A	ORIGINAL DRAFT	08/11/06	JRK	CAD #	CM0805C221R-10-D	TOOL #	-
REV	DESCRIPTION	DATE	INT			SHEET: 2 of 2	



AGILENT E4991A RF Impedance/Material Analyzer
HP 16194A Test Fixture. TEST REF. 5804