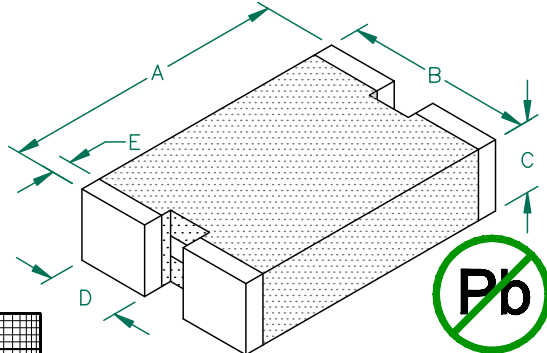


CM3322U610R-10

UNCONTROLLED DOCUMENT

PHYSICAL DIMENSIONS:

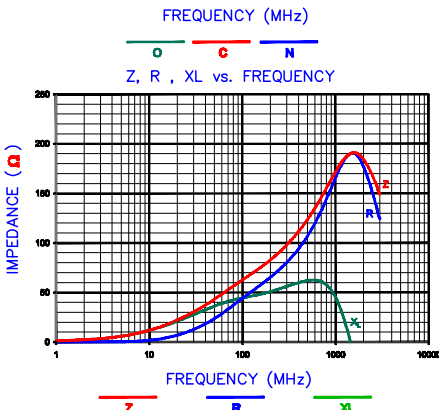
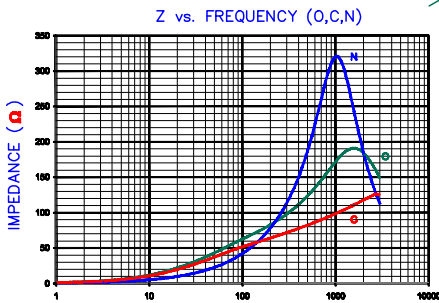
A	8.50 [.335]	± 0.25 [.010]
B	5.60 [.220]	± 0.25 [.010]
C	2.10 [.083]	± 0.25 [.010]
D	2.24 [.088]	± 0.23 [.009]
E	0.58 [.023]	± 0.18 [.007]



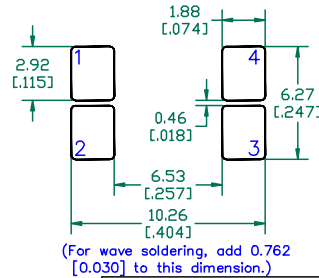
ELECTRICAL CHARACTERISTICS:			
Z @ 100MHz (Ω)	DCR (Ω)	Rated Current	
Nominal	61		
Minimum	45		
Maximum	75	.009	7,000 mA

NOTES: UNLESS OTHERWISE SPECIFIED

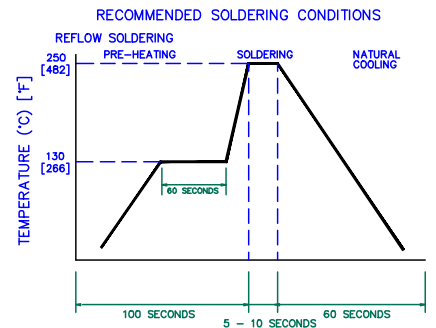
1. TERMINATION FINISH IS 100% TIN.
2. SPECIFICATIONS 13" REELS, 2,500 PCS/REEL.
3. U.S. PATENT 6,288,626 SHOULD APPEAR ON THE LABEL OF EACH REEL OF PACKAGED PARTS.
4. COMPONENTS SHOULD BE ADEQUATELY PREHEATED BEFORE SOLDERING.
5. THIS PART HAS NO PIN POLARITY.
6. 1000Vdc minimum Hi-Pot at 1mA, sampled per lot



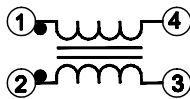
LAND PATTERNS FOR REFLOW SOLDERING



(For wave soldering, add 0.762 [0.030] to this dimension.)



EQUIVALENT CIRCUIT NO POLARITY



DIMENSIONS ARE IN mm [INCHES]			
H	ADD EQUIVALENT CIRCUIT	1/28/09	JRK
G	UPDATE COMPANY LOGO ADD NOTE #8	01/09/09	JRK
F	UPDATE COMPANY LOGO ADD ROHS	11/26/07	JRK
E	CHG DCR, IMPEDANCE MIN/MAX AND DCR ADD NOTE 5 AND NUMBERS TO LANDPATTERN	05/11/04	JRK
D	REVISE ZRX AND OCN CURVE	04/03/03	JRK
C	REVISE LANDPATTERN DIMS, ADD C.N CURVE	11/25/02	JRK
B	REVISE PATENT # TO 6,288,626	09/14/01	JRK
A	ORIGINAL DRAFT	01/12/01	BAC
REV	DESCRIPTION	DATE	INT

This print is the property of Laird Tech. and is loaned in confidence subject to return upon request and with the understanding that no copies shall be made without the written consent of Laird Tech. All rights to design or invention are reserved.

PROJECT/PART NUMBER: **CM3322U610R-10**



REV: H	PART TYPE: CO-FIRE	DRAWN BY: BAC
SCALE: NTS	SHEET: 2 of 2	
TOOL #: N/A		

AGILENT E4991A RF Impedance/Material Analyzer
HP 16194A Test Fixture. TEST REF. 3007