

### Common mode Noise Filters

Type: **EXC24CE**  
**EXC24CF**



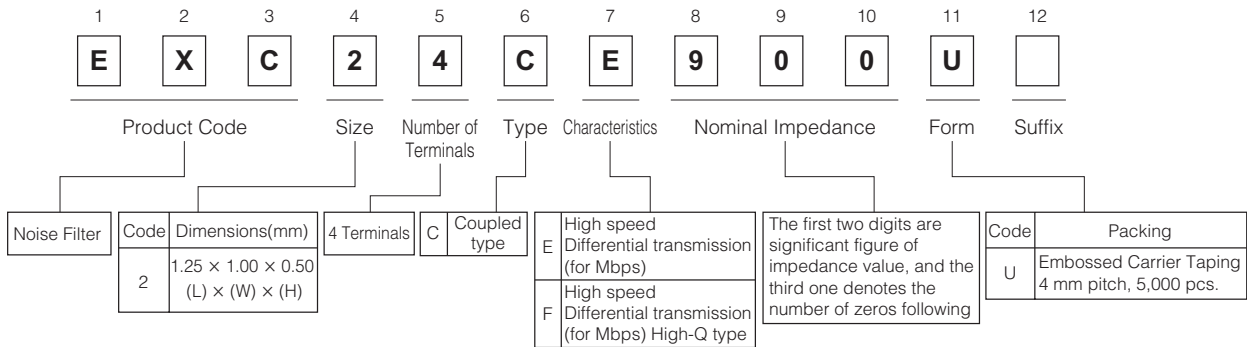
#### ■ Features

- Reduce the common mode noise and reform the signal wave by high-coupled inductors
- The strong multi-layer structure provides high resistance to reflow soldering heat and a high mounting reliability
- Magnetic shield type
- High-Q impedance : EXC24CF type is also available
- Small size and low-profile  
(L 1.25 mm×W 1.00 mm×H 0.50 mm)
- RoHS compliant

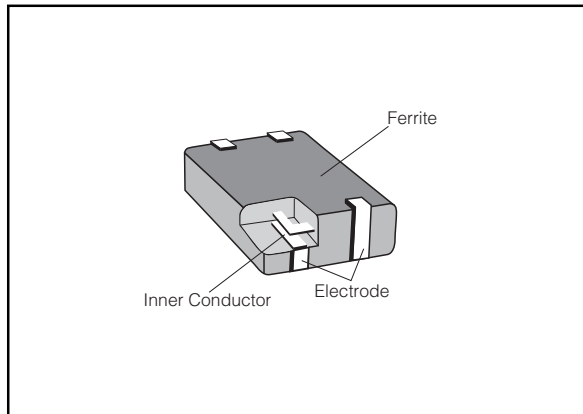
#### ■ Recommended Applications

- USB data lines such as PCs, DSC, Mobile phone.
- LVDS data lines such as PCs, TV.
- IEEE1394 data lines such as PCs, TV.

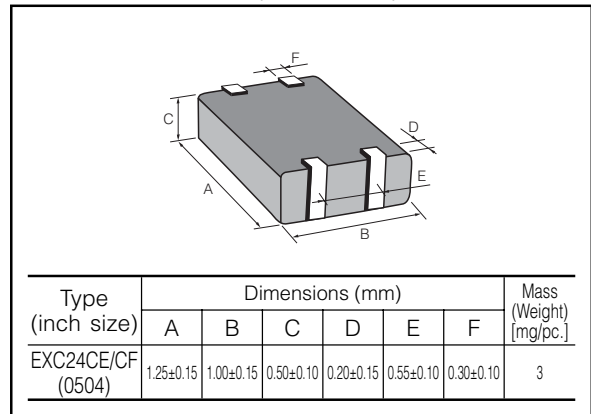
#### ■ Explanation of Part Numbers



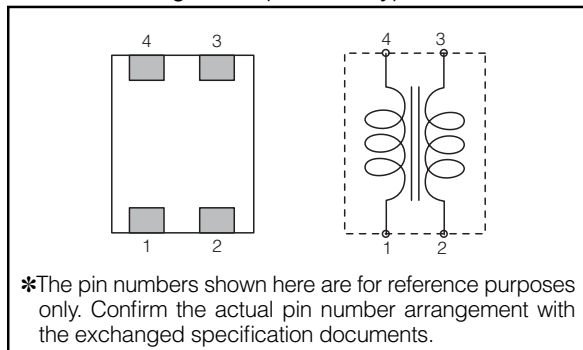
#### ■ Construction



#### ■ Dimensions in mm (not to scale)



#### ■ Circuit Configuration(No Polarity)



Design and specifications are each subject to change without notice. Ask factory for the current technical specifications before purchase and/or use. Should a safety concern arise regarding this product, please be sure to contact us immediately.

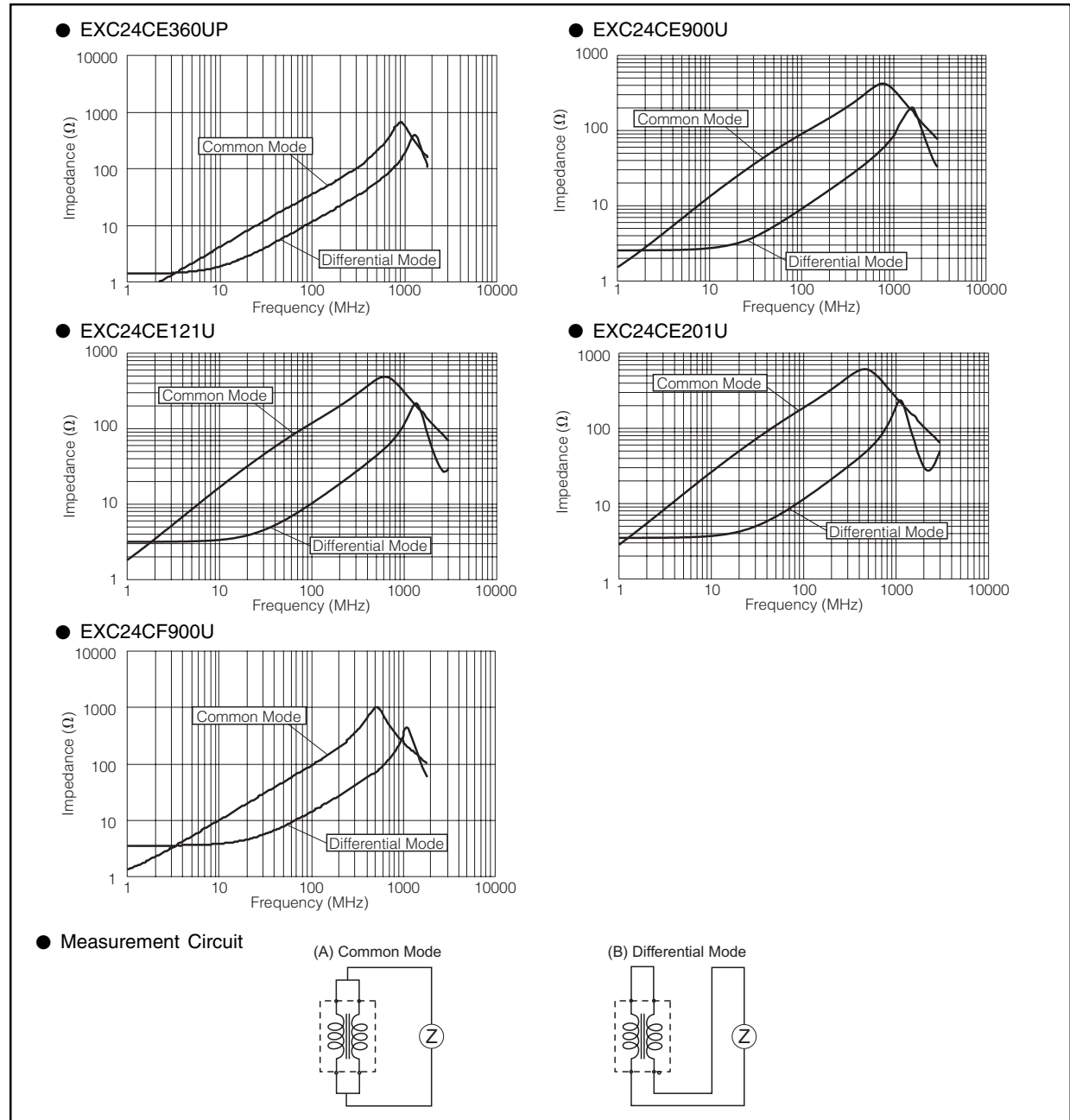
01 Feb. 2011

### ■ Ratings

Part Number	Impedance ( $\Omega$ ) at 100 MHz		Rated Voltage (V DC)	Rated Current (mA DC)	DC Resistance ( $\Omega$ )max.
	Common Mode	Differential Mode			
EXC24CE360UP	36 $\Omega \pm 25\%$	20 $\Omega$ max.	5	200	1.00
EXC24CE900U	90 $\Omega \pm 25\%$	15 $\Omega$ max.	5	160	1.75
EXC24CE121U	120 $\Omega \pm 25\%$	18 $\Omega$ max.	5	140	2.20
EXC24CE201U	200 $\Omega \pm 25\%$	20 $\Omega$ max.	5	130	2.70
EXC24CF900U	90 $\Omega \pm 25\%$	20 $\Omega$ max.	5	130	2.50

- Category Temperature Range  $-40\text{ }^{\circ}\text{C}$  to  $+85\text{ }^{\circ}\text{C}$

### ■ Impedance Characteristics (Typical)



### ■ Packaging Methods

Please see Page 235

### ■ Recommended Land Pattern Design, Recommended Soldering Conditions, $\Delta$ Safety Precautions

Please see Page 236

Design and specifications are each subject to change without notice. Ask factory for the current technical specifications before purchase and/or use. Should a safety concern arise regarding this product, please be sure to contact us immediately.

01 Feb. 2011