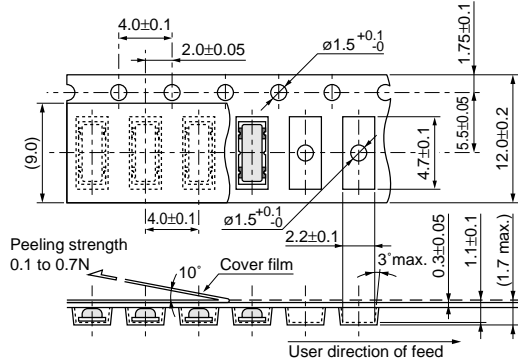
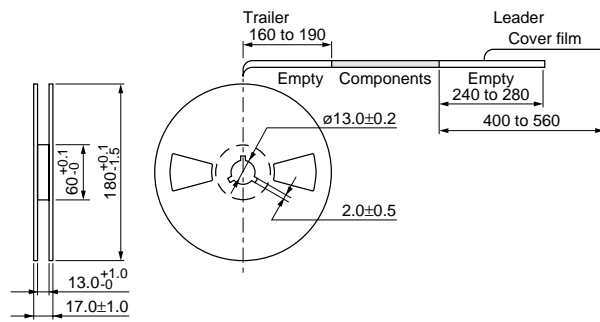


Dimensions of Carrier Tape



- Part number marked side is always facing upside.
- The feeding holes side of cavity tape is always input terminal.

Dimension of reel



() : Reference
(in mm)