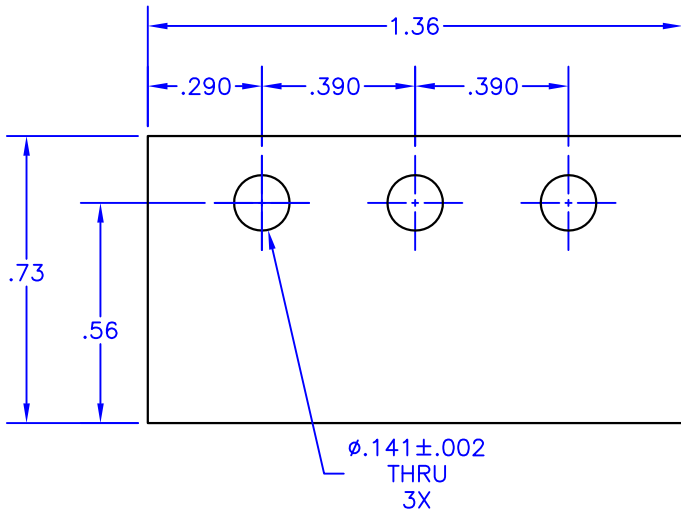


4

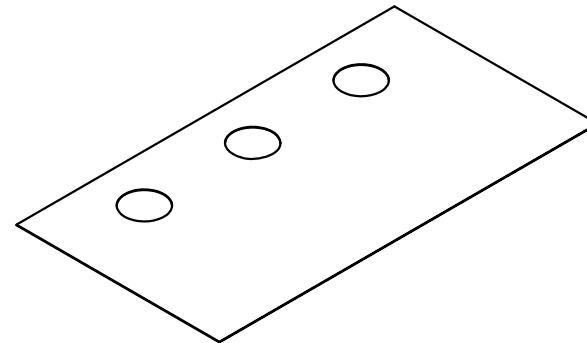
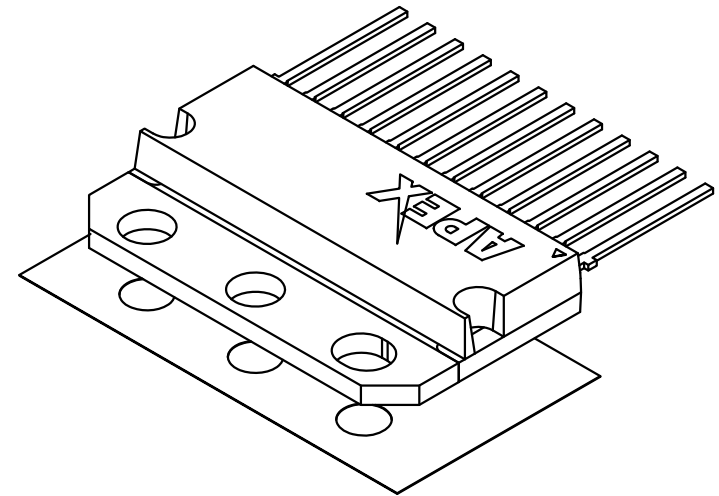
3

2

1



.003
See Notes 2 & 3.



NOTES:

1. Unless otherwise noted, all dimensions are in inches.
2. Film Material: .002 thick Kapton[®] MT
Dielectric strength - 5200 VAC/mil
3. Interface Material: .0005 thick phase-change thermal compound, both sides.
Maximum shipping & storage temperature - 40°C
Reflow temperature - 60°C
Maximum recommended service temperature - 200°C
4. Thermal impedance: .201 °C-in²/W (1.30 °C-cm²/W) @ 20psi
5. Thermal washers shall be packaged in quantities of 10 with oversize separators between them.
6. Used with SIP package (Apex designators: DX, EU, EW & EX).
7. Power Devices part no. KA-136-07B-APX

TOLERANCES - UNLESS OTHERWISE SPECIFIED	
.XX	= ±.01
.XXX	= ±.005
ANG.	= ±.5°



TITLE		THERMAL WASHER, SIP			PART NO.		TW12	
SUBJECT		MECHANICAL DRAWING						
ENG.	TECH/DRAW.	DCA	SH.	OF	FILENAME	REV	DATE	
D-M	P.ECK	80339	1	1	TW12	D	03NOV08	

4

3

2

1