

4

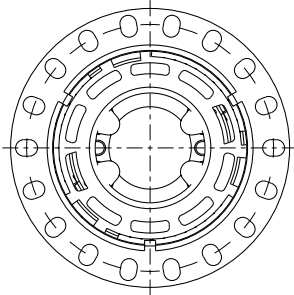
3

2

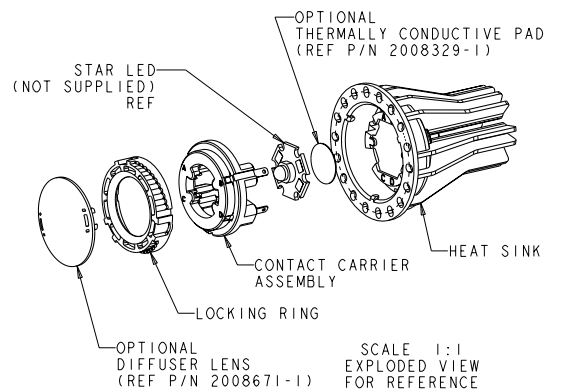
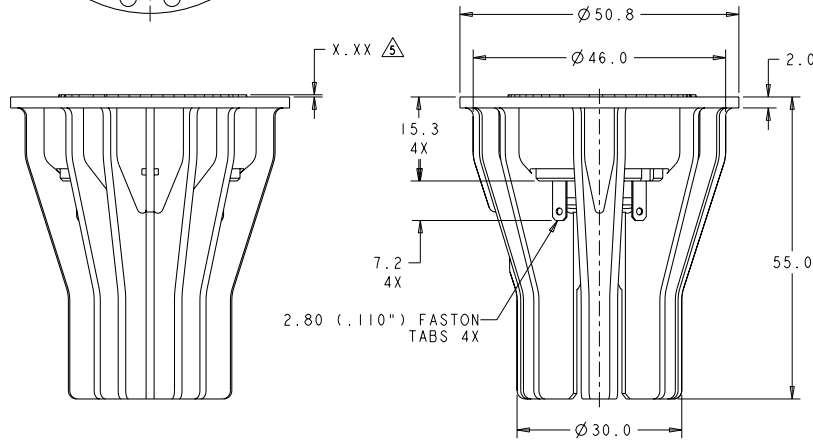
1

THIS DRAWING IS UNPUBLISHED. RELEASED FOR PUBLICATION
 BY TYCO ELECTRONICS CORPORATION. ALL RIGHTS RESERVED.

REV	DATE	BY	CHKD	APPROV
1	19NOV2007	CD	CG	
2	18DEC2007	CD	CG	
3	12MAY2008	RB	CG	
4	27JUN2008	RB	CG	



- △ CONTACT CARRIER AND LOCKING RING COMES UNASSEMBLED
- △ MATERIALS AND FINISH:
 - CONTACT CARRIER: PBT
 - LOCKING RING: PBT
 - CONTACTS: COPPER ALLOY, FINISH: TIN
 - HEAT SINK: CAST ALUMINUM
- 3. MUST COMPLY WITH DIRECTIVE 2002/95/EC (ROHS)
- 4. THIS PRODUCT HAS NOT COMPLETED VALIDATION TESTING
- △ THIS DIMENSION IS DEPENDANT ON STAR BOARD/THERMAL PAD THICKNESS RANGE



TYCO ELECTRONICS
 CONFIDENTIAL
 AND PROPRIETARY
 PROPOSED DESIGN
 NOT PRODUCTION TOOLED
 DESIGN IS SUBJECT TO
 CHANGE WITHOUT NOTICE

AS SHOWN	2008675-1
DESCRIPTION	PART NO.

DIMENSIONS: mm 0 PLC ±0.2 1 PLC ±0.15 2 PLC ±0.15 3 PLC ±0.15 4 PLC ±0.15 ANGLES ±1°		DATE: 02APR2007 BY: C. DAILY CHK: C. GLINGRICH APPROV:		Tyco Electronics Harrisburg, PA 17105-3608	
MATERIAL: - FINISH: -		PRODUCT SPEC: - APPLICATION SPEC: - WEIGHT: - CUSTOMER DRAWING		NAME: ASSEMBLY, LED STAR-BOARD HOLDER WITH HEAT SINK LOCKING RING CASE CODE: A200779 DRAWING NO: ©=2008675 RESTRICTED TO: -	
		SCALE: 2:1		SHEET 1 OF 4 REV 4	