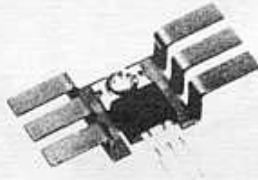
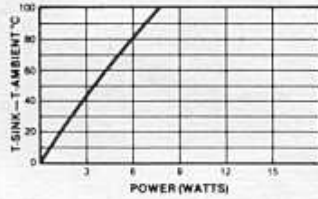


Standard Heat Sinks

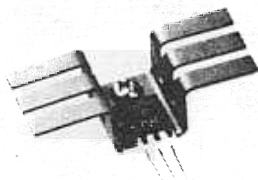
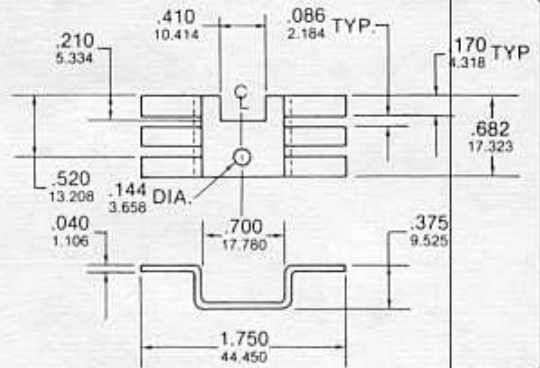


Low Profile

Material... 1100-H14 Aluminum
Finish..... Black Anodize

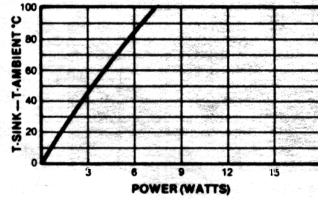


7-322

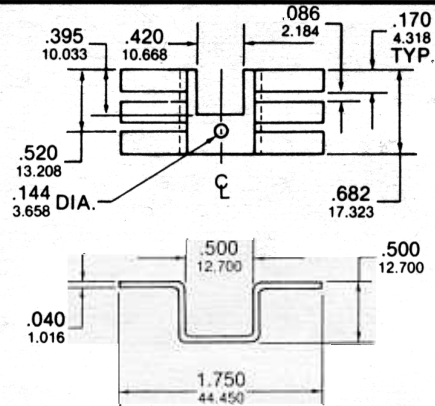


Can be mounted inside models 320, 321 or 322.

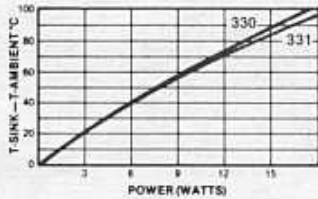
Material... 1100-H14 Aluminum
Finish..... Black Anodize



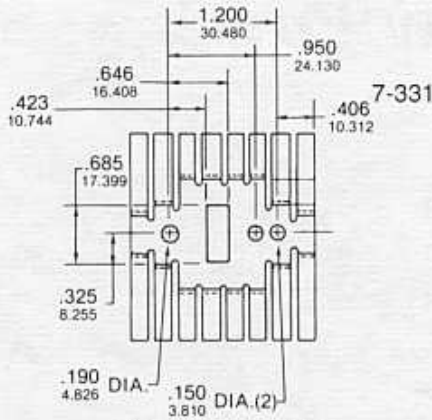
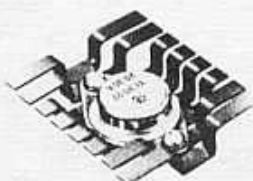
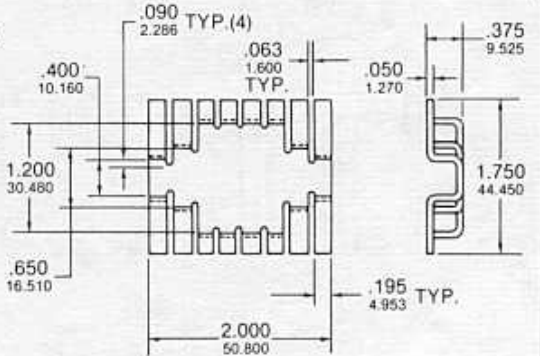
7-323



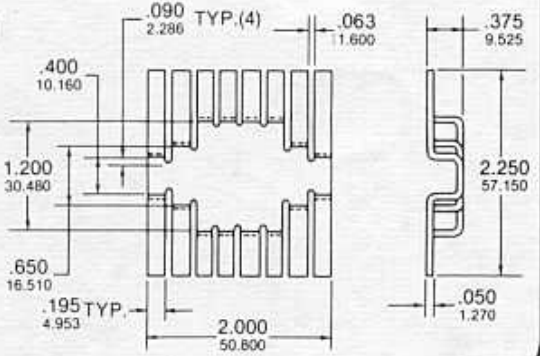
Material... 1100-H14 Aluminum
Finish..... Black Anodize



7-330



7-331



7-330 & 7-331

Low Power