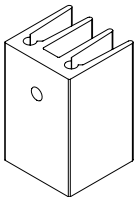
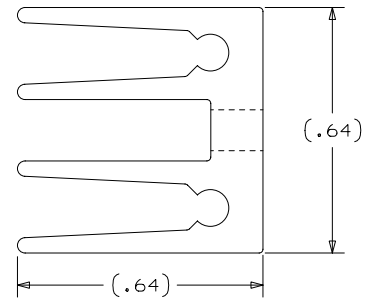
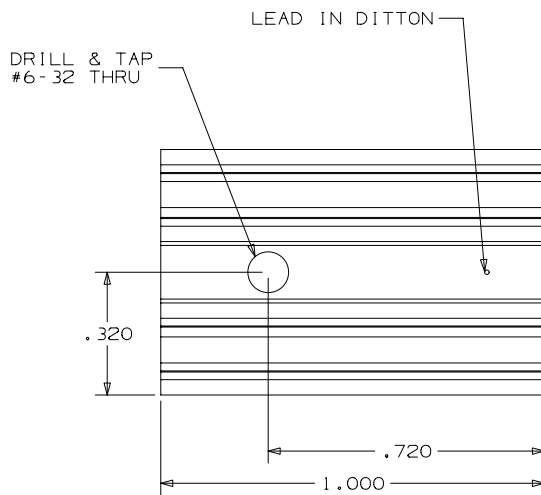



THIS DRAWING AND THE SPECIFICATIONS CONTAINED HEREIN ARE CONFIDENTIAL AND PROPRIETARY. THEY ARE THE PROPERTY OF AAVID THERMAL TECHNOLOGIES, INC. AND SHALL NOT BE REPRODUCED OR COPIED OR USED IN WHOLE OR IN PART AS THE BASIS FOR THE MANUFACTURE OR SALE OF ITEMS WITHOUT WRITTEN PERMISSION. THIS IS AN UNPUBLISHED WORK PROTECTED UNDER THE FEDERAL COPYRIGHT LAWS, 1995



D	12/13/99	GENERAL UPDATE PER ECN #009177	
C	12/10/96	RELEASED PER ECN #003444	ML
REV.	DATE	DESCRIPTION	CHK'D
		 AAVID™ THERMAL TECHNOLOGIES, INC.	
		ONE KOOL PATH P.O. BOX 400 LACONIA, N.H. 03247-0400	
DRAWING NO.		002701	
STANDARD DESCRIPTION			
STD,581002B00000			
DATE	DRAWN	CHK'D	APP'D
08/28/96	JWD	.	.
			SCALE
			4 TO 1
			SHEET

FINISH	BLACK ANODIZE
U/D	
MAT'L	62470 (004236)
TOLERANCE	
UNLESS NOTED	
.XX±	.015
.XXX±	.010
ANGULAR±	3°

User: brown Node: brown Part: 002701
 Drawing: SH1 Date: 13-Dec-99 Time: 13:20
 Message: