



**AAVID
THERMALLOY**

ONE COOL IDEA AFTER ANOTHER

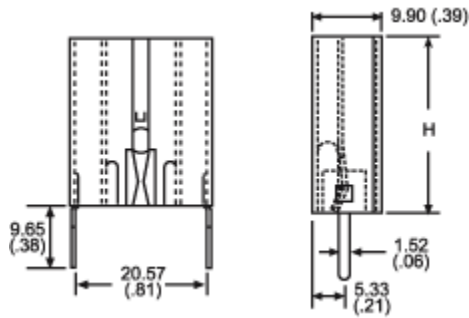
For use with TO-220 packages

574902b03300

VIS#002280



Mechanical Outline Drawing

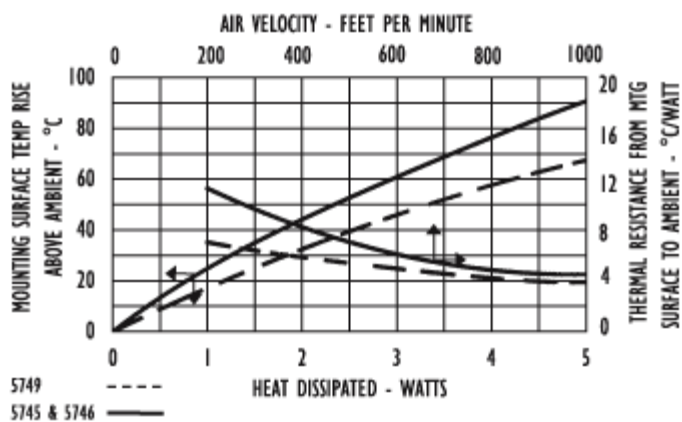


H Dim 34.93 (1.375)

| | |
|---------------------------|------|
| Thermal Resistance | 16.0 |
|---------------------------|------|

Thermal resistance value is based on a 75°C rise in natural convection

Thermal Curves



Product Information

| 12 Digit Part # | Description | Finish | Board Mounting |
|-----------------|--------------------------------|---------------|--------------------------------------|
| 574902b03300 | For Vertical mounting (Tab 33) | Black Anodize | View Hole Dimensions |

Not Exactly what you need?

We offer several options for those applications which require a more unique solution. For slight modifications of this part or other attachment options, finishes, and interface materials, contact your [local representative](#). Challenge us with your thermal requirements - we can design custom solutions.

For technical help with our Standard Products,
please call (603) 223-1921, or contact your local Manufacturer's Rep
Email: info@aavid.com

Visit us at www.aavidthermalloy.com • ©2002 Aavid Thermalloy, LLC