

4

3

2

1

D

D

C

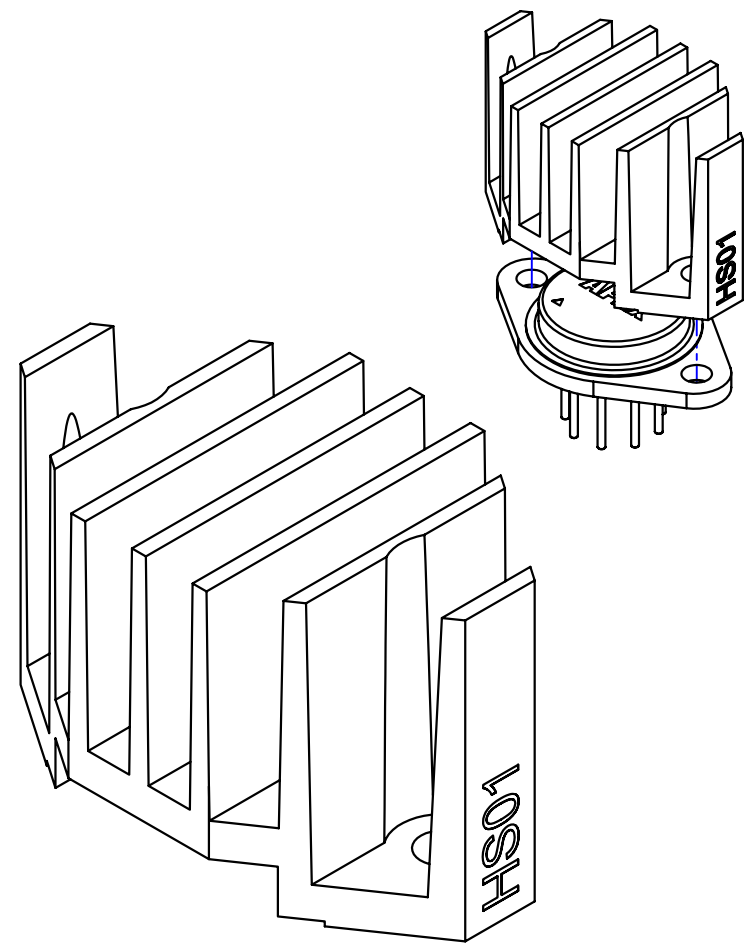
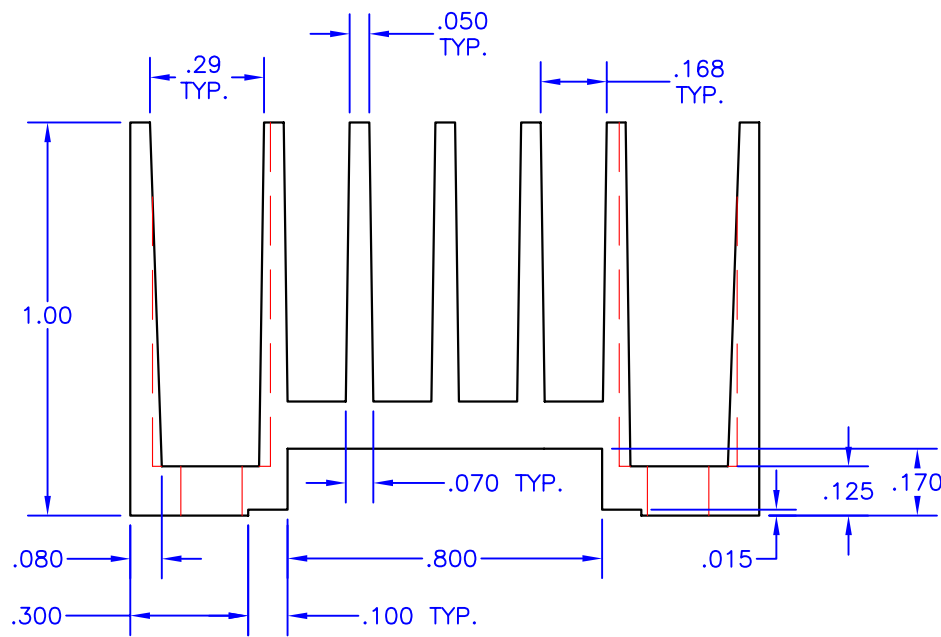
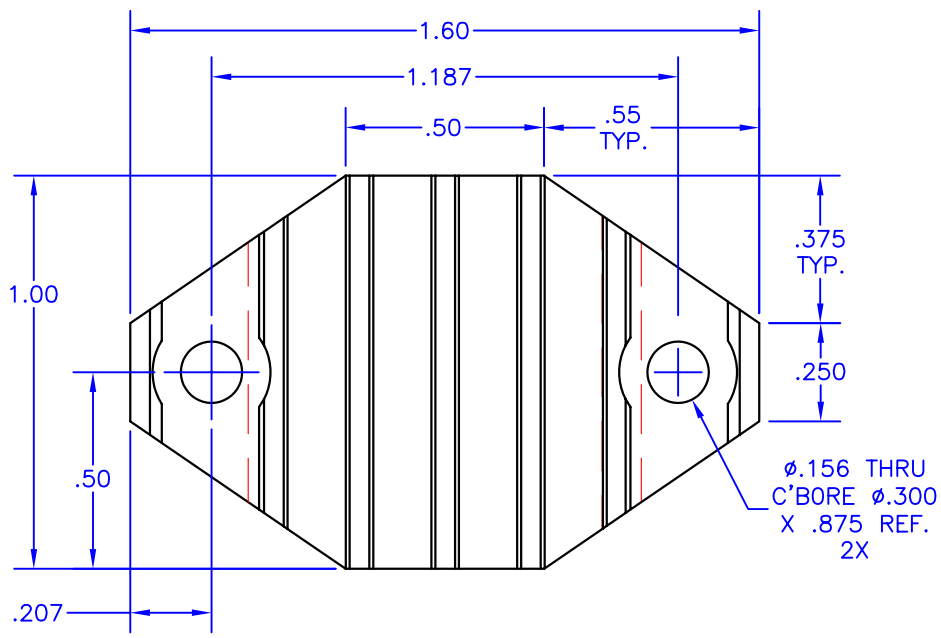
C

B

B

A

A



NOTES:

1. Unless otherwise noted, all dimensions are in inches.
2. Break all sharp edges, de-burr & remove loose chips.
3. Material: Aluminum (M/F Aavid Thermalloy NP971944)
4. Finish: Anodize per MIL-A-8625, Type II, Class 2, Black
Typical breakdown voltage > 300V
5. Mark with contrasting ink as shown, if specified by P.O.
6. Approximate Weight: 0.6 oz [17g]

TOLERANCES - UNLESS OTHERWISE SPECIFIED						TITLE HEATSINK, TO3		PART NO. HS01	
.XX = ±.01	.XXX = ±.005					SUBJECT MECHANICAL DRAWING		ENG. D-M	
ANG. = ±.5°				SH. OF 1 1		FILENAME: HS01-G		REV G	
						DATE 10/13/04			

4

3

2

1