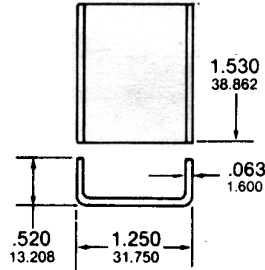


# Standard Heat Sinks

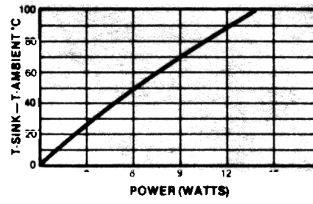
Suggested hole patterns:

| DEVICE   | HOLE PATTERN |
|----------|--------------|
| TO-3     | 01E          |
| TO-220   | 14X          |
| TO-220-2 | 14A          |
| TO-66    | 03B          |

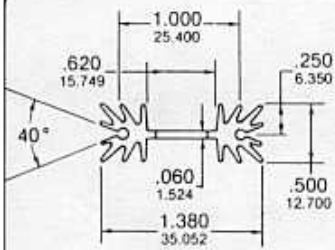
Other hole patterns available.  
See pages 27-32.



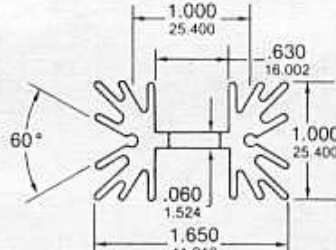
Material... 1100-H14 Aluminum  
Finish..... Black Anodize



7-335



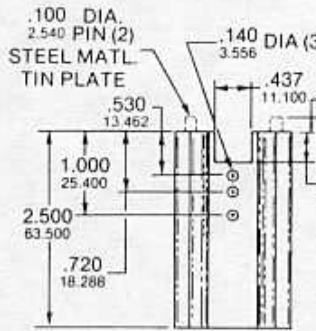
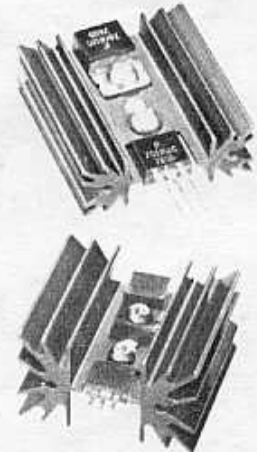
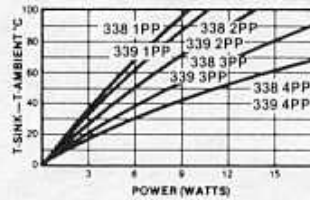
7-338



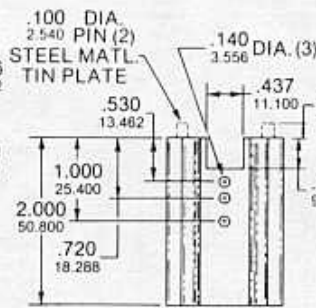
7-339

Tin-plated steel roll pins for solder mount.

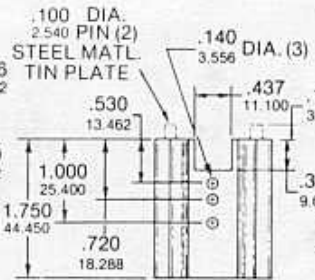
Material... 6063-T5 aluminum  
Finish..... Black Anodize



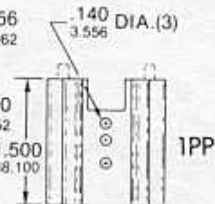
4PP



3PP



2PP



1PP

7-338 & 7-339  
-1,-2,-3,-4

## Low Power