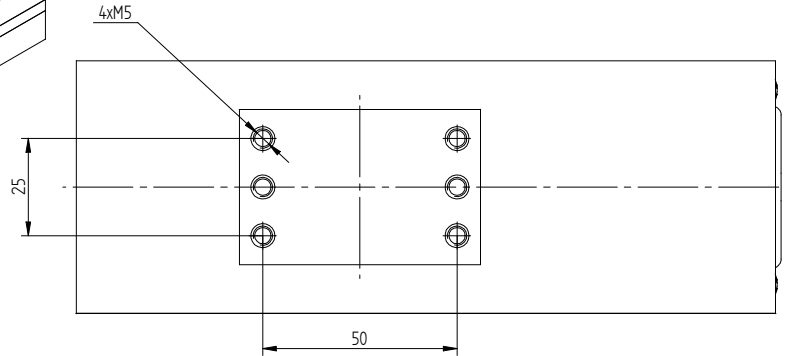

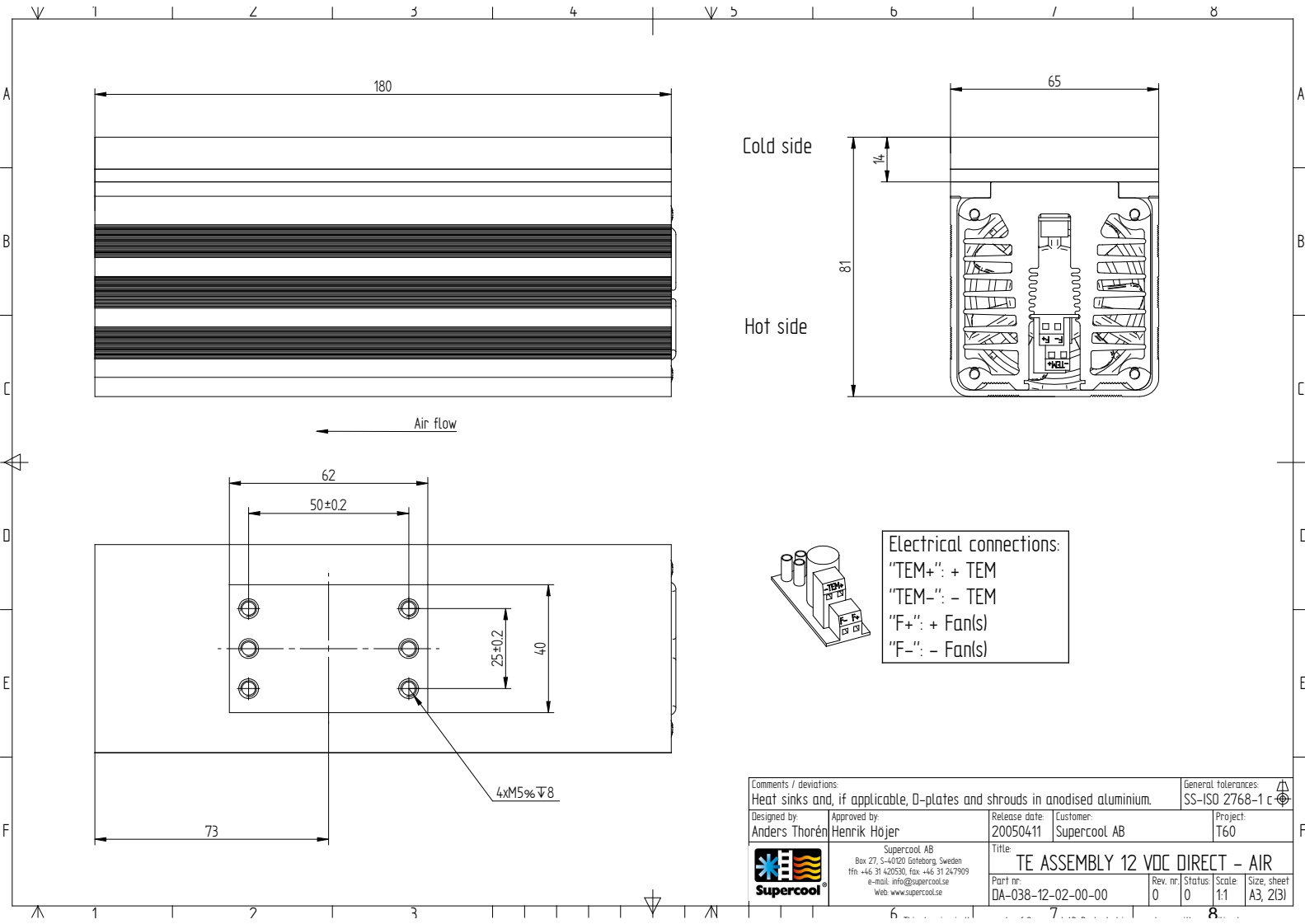


Specification (Ta=32°C)	Code	Description
Heat transfer, cold side	D	Direct
Heat transfer, warm side	A	Air
Cascade	-	
Cooling power: (W)	038	36 W at $\Delta T=0^\circ\text{C}$. Tolerance: +10%.
Voltage, nominal: (VDC)	12	12 VDC.
TEM Voltage: (VDC)		Nominal: 12 VDC, Max: 15 VDC
TEM Current: (A)		Nominal: 3.6 A, Initial: 4.7 A. All at $\Delta T=0^\circ\text{C}$. Tolerance: +10%.
Fan(s), cold side	0	None.
Fan(s), warm side	2	MTBF: 50,000 hrs. L10 at 25°C. Nominal current: 0.27 A. Voltage: 12 VDC +10%.
Temperature controller, sensor	0	None.
Temperature control settings, trim options	0	-
Additional controller information		
Temperature control position	0	-
Options	0	-
Weight:		12 kg
Overheating thermostat:		None.
Operating temperature:		-10°C to +43°C at nominal voltage.
TE-Module(s) temperature specification:		Max surface temperature: 80°C.
Enclosed:		-
Packing:		Individual, cardboard box.


Mounting hole print.



Comments / deviations		General tolerances	
Heat sinks and, if applicable, D-plates and shrouds in anodised aluminium.		SS-ISO 2768-1 c	
Designed by Anders Thorén	Approved by Henrik Höjer	Release date 20050411	Customer Supercool AB
 Supercool AB Box 27, S-40120 Göteborg, Sweden tfn: +46 31 420530, fax: +46 31 247909 e-mail: info@supercool.se Web: www.supercool.se		Title: TE ASSEMBLY 12 VDC DIRECT - AIR	
Part nr: DA-038-12-02-00-00	Rev. nr: 0	Status: 0	Scale: -
			Size, sheet A3, 1/31



Electrical connections:
 "TEM+": + TEM
 "TEM-": - TEM
 "F+": + Fan(s)
 "F-": - Fan(s)

Comments / deviations: Heat sinks and, if applicable, D-plates and shrouds in anodised aluminium.		General tolerances: SS-ISO 2768-1 c	
Designed by: Anders Thorén	Approved by: Henrik Höjer	Release date: 20050411	Customer: Supercool AB
 Supercool AB Box 27, S-40120 Göteborg, Sweden tfn: +46 31 420530, fax: +46 31 267909 e-mail: info@supercool.se Web: www.supercool.se		Title: TE ASSEMBLY 12 VOC DIRECT - AIR	
Part nr: DA-038-12-02-00-00	Rev. nr: 0	Status: 0	Scale: 1:1
		Size sheet: A3, 2131	