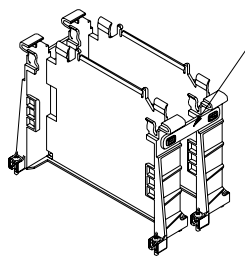
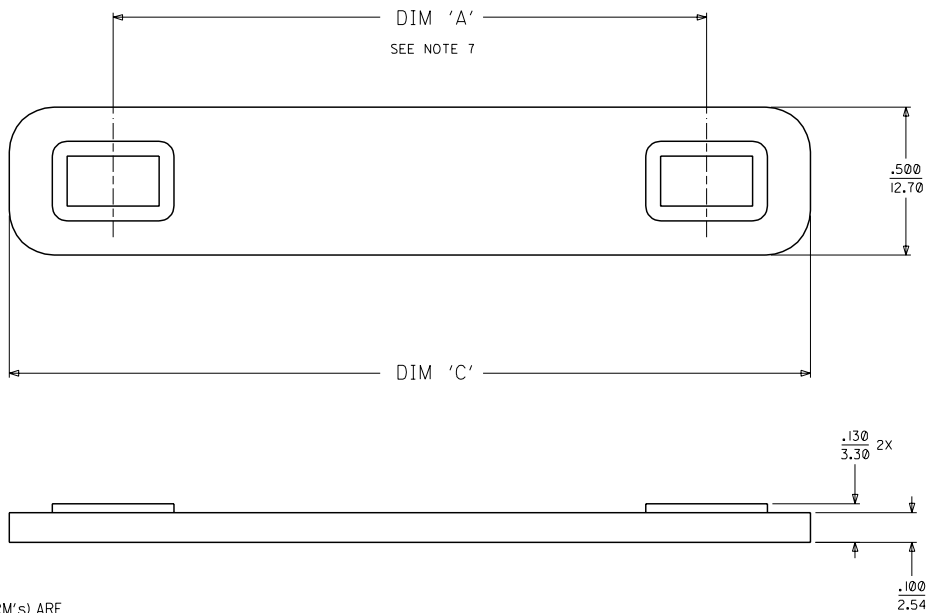
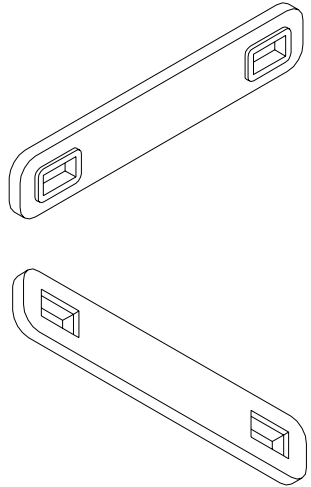


NOTES:

1. MATERIAL: THERMOPLASTIC
COLOR: BLACK
2. FINISH: NONE
3. PRODUCT SPECIFICATION: PS-73940-999
4. APPLICATION SPECIFICATION: AS-73940-997
5. THIS LINK IS FOR USE WITH MOLEX SRM BASE AND MOLEX SLOT 2 CONNECTOR.
6. LATCHES ARE BULK PACKED.
7. DIM 'A' IS EQUIVALENT TO THE CENTERLINE SPACING OF THE SLOT 2 CONNECTORS.

MATERIAL NUMBER	DIM 'A'	DIM 'C'
73974-0001	2.000	2.700
73974-0002	2.500	3.200
73974-0003	3.000	3.700
73974-0004	3.200	3.900



SINGLE RETENTION MECHANISMS (SRM's) ARE LINKED TOGETHER FOR ADDED STABILITY. LINKS ARE AVAILABLE FOR SEVERAL CENTERLINE SPACINGS. TWO LINKS ARE REQUIRED FOR EACH PAIR OF RETENTION MECHANISMS.

INITIAL RELEASE EC NO. UDT 1998-0325 DRWN: LAURX 98/06/02 CHK: LAURX 98/06/02 APPR: NELSON 98/06/05	QUALITY SYMBOLS MAJOR CRITICAL	GENERAL TOLERANCES: (UNLESS SPECIFIED) mm INCH .4 PLACES ±0. -- ±. -- 3 PLACES ±0. -- ±.01 2 PLACES ±0.25 ±. -- 1 PLACE ±0. -- ±. -- ANGULAR: ± 1 °	SCALE 4 : 1 DESIGN UNITS <input type="checkbox"/> mm <input checked="" type="checkbox"/> INCH	DRAWN BY & DATE LAURX 98/06/02 CHECKED BY & DATE LAURX 98/06/02 APPROVED BY & DATE NELSON 98/06/05	THIRD ANGLE PROJECTION <input type="checkbox"/> THIRD ANGLE <input checked="" type="checkbox"/> FIRST ANGLE DIMENSIONS: <input type="checkbox"/> mm <input checked="" type="checkbox"/> INCH <input type="checkbox"/> mm ONLY SHT REV REVISE ON CAD ONLY	TITLE: SLOT 2 SRM SUPPORT LINK SALES DRAWING
	CAD FILENAME S7397402.DGN	MATERIAL NO. SEE CHART	DRAWING NO. SD-73974-002	SHEET NO. 1 OF 1 SIZE C		
	DRAFT WHERE APPLICABLE MUST REMAIN WITHIN DIMENSIONS				THIS DRAWING CONTAINS INFORMATION THAT IS PROPRIETARY TO MOLEX INCORPORATED AND SHOULD NOT BE USED WITHOUT WRITTEN PERMISSION.	
	MOLEX INCORPORATED					