


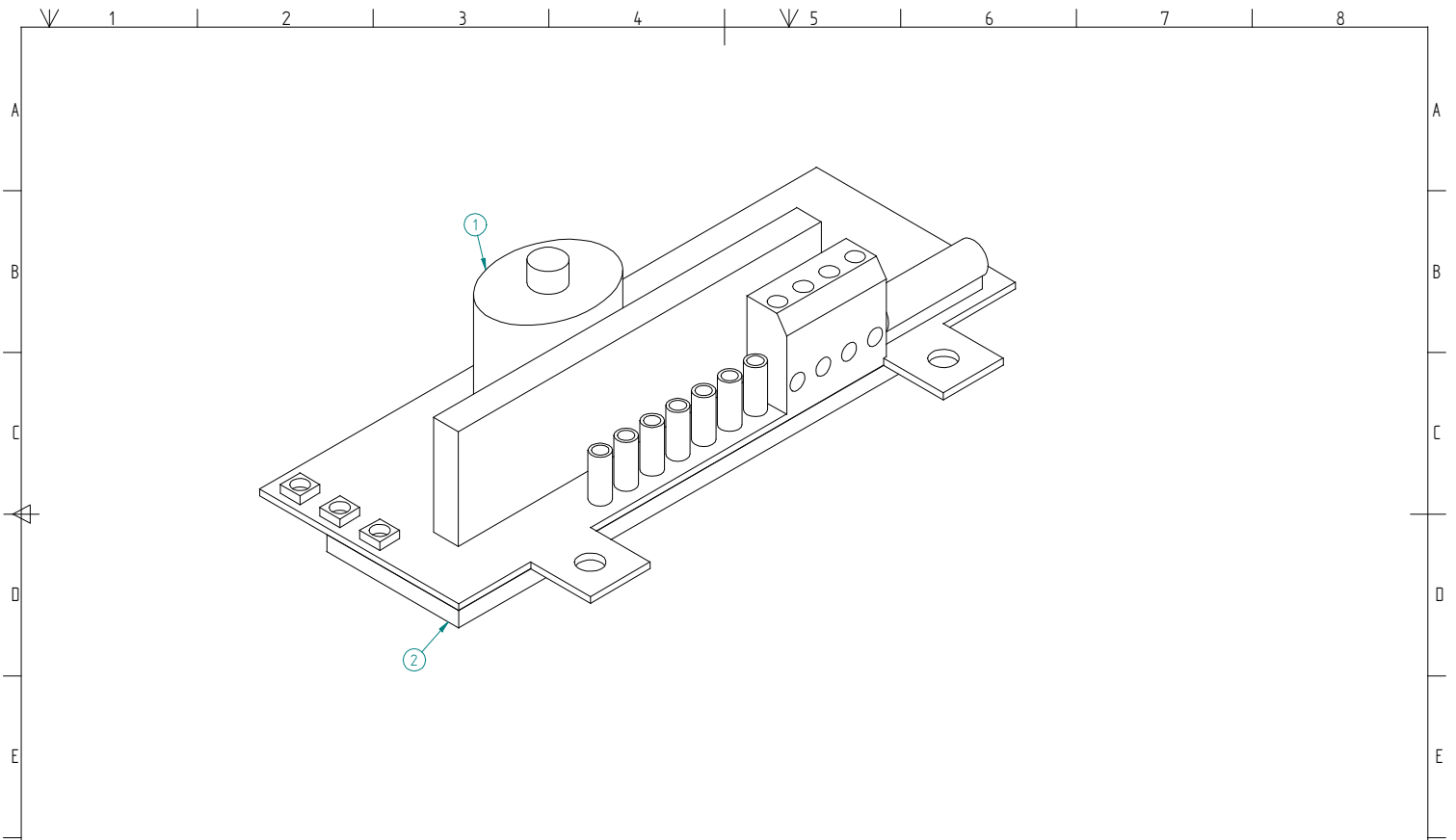
Specification (Ta=32°C)	Code	Description
Heat transfer, cold side	XX	
Heat transfer, warm side	XXX	
Cascade	-	
Cooling power (W)		
Voltage, nominal (VDC)	24	24 VDC (28.5 VDC Max.)
Current, nominal	-	
TE-Modules connections	-	
Fan(s), cold side	X	
Fan(s), warm side	X	
Temperature controller, sensor	E	Pulse Width Modulation (PWM), NTC
Temperature control settings	C	5°C
Trimtable		-2 to 17°C
Accuracy & Hysteresis		+15°C, 0.5°C
Temperature control position	2	Hot side
Options	6	Low voltage: 21.9V-Off/24.2V+On High voltage: 30.3V-Off/30.0V+On Automatic cool down at -26.5V/Economy at -25.3V
Weight		0.05 kg
Overheating thermostat		-
Max. operating temperature		70°C, PC board environment
Enclosed		-
Packing		Plastic bag

Revision notes and dates (yyymmdd):


Rev. 0: YYMMDD, First issue.

Weight: 0.047 kg

Comments / deviations: Pulse Width Modulation, Battery guard, High V, Compact			General Tolerances: SS-ISO 2768-1 m	
Designed by: A.Thorén	Approved by: H. Lindberg	Date: yy/mm/yy 05/06/07	Customer: Supercool AB	Project: Standard
 Supercool AB Box 27, S-40120 Göteborg, Sweden 11h +46 31 425530, fax +46 31 247909 e-mail: info@supercool.se Web: www.supercool.se		Title: CONTROL PWM 5°C 24V LOW/HIGH V ACD Part nr: TC-24-EC-26		
Rev. nr:	Status:	Scale:	Size, sheet	
0	0	1:1	A3, 11/21	



1	1	R2E-YACD-24-BANTAT	CONTROL PWM 24V	TYPE E		Pulse Width Modulation	Avai labl e	
2	1	RPL-01615	INSULATION YACD		RG30, Tape D241, PP Foil 0.5, Black	Electrical insulation	Avai labl e	0
Nr.	Qty.	Part nr.	Title	Subject	Material	Comment	Sts.	Rev.
		1						

Material:		Comment/Treating Pulse Width Modulation, Battery gu...		General tolerances AS1:10/2:16/3:20/4:25/5:30/6:40/7:50/8:60/9:70/10:80/11:90/12:100/13:110/14:125/15:140/16:160/17:180/18:200/19:225/20:250/21:280/22:315/23:355/24:400/25:450/26:500/27:560/28:630/29:710/30:800/31:900/32:1000/33:1120/34:1250/35:1400/36:1600/37:1800/38:2000/39:2250/40:2500/41:2800/42:3150/43:3550/44:4000/45:4500/46:5000/47:5600/48:6300/49:7100/50:8000/51:9000/52:10000/53:11200/54:12500/55:14000/56:16000/57:18000/58:20000/59:22500/60:25000/61:28000/62:31500/63:35500/64:40000/65:45000/66:50000/67:56000/68:63000/69:71000/70:80000/71:90000/72:100000	
Designed by: A.Thorén	Approved by: H. Lindberg	Date: 05/06/07	Customer: Supercool AB	Project: Standard	
 Supercool AB Box 27, S-40120 Göteborg, Sweden 11n +46 31 425530, fax +46 31 247909 e-mail: info@supercool.se Web: www.supercool.se		Title: CONTROL PWM 5°C 24V LOW/HIGH V AC Part nr: TC-24-EC-26		Rev. nr: 0 Status: 0 Scale: 1:1 Size, sheet: A3, 2/2	

6 This drawing is the property of Supercool AB. Protected in accordance with prevailing law.