

PLASTIC FAN FILTER ASSEMBLY

MEETS UL .250 (6.4) PLUG GAUGE TEST

A unique package consisting of guard, filter media and retainer. The guard and retainer are manufactured with UL Rated 94V-0 material. The filter media is made of polyurethane foam (30PPI) and allows free passage of air with minimum air resistance and pressure drop. A major feature of this assembly is that when the filter media requires maintenance you simply remove the snap-fit retainer to clean or replace the filter, leaving the guard attached to the fan. This assures protection to the fan blade and eliminates damage to the fan during cleaning.

RETAINER

MATERIAL: ABS, UL Rated 94V-0

- Snap-fit construction
- Designed for minimum air restriction

MEDIA

MATERIAL: Polyurethane foam

- Constructed to allow free passage of air with minimum resistance and pressure drop
- Has a high surface-area contact for impingement of dust particles
- 30PPI material gives a wide range of particle filtration (PPI denotes pores per inch)
- Helps reduce external fan noise
- Easily cleaned by vacuuming or washing with mild soap, detergent or cleaning solvent

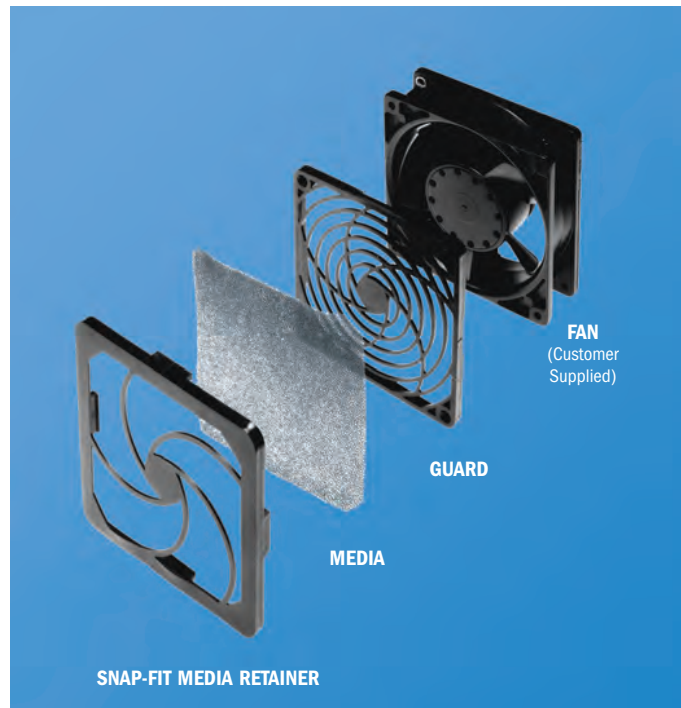
GUARD

MATERIAL: ABS, UL Rated 94V-0

- .250 (6.4) maximum ring spacing
- Decreased noise level due to design
- Countersunk mounting holes (4)
- Withstands high impact

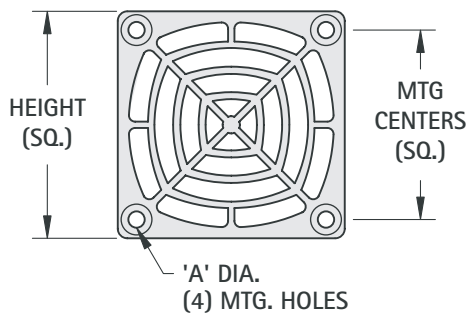
FAN

- Customer supplied



FAN GUARD ASSEMBLIES

MINI-FAN GUARD ASSEMBLIES



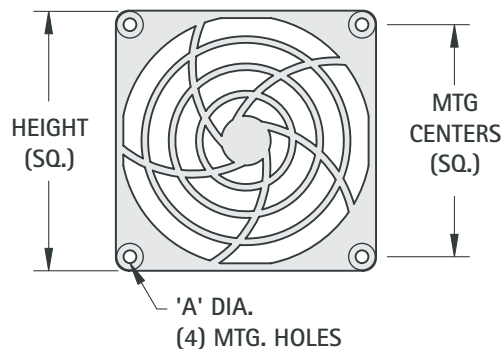
FILTER ASSEMBLIES INCLUDE GUARD, MEDIA and RETAINER

CAT. NO.	FOR FAN SIZE	HEIGHT	THICKNESS	MTG. CENTERS	A	MTG. HOLES
8464	1.50" (40mm)	1.570 (39.9)	.240 (6.1)	1.260 (32.0)	.144 (3.7)	
8465	2.50" (60mm)	2.360 (59.9)	.260 (6.6)	1.970 (50.0)	.170 (4.3)	

FAN GUARDS

CAT. NO.	FOR FAN SIZE	HEIGHT	THICKNESS	MTG. CENTERS	A	MTG. HOLES
8466	1.50" (40mm)	1.570 (39.9)	.240 (6.1)	1.260 (32.0)	.144 (3.7)	
8467	2.50" (60mm)	2.360 (59.9)	.260 (6.6)	1.970 (50.0)	.170 (4.3)	

STANDARD GUARD ASSEMBLIES



FILTER ASSEMBLIES INCLUDE GUARD, MEDIA and RETAINER

CAT. NO.	FOR FAN SIZE	HEIGHT	THICKNESS	MTG. CENTERS	A	MTG. HOLES
8458	3.125" (80mm)	3.290 (83.6)	.393 (10.0)	2.810 (71.4)	.155 (3.9)	
8459	3.625" (92mm)	3.800 (96.5)	.393 (10.0)	3.245 (82.4)	.175 (4.4)	
8460	4.500" (120mm)	4.870 (123.7)	.420 (10.7)	4.125 (104.8)	.180 (4.6)	

FAN GUARDS

CAT. NO.	FOR FAN SIZE	HEIGHT	THICKNESS	MTG. CENTERS	A	MTG. HOLES
8461	3.125" (80mm)	3.150 (80.0)	.257 (6.5)	2.810 (71.4)	.155 (3.9)	
8462	3.625" (92mm)	3.620 (91.9)	.250 (6.4)	3.245 (82.4)	.175 (4.4)	
8463	4.500" (120mm)	4.650 (118.1)	.279 (7.1)	4.125 (104.8)	.180 (4.6)	