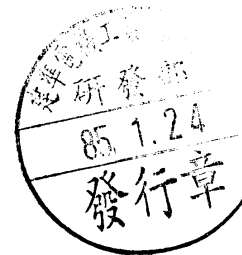


SPECIFICATION FOR APPROVAL

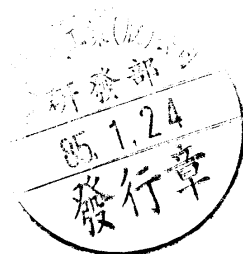
CUSTOMER :
DESCRIPTION : DC BRUSHLESS FAN
DIMENSIONS : 50X50X10 mm
M O D E L : KDE0505PFB1-8
APPROVED NO :
APPROVED BY :
 (AUTHORZIED)



DAWN.	張育真 2/17	CHKD.		APPD.		SPEC. NO.	052454300
						ISSUE DATE	01.17.1996
						EDITION	0
						REVISE DATE	
建準電機工業股份有限公司 SUNONWEALTH ELECTRIC MACHINE INDUSTRY CO., LTD. 12FL., 120 CHUNG CHENG 1ST RD., TEL:886-7-7163069(41 LINES) KAOHSIUNG, TAIWAN, R. O. C. FAX:886-7-7163086~89							

DC BRUSHLESS FAN**MODEL: KDE0505PFB1-8****CHARACTERISTICS**

- 1. Motor Design** : **Patented single-coil DC brushless 8 poles motor design.**
- 2. Insulation Resistance** : **More than 500M ohm between internal stator and lead wire(+) measured by DC 500V.**
- 3. Dielectric Strength** : **Applied AC 500V for one minute or AC 600V for 2 seconds between housing and lead wire(+)**
- 4. Noise Level** : **Measured in an semi-anechoic chamber with background noise level below 15 dBA. The fan is running in free air with microphone at a distance of one meter from the fan intake.**
- 5. Input power , Current & Speed** : **Measured after continuous 30 minutes operation at rated voltage in clean air at ambient temperature of 25 degrees C.**
- 6. Tolerances** : **+/-15% on rated power and current**
- 7. Motor Protection** : **Polarity protected & Locked rotor protected.**
- 8. Air Performance** : **Measured by a double chamber. The value are recorded when the fan speed is stabilized at rated voltage.**



建準電機工業股份有限公司 SUNONWEALTH ELECTRIC MACHINE INDUSTRY CO., LTD.	SPEC. NO.	052454300	REVISE DATE	
	ISSUE DATE	01. 17. 1996	EDITION	0
	PAGE	2 OF 5		

SPECIFICATIONS

MODEL: KDE0505PFB1-8

1-1. Rated Voltage	:	5 VDC
1-2. Operating Voltage Range	:	4-6 VDC
1-3. Starting Voltage	:	4 VDC
1-4. Rated Speed	:	5400 RPM±700 RPM
1-5. Air Delivery	:	10.2 CFM
1-6. Static Pressure	:	0.11 Inch-H ₂ O
1-7. Rated Current	:	0.17 AMP
1-8. Rated Power	:	0.9 WATTS
1-9. Noise Level	:	31.5 dB(A)
1-10. Direction of Rotation	:	Clockwies viewed from front face
1-11. Operating Temperature	:	-10 to + 70 Deg. C
1-12. Storage Temperature	:	-40 to + 70 Deg. C
1-13. Bearing System	:	Precise ball bearing system
1-14. Weight	:	24g
1-15. Safety	:	UL/CUR Approvals

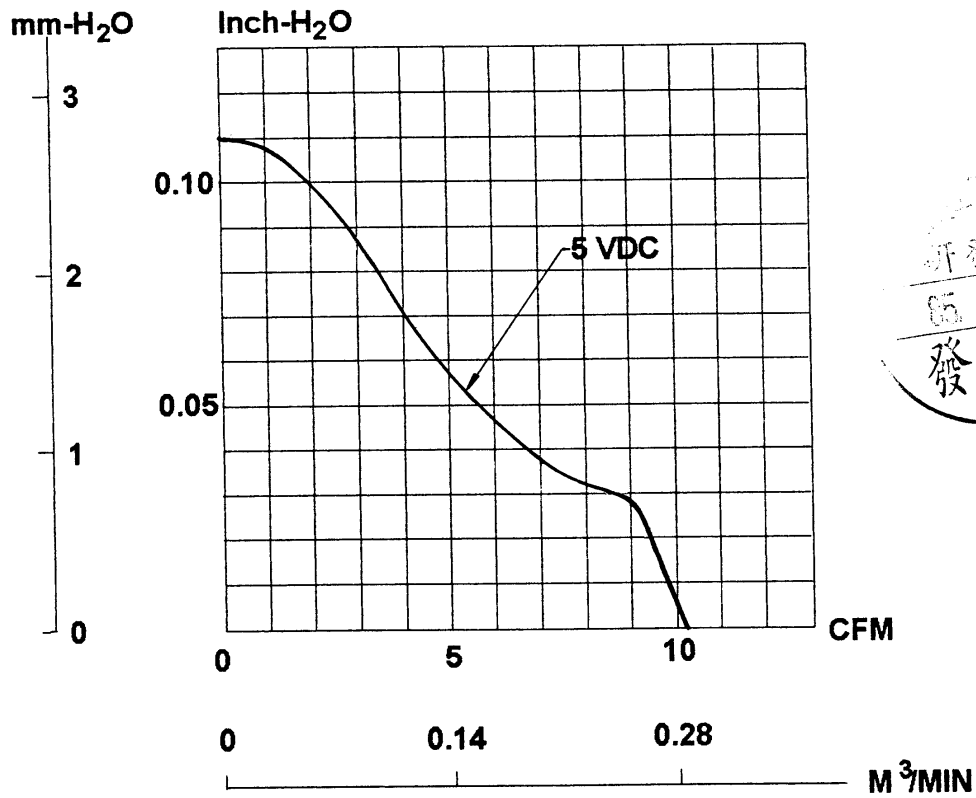


建準電機工業股份有限公司 SUNONWEALTH ELECTRIC MACHINE INDUSTRY CO., LTD.	SPEC. NO.	052454300	REVISE DATE	
	ISSUE DATE	01. 17. 1996	EDITION	0
	PAGE	3 OF 5		

MODEL: KDE0505PFB1-8

PERFORMANCE CURVES

STATIC PRESSURE



建準電機工業股份有限公司 SUNONWEALTH ELECTRIC MACHINE INDUSTRY CO., LTD.	SPEC. NO.	052454300	REVISE DATE	
	ISSUE DATE	01. 17. 1996	EDITION	0
	PAGE	4 OF 5		

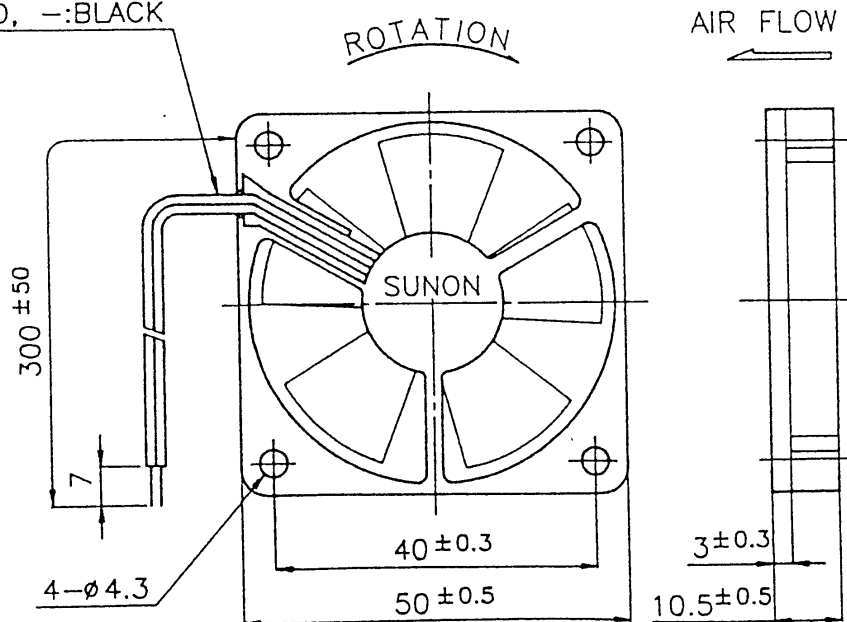
MATERIAL

- 2-1. Frame : Thermoplastic PBT of UL 94V-0
- 2-2. Impeller : Thermoplastic PBT of UL 94V-0
- 2-3. Bobbin : Thermoplastic PBT of UL 94V-0
- 2-4. Lead Wire : UL2468, 26AWG, +:RED ; -:BLACK

DIMENSIONS



UL2468 #26AWG
+:RED, -:BLACK



UNIT : mm

建準電機工業股份有限公司 SUNONWEALTH ELECTRIC MACHINE INDUSTRY CO., LTD.	SPEC. NO.	052454300	REVISE DATE	
	ISSUE DATE	01. 17. 1996	EDITION	0
	PAGE	5 OF 5		