

**SPECIFICATION FOR APPROVAL**



**CUSTOMER** :  
**DESCRIPTION** : DC BRUSHLESS FAN  
**DIMENSIONS** : 40X40X10 mm  
**MODEL** : KDE0504PFS3-8  
**APPROVED NO** :  
**APPROVED BY** :  
 (AUTHORIZED)

|       |       |       |  |       |  |             |             |
|-------|-------|-------|--|-------|--|-------------|-------------|
| DAWN. | 12/19 | CHKD. |  | APPD. |  | SPEC. NO.   | 042358300   |
|       |       |       |  |       |  | ISSUE DATE  | 12. 16.1995 |
|       |       |       |  |       |  | EDITION     | 0           |
|       |       |       |  |       |  | REVISE DATE |             |

**EME Fan & Motor**  
 13805 Alton Parkway, Suite B  
 Irvine, CA 92718  
 Telephone: (714) 583-9802 • Fax: (714) 583-9785

**DC BRUSHLESS FAN**

**MODEL: KDE0504PFS3-8**

**CHARACTERISTICS**

- 1. **Input power , Current & Speed** : Measured after continuous 30 minutes operation at rated voltage in clean air at ambient temperature of 25 degrees C.
- 2. **Noise Level** : Measured in an semi-anechoic chamber with background noise level below 15 dBA. The fan is running in free air with microphone at a distance of one meter from the fan intake.
- 3. **Dielectric Strength** : Applied AC 500V for one minute or AC 600V for 2 seconds between housing and lead wire(+)
- 4. **Motor Design** : Patented single-coil DC brushless 8 poles motor design.
- 5. **Insulation Resistance** : More than 500M ohm between internal stator and lead wire(+) measured by DC 500V.
- 6. **Tolerances** : +-15% on rated power and current
- 7. **Motor Protection** : Polarity protected & Locked rotor protected.
- 8. **Air Performance** : Measured by a double chamber. The value are recorded when the fan speed is stabilized at rated voltage.



|  |            |              |             |   |
|--|------------|--------------|-------------|---|
| 建準電機工業股份有限公司<br>SUNONWEALTH ELECTRIC<br>MACHINE INDUSTRY CO., LTD. | SPEC. NO.  | 042358300    | REVISE DATE |   |
|  | ISSUE DATE | 12. 16. 1995 | EDITION     | 0 |
|  | PAGE       | 2 OF 5       |             |   |

|                |
|----------------|
| SPECIFICATIONS |
|----------------|

**MODEL: KDE0504PFS3-8**

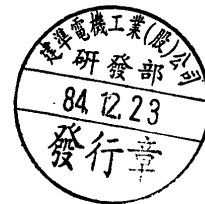
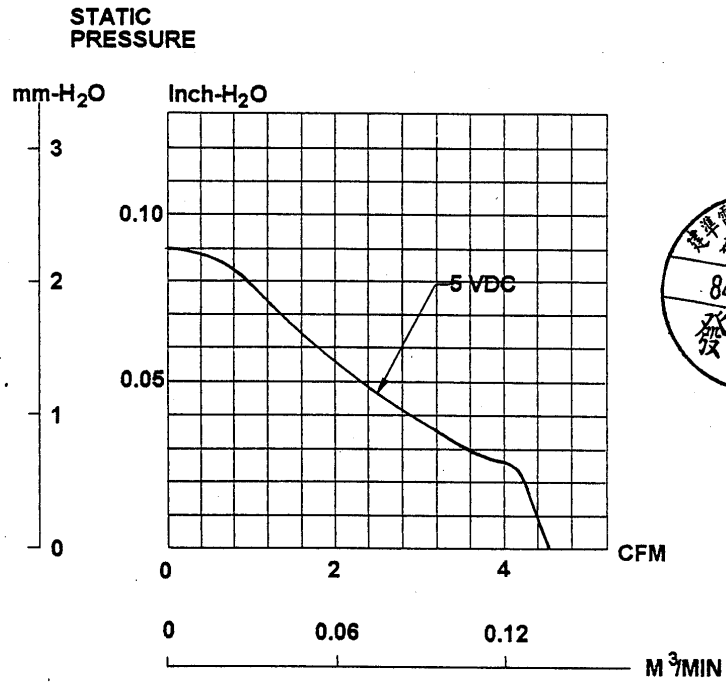
|                              |   |                                  |
|------------------------------|---|----------------------------------|
| 1-1. Rated Voltage           | : | 5 VDC                            |
| 1-2. Operating Voltage Range | : | 4-6 VDC                          |
| 1-3. Starting Voltage        | : | 4 VDC                            |
| 1-4. Rated Speed             | : | 4500 RPM±1000 RPM                |
| 1-5. Air Delivery            | : | 4.5 CFM                          |
| 1-6. Static Pressure         | : | 0.09 Inch-H <sub>2</sub> O       |
| 1-7. Rated Current           | : | 0.08 AMP                         |
| 1-8. Rated Power             | : | 0.4 WATTS                        |
| 1-9. Noise Level             | : | 22.8 dB(A)                       |
| 1-10. Direction of Rotation  | : | Clockwies viewed from front face |
| 1-11. Operating Temperature  | : | -10 to +70 Deg.C                 |
| 1-12. Storage Temperature    | : | -40 to +80 Deg.C                 |
| 1-13. Bearing System         | : | Lubricated sleeve bearing system |
| 1-14. Weight                 | : | 20g                              |
| 1-15. Safety                 | : | UL/CUR Approvals                 |



|  |            |              |             |   |
|--|------------|--------------|-------------|---|
| 建準電機工業股份有限公司<br>SUNONWEALTH ELECTRIC<br>MACHINE INDUSTRY CO., LTD. | SPEC. NO.  | 042358300    | REVISE DATE |   |
|  | ISSUE DATE | 12. 16. 1995 | EDITION     | 0 |
|  | PAGE       | 3 OF 5       |             |   |

MODEL: KDE0504PFS3-8

PERFORMANCE CURVES

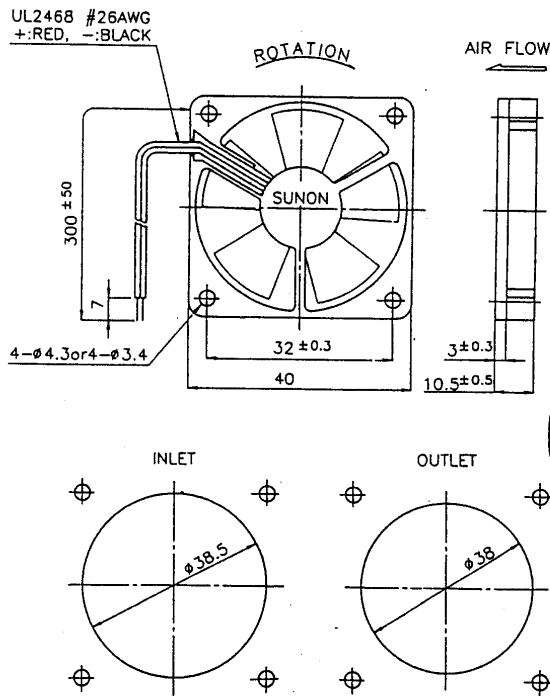


|  |            |              |             |   |
|--|------------|--------------|-------------|---|
| 建準電機工業股份有限公司<br>SUNONWEALTH ELECTRIC<br>MACHINE INDUSTRY CO., LTD. | SPEC. NO.  | 042358300    | REVISE DATE |   |
|  | ISSUE DATE | 12. 16. 1995 | EDITION     | 0 |
|  | PAGE       | 4 OF 5       |             |   |

**MATERIAL**

- 2-1. Frame : Thermoplastic PBT of UL 94V-0
- 2-2. Impeller : Thermoplastic PBT of UL 94V-0
- 2-3. Bobbin : Thermoplastic PBT of UL 94V-0
- 2-4. Lead Wire : UL2468, 26AWG, +:RED ; -:BLACK

**DIMENSIONS**



UNIT : mm

|  |            |              |             |   |
|--|------------|--------------|-------------|---|
| 建準電機工業股份有限公司<br>SUNONWEALTH ELECTRIC<br>MACHINE INDUSTRY CO., LTD. | SPEC. NO.  | 042358300    | REVISE DATE |   |
|  | ISSUE DATE | 12. 16. 1995 | EDITION     | 0 |
|  | PAGE       | 5 OF 5       |             |   |