

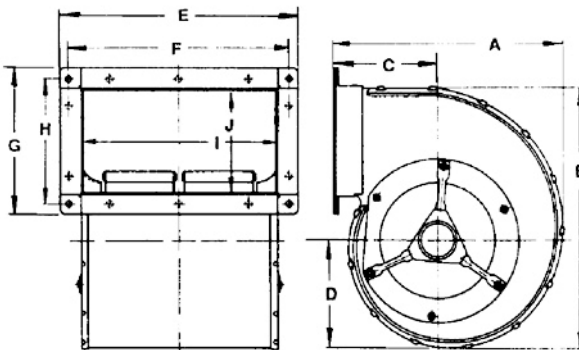


D1G133 Series Centrifugal Blower

Ø 133mm

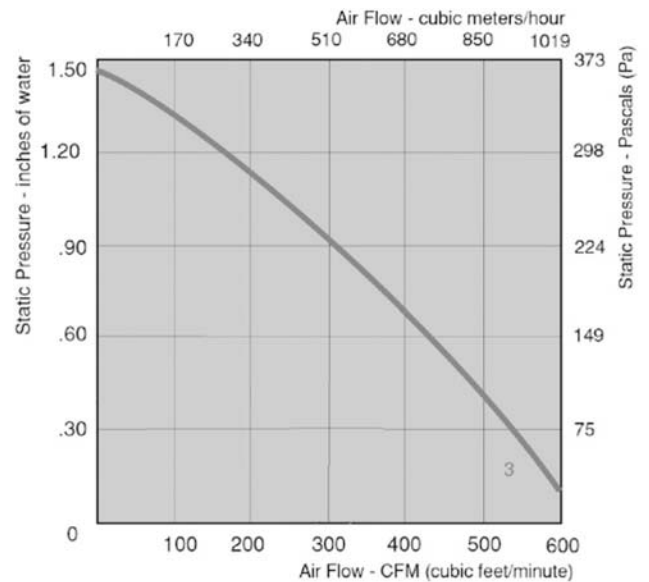
- DC dual inlet, forward curved centrifugal blower. Reverse polarity and locked-rotor protection.
- Includes support bearing. An Integrated external-rotor motor with rotating shaft on rotor side is anti-vibration mounted via a third bearing and fixed on both sides of the scroll.
- Housing and impeller made of galvanised sheet-steel. Forward curved impellers are directly press-fitted onto the rotor of the external-rotor motor.
- UL, CSA, VDE approvals on some models, please contact application engineering.
- Direction of rotation is CW as seen on rotor.

Part Number	CFM @ 0	Curve	Volts	Voltage Range	Power (W)	dBA	Max Ambient Temp C	Wgt. (lbs)	Type Of Bearing	Features
D1G133-DC17-09	656	3	48	36 to 56	115	60	50	7.00	Ball	No Flange



DIMENSIONS - Inches (mm)

PART NUMBER	A	B	C	D	E	F	G	H	I	J
D3G133-AB	6.73 (171)	7.09 (180)	3.46 (88)	3.11 (79)	10.00 (254)	9.37 (238)	4.25 (108)	3.62 (92)	8.46 (215)	2.72 (69)
D3G133-DB/DC	8.03 (204)	8.39 (213)	3.82 (97)	3.66 (93)	-	-	-	-	9.13 (232)	4.02 (102)



e-mail: sales@ebm.com • TEL: 860-674-1515 • FAX: 860-674-8536
 ebm Industries, Inc., 100 Hyde Road, Farmington, CT 06034 USA

ebm Industries, Inc., 2003 © ebm Industries, Inc. reserves the right to change any specifications or data without notice