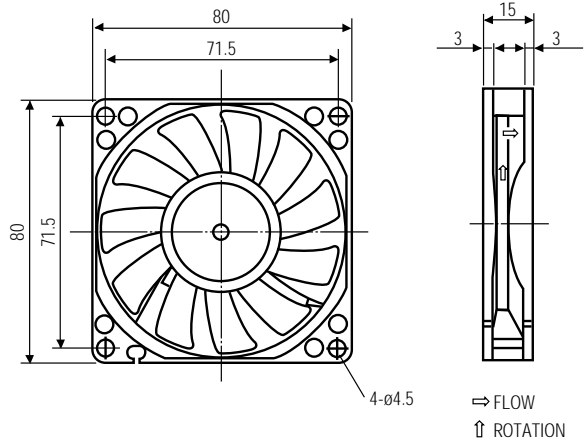
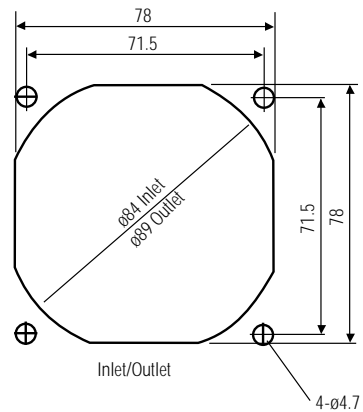


FBA08T (80mm Thin)



CUT OUT

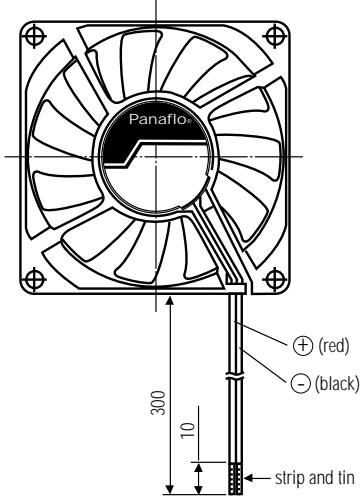


Features

- Operating Temperature: -10°C — +70°C (65% RH)
- Storage Temperature: -40°C — +75°C (65% RH)
- Bearing Type: Hydro Wave
- Aerodynamic blade and venturi design
- Locked rotor protection and auto-start function
- Lower circuit noise by new IC
- Optional third wire lead signal (Locked rotor alarm sensor)

Basic Data (nominal at room temperature)

| | Rated Voltage (V) | Operating Voltage (V) | Rated Current (mA) | Rated Input (W) | Nominal Speed (r/min) | Maximum Air Flow | | Maximum Air Pressure | | Noise (dB-A) |
|-----------|-------------------|-----------------------|--------------------|-----------------|-----------------------|------------------|-------|----------------------|------|--------------|
| | | | | | | (m3/min) | (CFM) | (mmH2O) | (Pa) | |
| FBA08T12L | 12 | 7—13.8 | 79 | 0.95 | 2000 | 0.62 | 21.9 | 1.55 | 15.2 | 23.0 |
| FBA08T12H | 12 | 7—13.8 | 200 | 2.40 | 3100 | 0.95 | 33.5 | 3.20 | 31.4 | 34.0 |
| FBA08T24L | 24 | 14—27.6 | 47 | 1.13 | 2000 | 0.62 | 21.9 | 1.55 | 15.2 | 23.0 |
| FBA08T24H | 24 | 14—27.6 | 110 | 2.64 | 3100 | 0.95 | 33.5 | 3.20 | 31.4 | 34.0 |



All dimensions in mm.

Lead Wire

All lead wires are 325 mm in length \pm 15 mm.

Housing and Fan Blade: Plastic (PET, PBT, ABS)

Size

80.0 x 80.0 x 15.0
(3.15 x 3.15 x 0.59)

Weight

70 grams (2.47 ounces)

Case Quantity

100 per box

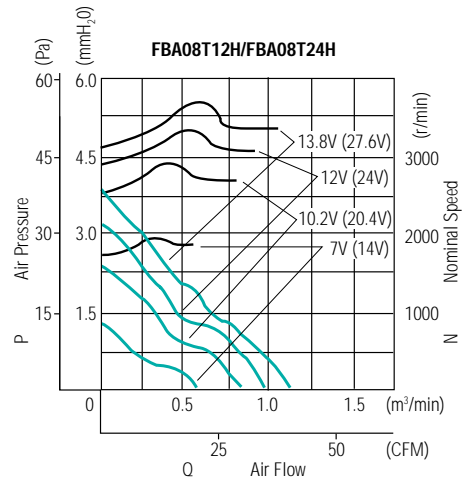
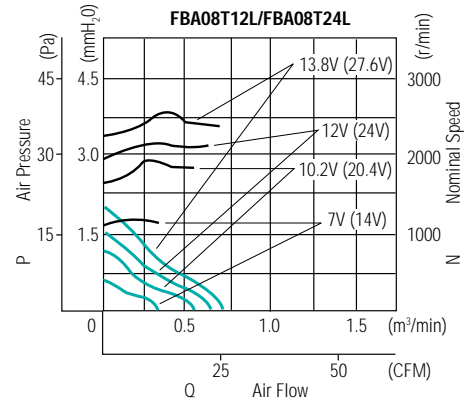
Conversion Factors

1 mm H₂O = 9.8 PA

1 m³/min = 35.313 CFM

FBA08T (80mm Thin)

Characteristics



— P—Q
— N—Q