



**Patriot - PQ48B7 - 031235 - No**  
 (Family) (Model) (Part #) (In Stock)

## Electrical Specifications

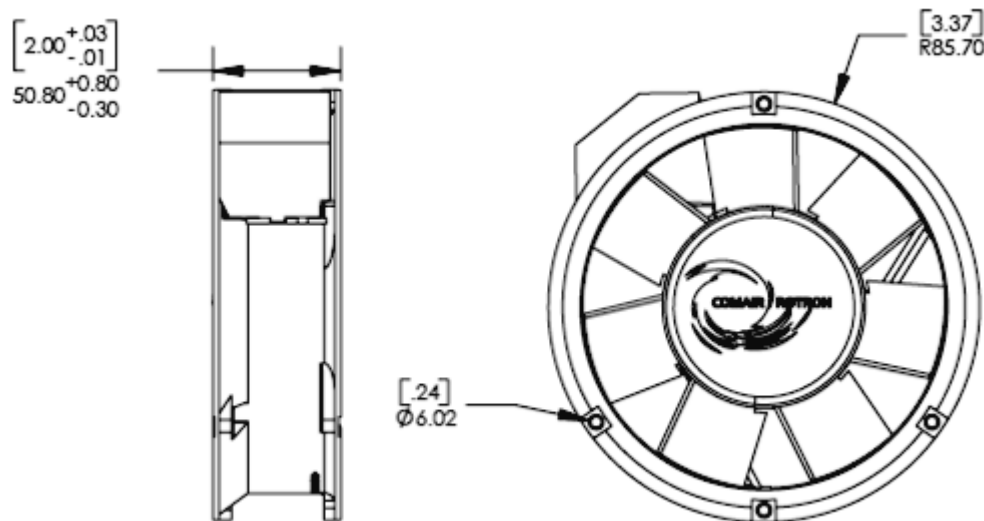
Operating Voltage:	48 Volts
Voltage Range:	24 - 56 Volts
Power Supply:	22.0 Watts
Line Current:	0.46 Amps
Locked Rotor Current	1.00 Amps
Nominal Speed:	3475 RPM

## Mechanical Specifications

Dimensions:	6.8 x 6.8 x 2.0 in
Weight	29.64 oz
Max Airflow @ 0 in H <sub>2</sub> O	235.0 CFM
Max Pressure @ 0 CFM	0.769 in H <sub>2</sub> O
Noise	51.2 dBA



## Mechanical Drawing



Comair Rotron, Inc.  
 Phone: 619.651.2000  
[sales@comairrotron.com](mailto:sales@comairrotron.com)

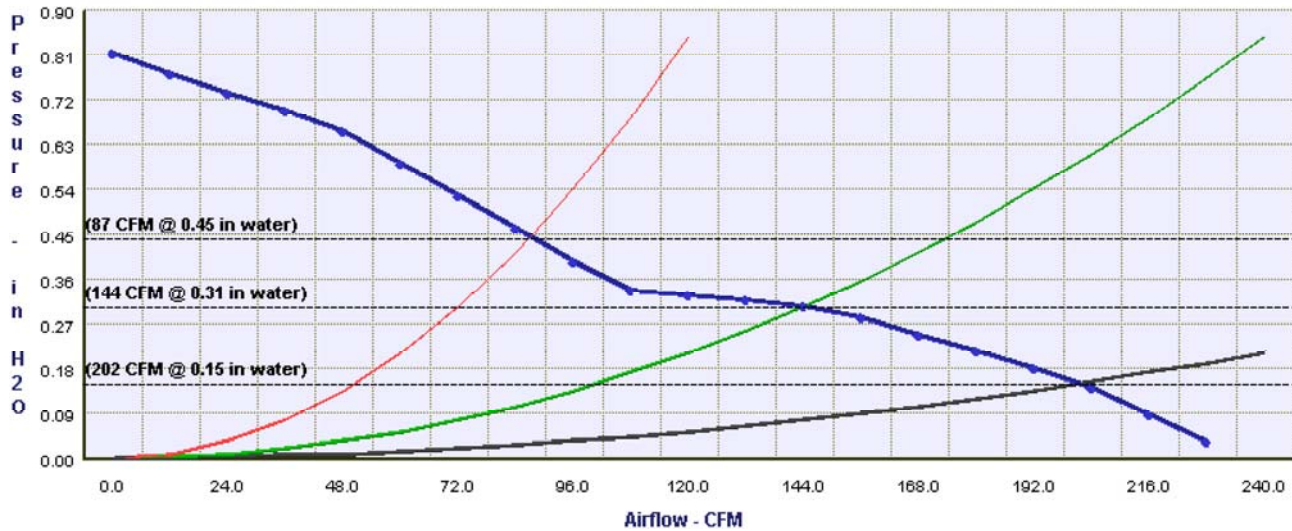
Comair Rotron Europe, Ltd.  
 Phone: +44.1527.520525  
[saleseurope@comairrotron.com](mailto:saleseurope@comairrotron.com)

Comair Rotron Fan Company Ltd.  
 Phone: +86.21.52260581  
[salesasia@comairrotron.com](mailto:salesasia@comairrotron.com)

Print Date: Tuesday, August 31, 2010 at 11:50:01 - DC Fan Datasheet - Web Version 1.0 Rev. B



## Fan Performance Curve



## Fan Configuration Options

**Patriot** (Family)    **PQ48B7 / 031235** (Model)    **No** (In Stock)    **305 mm [12 inch] Leads** (Features)

Fan Speed: 3475 RPM    Fan Bearings: Ball Bearings  
Fan Airflow Direction: Flow R (CCW Rotation)    Fan Termination: Leads

Fan Monitoring Options: TTL (+5V) Tachometer Output

Fan Speed Control Option: No ThermaPro-V Fan Speed Control Options Selected

Environmental Protection Options: No Enviroschild Options Selected

Comair Rotron, Inc.  
Phone: 619.651.2000  
sales@comairrotron.com

Comair Rotron Europe, Ltd.  
Phone: +44.1527.520525  
saleseurope@comairrotron.com

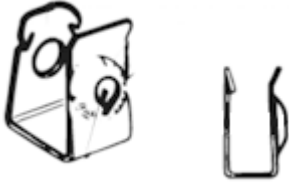
Comair Rotron Fan Company Ltd.  
Phone: +86.21.52260581  
salesasia@comairrotron.com

Print Date: Tuesday, August 31, 2010 at 11:50:01 - DC Fan Datasheet - Web Version 1.0 Rev. B

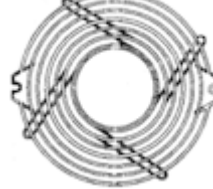


## Accessories [\(Click on part number for detailed drawing.\)](#)

- 477663**  
**Mounting Clip**



- 551199**  
**Finger Guard**



**Comair Rotron, Inc.**  
Phone: 619.651.2000  
sales@comairrotron.com

**Comair Rotron Europe, Ltd.**  
Phone: +44.1527.520525  
saleseurope@comairrotron.com

**Comair Rotron Fan Company Ltd.**  
Phone: +86.21.52260581  
salesasia@comairrotron.com

Print Date: Tuesday, August 31, 2010 at 11:50:01 - DC Fan Datasheet - Web Version 1.0 Rev. B