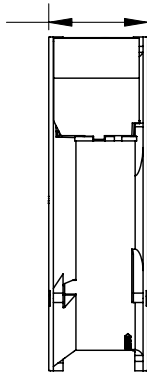
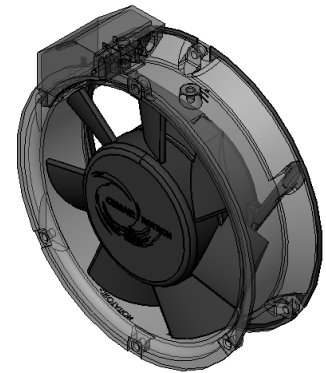
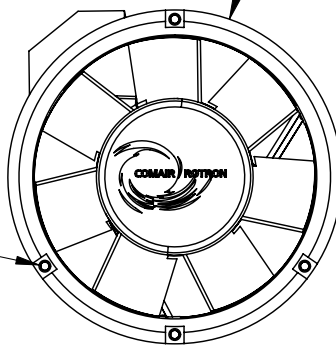


[2.00^{+0.03}
-.01]
50.80^{+0.80}
-0.30



[3.37]
R85.70

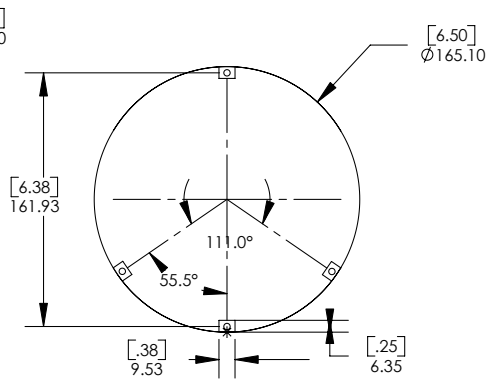
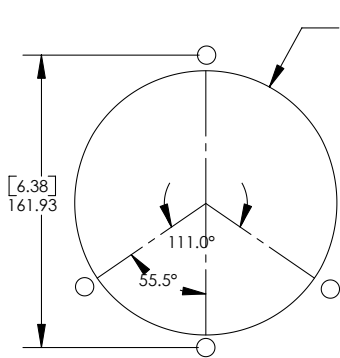
[.24]
Ø6.02



RECOMMENDED CUTOUTS

INLET (PROP) SIDE

EXHAUST (SPIDER) SIDE



CONTACT INFO: WWW.COMAIRROTRON.COM		SALES@COMAIRROTRON.COM
TOLERANCE UNLESS OTHERWISE SPECIFIED 2 PL. DEC. ± 0.03 [.8] 3 PL. DEC. ± 0.10 [25] ANGULAR ± 30°	AMERICAN PROJECTION [EN] [MM]	(619) 661 - 6688 3D MODEL FOUND AT..
PATRIOT DC		